



PARTS CATALOG

Published

2010/8 (Aug.)

0CNP4-G32200

Directions for the Parts Catalog.

1. The parts stipulated in this Parts Catalog are not necessarily standard equipped parts.
2. Parts may change without prior notice.
3. The following is an example of the Parts Catalog format.

REF.	LEV.	PARTS NO.	DESCRIPTION	Q'TY						I	R
				(A)	(B)	(C)	(D)	(E)	(F)		
1	1	729595-51390	FUEL INJECTION PUMP	1	1	1	1	1			1
1-1	1	729595-51391	FUEL INJECTION PUMP	1	1	1	1	1		N	1
		(A=E00185) (B=E00200)									
3	2	26022-060162	SCREW M 6X 16	9	9	9	9	9			
3-1	2	26022-060162	SCREW M 6X 16	4	4	4	4	4		K	
		(A=E00156) (B=E00156) (C=E00156) (D=E00156) (E=E00156)									
4	2	129470-51040	CAMSHAFT	1	1	1	1	1			
5	2	122710-51050	BEARING, ROLLER	2	2	2	2	2			
6	2	129470-51060	RETAINER	1	1	1	1	1			

Remarks
(1) BOOST COMPEMSATOR TYPE. OPTIONAL PART, TO E00155,(4JH-DT, 4JH-DTZ

① Ref. No.

The Ref. No. listed may not be in accordance with the illustration Ref. No.

(Ex.) Illustration No.

List Ref No.

1

1

(Before change)

1-1

(After change)

For interchangeable symbols N, R and K, illustrations for new parts may be abbreviated.

② Lev. (Level)

Level indication

The numbers below indicate the level of relativity towards the main part.

1 ----- Main parts (Assembly parts)

2 ----- Sub component included in " 1 ".

3 ----- Sub component included in " 2 ".

Note) Parts that are not for sale are partially illustrated but not listed.

③ Interchangeability Mark

When a part change takes place, one of the following interchangeability symbols is indicated beside the part.

Symbol	Interchangeability	Contents note
N	Old $\begin{matrix} \leftarrow \text{Yes} \\ \text{No} \rightarrow \end{matrix}$ New	New Part is interchangeable for Old Part but Old Part is not interchangeable for New Part.
Q	Old $\begin{matrix} \leftarrow \text{No} \\ \text{Yes} \rightarrow \end{matrix}$ New	New Part is not interchangeable for Old Part but Old Part is interchangeable for New Part.
R	Old $\begin{matrix} \leftarrow \text{Yes} \\ \text{Yes} \rightarrow \end{matrix}$ New	New/ Old Parts are both interchangeable.
S	Old $\begin{matrix} \leftarrow \text{No} \\ \text{No} \rightarrow \end{matrix}$ New	New/ Old Parts are both not interchangeable.
W		Part newly added.
Z		Part discontinued.
F		Not interchangeable by a single part but interchangeable together with related parts.
K		Changes only for used parts quantities.

④ Effective Machine No.

When a part changes, the effective Machine No. will be indicated in the (A)-(F) column.

Product Symbol	Product No.	Product Symbol	Product No.
C	Clutch No. Compressor No.	F	Machine No. (Agricultural Equip.)
D	Drive No.	M	Machine No.
E	Engine No.		

Note 1) A date may follow the symbol. (Ex.) 1996.01

Note 2) "XXXXX" and "ZZZZZ" are for parts that could not be predicted or for engine models that could not be identified.

Note 3) (A=E00185) is the E (Engine Serial Number) for the column (A) model (in this case 4JH-DT) after the parts design change.

⑤ Remarks Mark

Figures or alphabets (symbols) are entered in the remarks column.

The comments (remarks) on parts that are indicated at the bottom of the illustration are the same symbols as those stated above.

CONTENTS

MODEL : EF227EH-235EH
PC NO : 0CNP4-G32200

Fig.No.	GROUP NAME
ENGINE CONTROL SECTION	
1.	ENGINE ACCESSORIES
2.	HEATER ACCESSORIES
3.	ACCEL LEVER
4.	EXHAUST
5.	FUEL TANK
6.	FUEL PIPE
7.	FUEL PIPE
8.	AIR CLEANER
FRONT AXLE SECTION	
9.	FRONT BRACKET
10.	CENTER PIN SUPPORT
11.	WEIGHT LOCK PIN
12.	FRONT HITCH
13.	TIE ROD
14.	RING GEAR
15.	DIFFERENTIAL GEAR
16.	PROPELLER SHAFT
17.	FRONT SHAFT (1
18.	FRONT AXLE CASE
19.	FRONT GEAR CASE
20.	FRONT SPINDLE
21.	FRONT WHEEL TIRE
22.	STEERING
23.	P.S.T. CYLINDER
24.	P.S.T. VALVE
25.	P.S.T. PIPING

Fig.No.	GROUP NAME
TRANSMISSION SECTION	
26.	CLUTCH HOUSING
27.	COUPLING & CLUTCH SHAFT
28.	TRANSMISSION CASE
29.	CENTER PLATE
30.	REDUCTION SHAFT
31.	COUNTER SHAFT
32.	P.T.O. CLUTCH
33.	P.T.O. DRIVE SHAFT
34.	P.T.O. SHAFT
35.	MID P.T.O.
36.	CLUTCH LINK
37.	CLUTCH LEVER
38.	LEVER BRACKET(RIGHT)
39.	SUB CHANGE SHIFT
40.	CHANGE LINK
41.	P.T.O. SHIFT
42.	SUB CHANGE LEVER & P.T.O.LEVER
43.	FRONT DRIVE
44.	HIGH-GRIP VALVE
45.	H.S.T.
46.	H.S.T. PEDAL
47.	H.S.T. CRUISE A
48.	H.S.T. LINK
49.	H.S.T. CRUISE B
REAR AXLE SECTION	
50.	RING GEAR & DIFFERENTIAL GEAR
51.	REAR HOUSING
52.	DIFFERENTIAL LOCK

CONTENTS

MODEL : EF227EH-235EH
PC NO : 0CNP4-G32200

Fig.No. GROUP NAME

- 53. FINAL PINION & FINAL GEAR
- 54. REAR AXLE SHAFT
- 55. REAR WHEEL TIRE
- 56. BRAKE
- 57. PEDAL
- 58. BRAKE LINK
- 59. PARKING BRAKE

HYDRAULIC CONTROL SECTION

- 60. HYDRAULIC PUMP
- 61. HYDRAULIC CYLINDER CASE
- 62. PISTON & LIFT CRANK
- 63. CONTROL VALVE
- 64. RELIEF VALVE
- 65. SUB VALVE
- 66. S.C.V. PIPING
- 67. S.C.V. CONTROL
- 68. HYDRAULIC CONTROL
- 69. HYDRAULIC PIPING
- 70. OIL COOLER
- 71. H.S.T. PIPING

ELECTRICAL PARTS SECTION

- 72. WIRE HARNESS(FLOOR)
- 73. WIRE HARNESS(FLOOR(CABIN))
- 74. WIRE HARNESS(TRANSMISSION)
- 75. SWITCHES
- 76. LAMPS
- 77. LAMP(CABIN)
- 78. LICENCE

Fig.No. GROUP NAME

- 79. METER
- 80. HORN
- 81. TRAILER COUPLER

FITTINGS SECTION

- 82. HOOD
- 83. SIDE COVER
- 84. DASHBOARD
- 85. FENDER
- 86. LEVER GUIDE
- 87. FLOOR COVER
- 88. OVER FENDER
- 89. FLOOR
- 90. OPERATOR SEAT
- 91. BACK MIRROR
- 92. LABELS
- 93. LABELS(SAFETY)

HITCH SECTION

- 94. TOP LINK
- 95. LIFT LINK R
- 96. LIFT LINK
- 97. LOWER LINK & CHECK CHAIN
- 98. DRAWBAR HITCH
- 99. CONTROL BOX

CABIN SECTION

- 100. CABIN FRAME
- 101. DOOR
- 102. FRONT WINDOW

CONTENTS

MODEL : EF227EH-235EH

PC NO : 0CNP4-G32200

Fig.No. GROUP NAME

- 103. REAR WINDOW
- 104. INTERIORS
- 105. CABIN SEAL
- 106. SAFETY FRAME(REAR)
- 107. SAFETY FRAME(FRONT)
- 108. ROOF
- 109. BACK MIRROR
- 110. LABELS(CABIN)
- 111. WIRE HARNESS(CABIN)
- 112. LAMPS
- 113. SWITCHES(CABIN)
- 114. FRONT WIPER
- 115. DUCT
- 116. OUTSIDE AIR INTAKE
- 117. HEATER

Fig.No. GROUP NAME

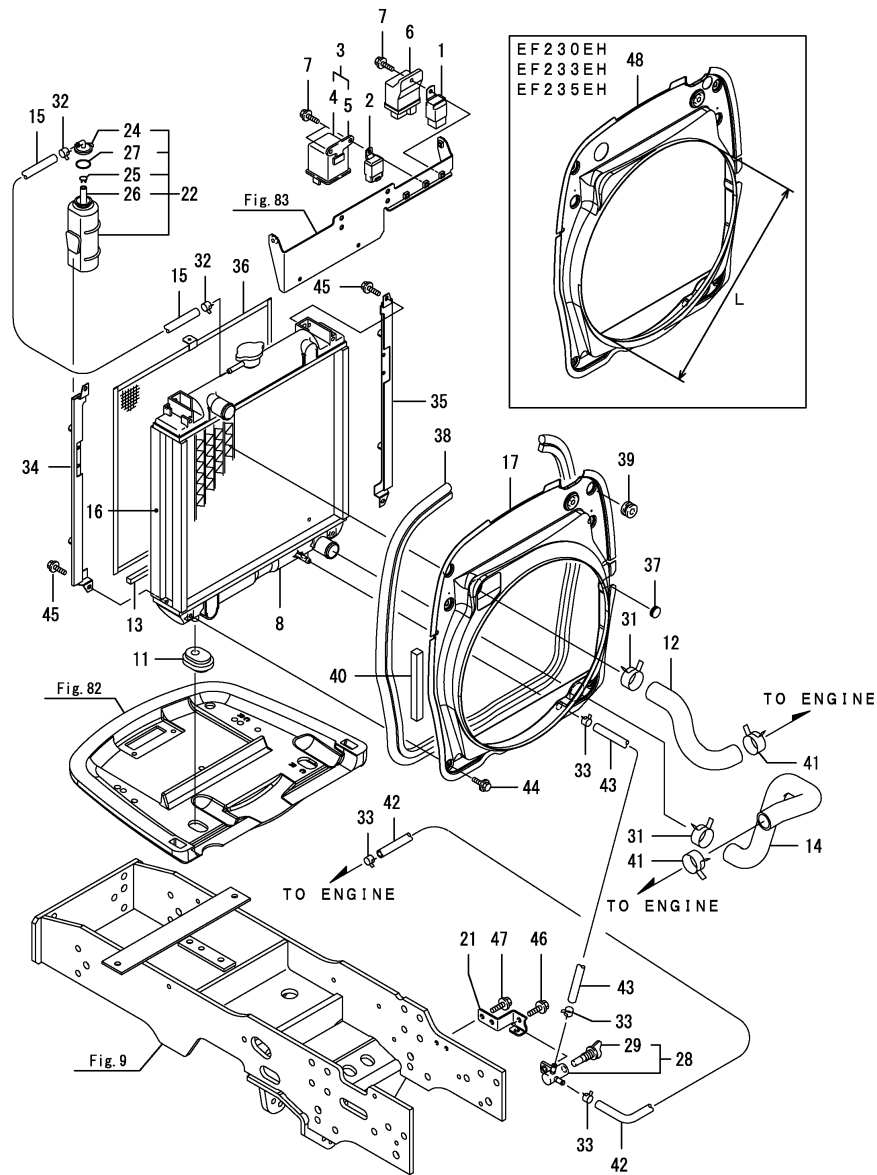
ACCESSORIES SECTION

- 118. ACCESSORIES

OPTIONAL SECTION

- 119. WORKING LAMP
- 120. FUEL HOSE(ROPS
- 121. FUEL HOSE(CABIN

Fig.1. ENGINE ACCESSORIES



OCNP4-G32200 1. ENGINE ACCESSORIES

(A)=EF227EH (D)=EF235EH
 (B)=EF230EH (E)=
 (C)=EF233EH (F)=

REF.	LEV.	PARTS NO.	DESCRIPTION	QTY						I	R
				(A)	(B)	(C)	(D)	(E)	(F)		
1	1	198220-52180	RELAY, STARTER	1	1	1	1				
2	1	198461-52950	RELAY CA,TYPE C	1	1	1	1				
3	1	119650-77910	RELAY, GROW	1	1	1	1				
4	2	129052-77920	BODY, RELAY	1	1	1	1				
5	2	119650-77930	BRACKET, RELAY	1	1	1	1				
6	1	119852-77910	CONTROLLER,QHS	1	1	1	1				
7	1	26106-060162	BOLT M 6X 16 PLATED	3	3	3	3				
8	1	129055-44501	RADIATOR ASSY	1	1	1	1				
11	1	198200-00610	RUBBER, ABSORBER	2	2	2	2				
12	1	198204-01410	HOSE, COOLING WATER	1	1	1	1				
13	1	198200-01440	SEAL,RADIATOR	2	2	2	2				
14	1	198208-01451	HOSE, COOLING WATER	1	1	1	1				
15	1	198280-01470	PIPE,WATER DRAIN	1	1	1	1				
16	1	198208-01480	URETHANE FOAM,RADIAT	2	2	2	2				
17	1	198204-01510	SHROUD ASSY, FAN	1							
21	1	198200-11351	STAY ASSY, FILTER	1	1	1	1				
22	1	129263-44510	TANK ASSY, SUB	1	1	1	1				
24	2	121450-44531	CAP	1	1	1	1				
25	2	124450-44560	CLAMP	1	1	1	1				
26	2	23065-070180	PIPE 7X 180	1	1	1	1				
27	2	121470-44581	GASKET	1	1	1	1				
28	1	129150-49101	COCK ASSY, 3-WAY	1	1	1	1				
29	2	129150-49081	COCK, DRAIN	1	1	1	1				
31	1	175022-49730	CRIP 31, HOSE	2	2	2	2				
32	1	124766-59050	CLAMP 12	2	2	2	2				
33	1	124766-59050	CLAMP 12	4	4	4	4				
34	1	198280-60710	GUIDE ASSY, SCREEN L	1	1	1	1				
35	1	198280-60750	GUIDE ASSY, SCREEN R	1	1	1	1				
36	1	198206-60950	SCREEN, RADIATOR	1	1	1	1				
37	1	198448-61620	CAP,	1	1	1	1				
38	1	198200-61950	WEATHER-STRIP, A	1	1	1	1				
39	1	194180-61980	GROMMET 24	1	1	1	1				
40	1	198200-61980	SEAL, RADIATOR LH	1	1	1	1				
41	1	23000-035000	CLAMP 35	2	2	2	2				
42	1	23980-730250	HOSE 7.3X800 BRAIDED	1	1	1	1				
43	1	23980-730510	HOSE, 7.3 X 510	1	1	1	1				
44	1	26106-060122	BOLT M 6X 12 PLATED	4	4	4	4				
45	1	26106-060122	BOLT M 6X 12 PLATED	4	4	4	4				
46	1	26106-080162	BOLT M 8X 16 PLATED	1	1	1	1				
47	1	26106-080162	BOLT M 8X 16 PLATED	2	2	2	2				
48	1	198208-01510	SHROUD ASSY, FAN	1	1	1	1				
48-1	1	198282-01510	SHROUD ASSY, FAN	1	1	1	1				S 1

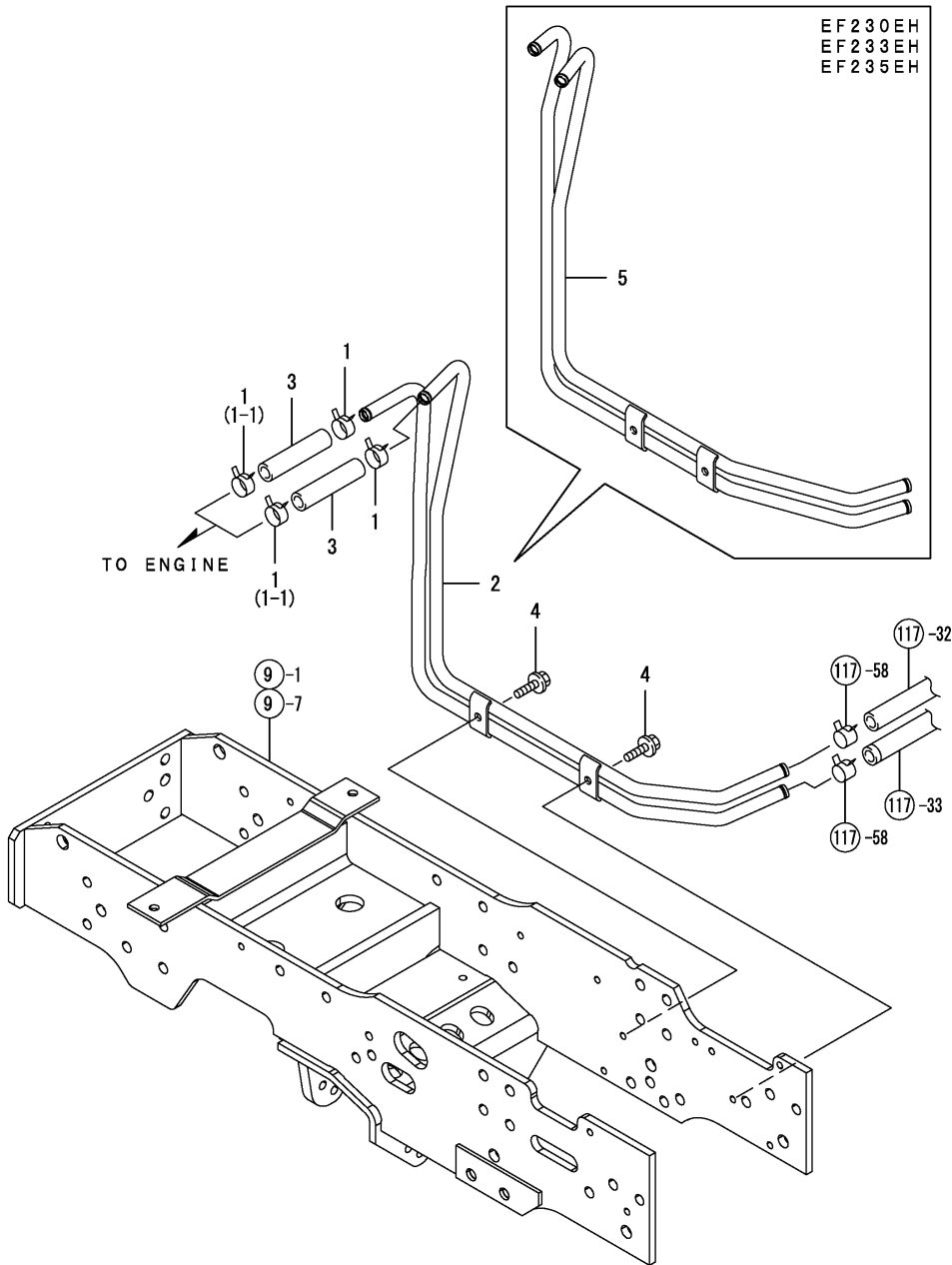
(B=F110119) (C=F110010) (D=F110140)

Remarks
 Please refer to [main unit and engine
 correspondence table] for loaded
 engine.
 (1)L=Ref.No.48 397.5M/M,48-1 377M/M.

Fig.2. HEATER ACCESSORIES

(A)=EF227EH
(B)=EF230EH
(C)=EF233EH

(D)=EF235EH
(E)=
(F)=



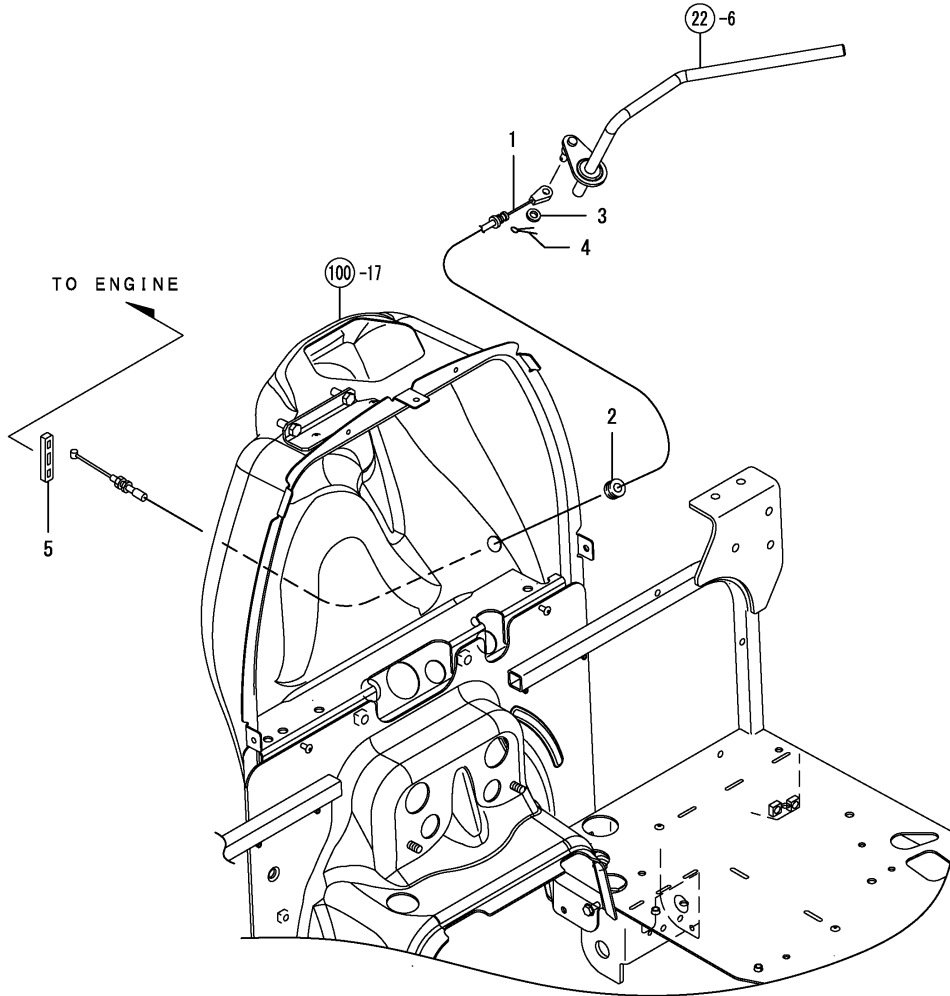
REF.	LEV.	PARTS NO.	DESCRIPTION	Q'TY						I	R
				(A)	(B)	(C)	(D)	(E)	(F)		
1	1	1A7030-88710	CLIP,HOSE	4	4	4	4				
1-1	1	23000-019000	CLAMP 19	2	2	2	2				N
		(A=FXXXXXX) (B=FXXXXXX) (C=FXXXXXX) (D=FXXXXXX)									
2	1	198280-89500	PIPE ASSY,HEATER	1							
3	1	198208-89530	HOSE, HEATER	2	2	2	2				
4	1	26106-080302	BOLT M 8X 30 PLATED	2	2	2	2				
5	1	198287-89500	PIPE ASSY,HEATER		1	1	1				

Fig.3. ACCEL LEVER

0CNP4-G32200 3. ACCEL LEVER

(A)=EF227EH
(B)=EF230EH
(C)=EF233EH

(D)=EF235EH
(E)=
(F)=



REF.	LEV.	PARTS NO.	DESCRIPTION	Q'TY						I	R
				(A)	(B)	(C)	(D)	(E)	(F)		
1	1	198200-01150	CABLE, CONTROL	1	1	1	1				
2	1	198071-58810	GROMMET 8	1	1	1	1				
3	1	22137-060000	WASHER 6, POLISHED	1	1	1	1				
4	1	22417-160180	COTTER PIN 1.6X18	1	1	1	1				
5	1	198071-01160	RUBBER, WIRE RETAINING	1	1	1	1				

Fig.4. EXHAUST

0CNP4-G32200 4. EXHAUST

(A)=EF227EH
(B)=EF230EH
(C)=EF233EH

(D)=EF235EH
(E)=
(F)=

REF.	LEV.	PARTS NO.	DESCRIPTION	Q'TY						I	R
				(A)	(B)	(C)	(D)	(E)	(F)		
1	1	198200-03110	PIPE, EXHAUST	1							
2	1	198280-05510	PLATE, SHUTTER	1	1	1	1				
3	1	129052-13550	GASKET,NOZZLE	1	1	1	1				
4	1	194990-22140	NUT W/WASHER 8	2	2	2	2				
5	1	22157-080000	WASHER 8	1	1	1	1				
6	1	26106-080162	BOLT M 8X 16 PLATED	1	1	1	1				
7	1	26106-080252	BOLT M 8X 25 PLATED	2	2	2	2				
8	1	198208-03111	PIPE, EXHAUST	1	1	1					

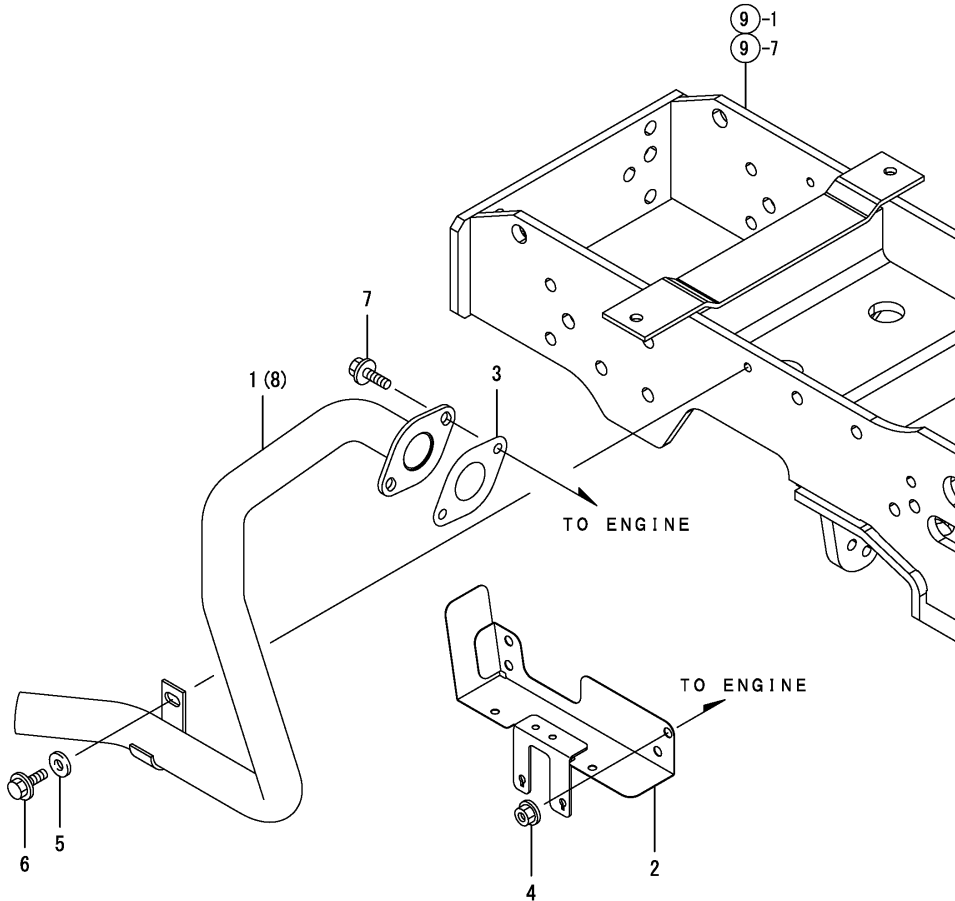
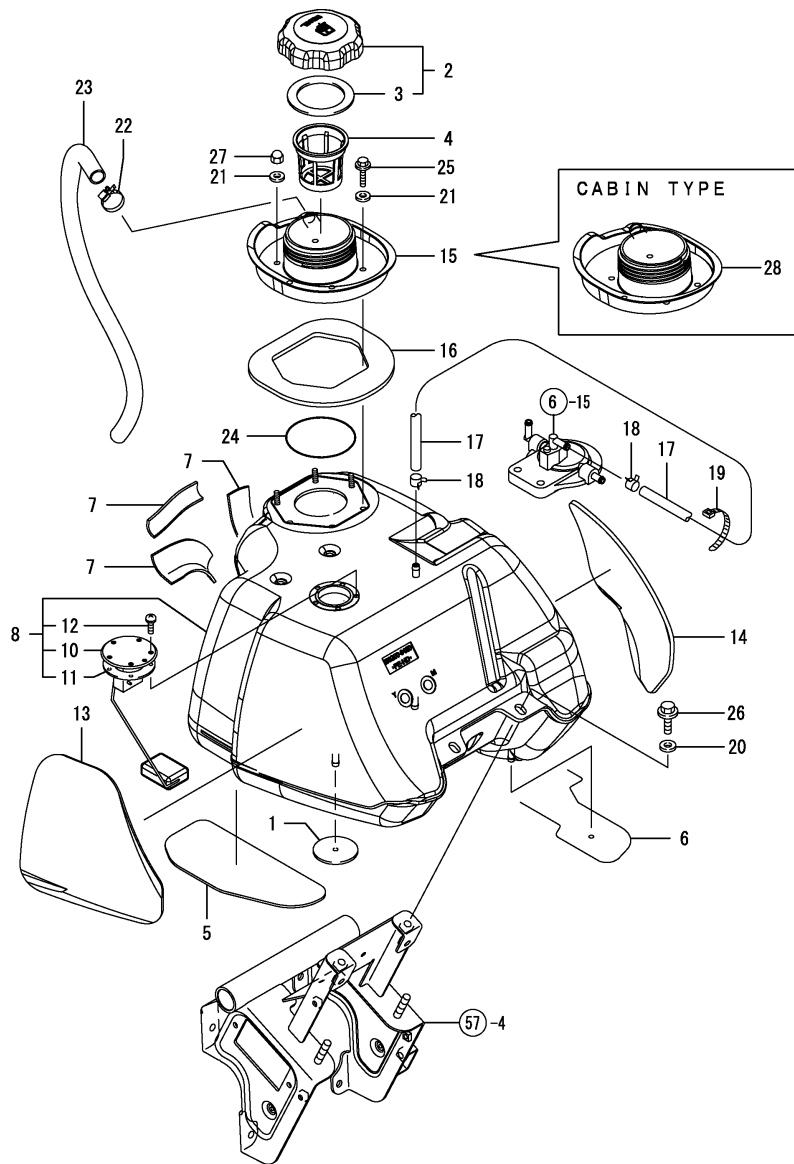


Fig.5. FUEL TANK



Remarks
 (1) FOR TYPE ROPS
 (2) FOR TYPE CABIN

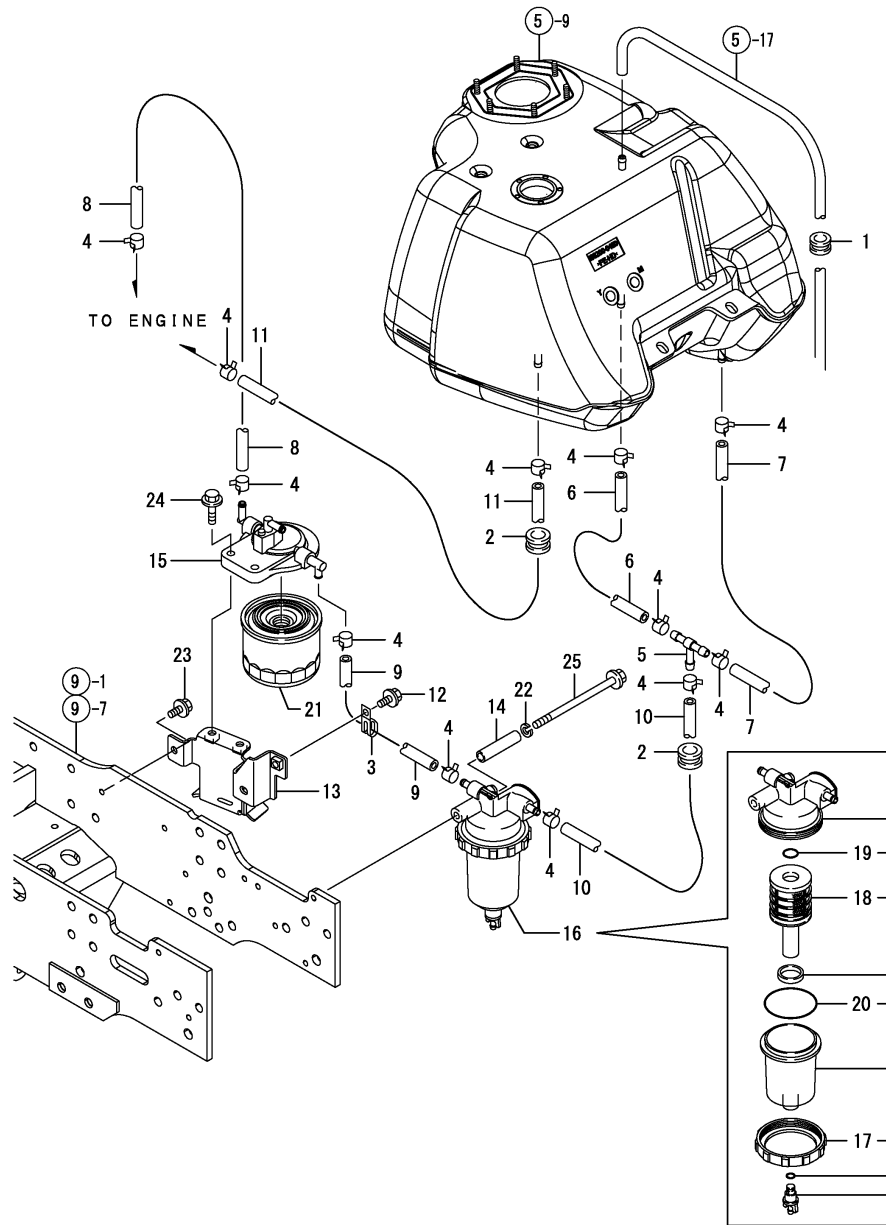
OCNP4-G32200 5. FUEL TANK

(A)=EF227EH
 (B)=EF230EH
 (C)=EF233EH

(D)=EF235EH
 (E)=
 (F)=

REF.	LEV.	PARTS NO.	DESCRIPTION	Q'TY						I	R
				(A)	(B)	(C)	(D)	(E)	(F)		
1	1	198200-04020	INSULATOR,TANK LOWER	1	1	1	1				
2	1	198200-04030	CAP ASSY,FILLER	1	1	1	1				
3	2	198200-04040	GASKET,FILLER CAP	1	1	1	1				
4	1	198200-04061	STRAINER,	1	1	1	1				
5	1	198200-04070	INSULATOLOR,TANK LWR	1	1	1	1				
6	1	198200-04080	INSULATOLOR,TANK LWR	1	1	1	1				
7	1	198200-04090	CUSHION(TANK,F	3	3	3	3				
8	1	198200-04101	TANK ASSY, FUEL	1	1	1	1				
10	2	198200-56600	SENDER UNIT,	1	1	1	1				
11	2	198200-56630	GASKET, FUEL GAUGE	1	1	1	1				
12	2	26022-050102	SCREW M 5X 10	5	5	5	5				
13	1	198200-04120	CUSHION, TANK L	1	1	1	1				
14	1	198200-04130	CUSHION, TANK R	1	1	1	1				
15	1	198200-04210	PAN, DRIP	1	1	1	1				1
16	1	198200-04260	GASKET, DRIP PAN	1	1	1	1				
17	1	198200-04270	HOSE, AIR VENT	1	1	1	1				
18	1	124766-59050	CLAMP 12	2	2	2	2				
19	1	1E6102-84970	BAND 140,WIRE LOCK	1	1	1	1				
20	1	22157-080000	WASHER 8	2	2	2	2				
21	1	22190-060000	SEAL WASHER 6(BOLT)	6	6	6	6				
22	1	23000-019000	CLAMP 19	1	1	1	1				
23	1	23065-160650	PIPE 16X 600	1	1	1	1				
24	1	24311-000850	O-RING 1A P-85.0	1	1	1	1				
25	1	26106-060252	BOLT M 6X 25 PLATED	3	3	3	3				
26	1	26106-080162	BOLT M 8X 16 PLATED	2	2	2	2				
27	1	26657-060002	CAP NUT M 6	3	3	3	3				
28	1	198208-04210	PAN, DRIP	1	1	1	1				2

Fig.6. FUEL PIPE



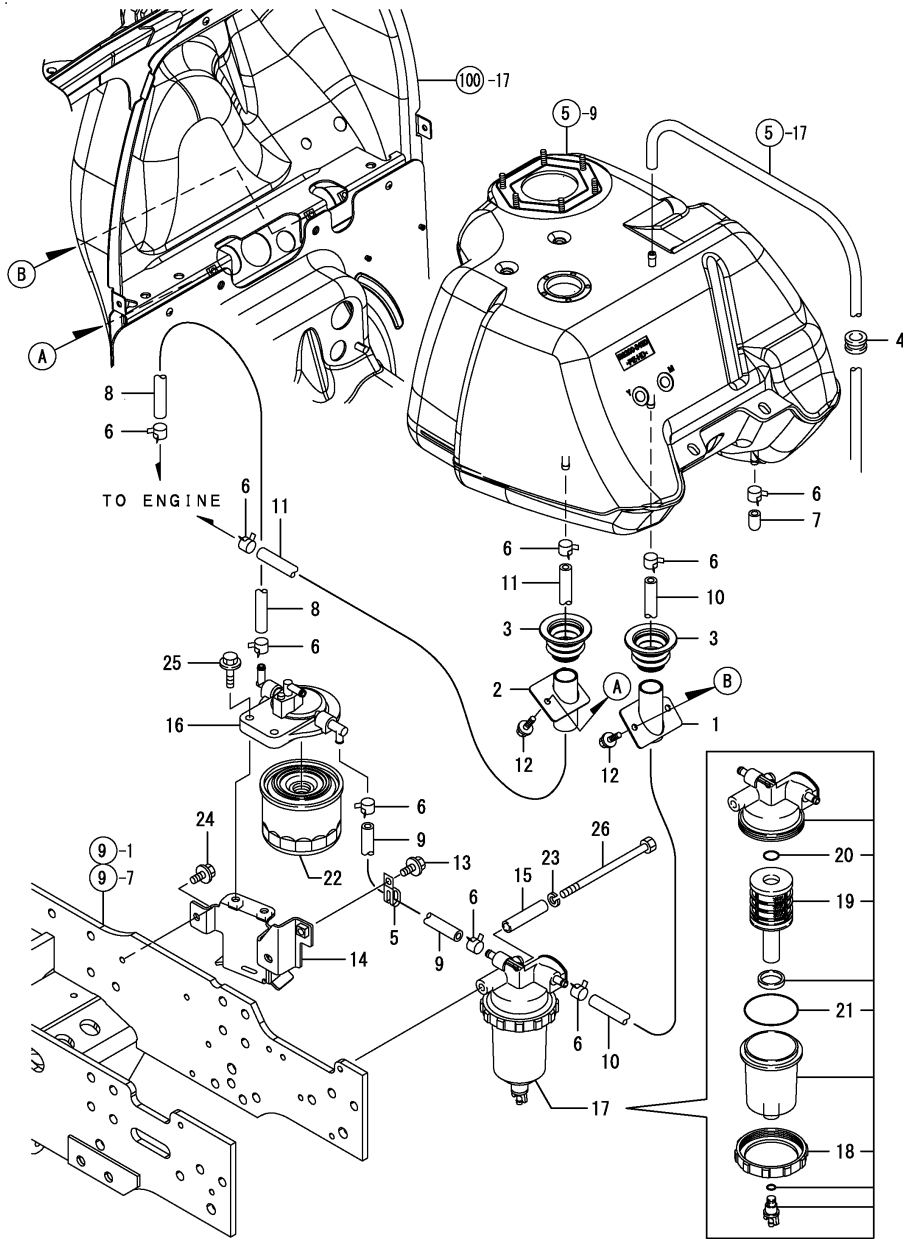
(A)=EF227EH
(B)=EF230EH
(C)=EF233EH

(D)=EF235EH
(E)=
(F)=

REF.	LEV.	PARTS NO.	DESCRIPTION	Q'TY						I	R
				(A)	(B)	(C)	(D)	(E)	(F)		
1	1	1E8050-05510	GROMMET 12X3,SLITTED	1	1	1	1				
2	1	194170-51210	GROMMET 25	2	2	2	2				
3	1	194440-51620	CLAMP, WIRE HARNESS	1	1	1	1				
4	1	124766-59050	CLAMP 12	12	12	12	12				
5	1	119629-59910	JOINT, 3-WAY	1	1	1	1				
6	1	23980-730060	HOSE, 7.3 X 60	1	1	1	1				
7	1	23980-730180	HOSE, 7.3 X 180	1	1	1	1				
8	1	23980-730340	HOSE	1	1	1	1				
9	1	23980-730500	FUEL PIPE 7.3X500	1	1	1	1				
10	1	23980-730500	FUEL PIPE 7.3X500	1	1	1	1				
11	1	23980-730730	HOSE, 7.3X730	1	1	1	1				
12	1	26106-080122	BOLT M 8X 12 PLATED	1	1	1	1				
13	1	198200-11250	STAY ASSY, FILTER	1	1	1	1				
14	1	198280-11370	COLLAR	1	1	1	1				
15	1	119852-55611	BRACKET, FILTER	1	1	1	1				
16	1	119802-55700	SEPARATOR ASSY	1	1	1	1				
17	2	129100-55690	RING, RETAINING	1	1	1	1				
18	2	119802-55710	ELEMENT	1	1	1	1				
19	2	24311-000160	O-RING 1A P-16.0	1	1	1	1				
20	2	24321-000650	O-RING 1A G-65.0	1	1	1	1				
21	1	119802-55800	FILTER, FUEL	1	1	1	1				
22	1	22217-080000	SPRING WASHER 8	1	1	1	1				
23	1	26106-080162	BOLT M 8X 16 PLATED	2	2	2	2				
24	1	26106-080252	BOLT M 8X 25 PLATED	2	2	2	2				
25	1	26116-081302	BOLT M 8X130 PLATED	1	1	1	1				

Remarks
* FIGURE FOR TYPE ROPS

Fig.7. FUEL PIPE



(A)=EF227EH
(B)=EF230EH
(C)=EF233EH

(D)=EF235EH
(E)=
(F)=

REF.	LEV.	PARTS NO.	DESCRIPTION	Q'TY						I	R
				(A)	(B)	(C)	(D)	(E)	(F)		
1	1	198280-04330	COVER ASSY, FUEL A	1	1	1	1				
2	1	198280-04370	COVER ASSY, FUEL B	1	1	1	1				
3	1	198280-04410	GROMMET, FUEL HOSE	2	2	2	2				
4	1	1E8050-05510	GROMMET 12X3,SLITTED	1	1	1	1				
5	1	194440-51620	CLAMP, WIRE HARNESS	1	1	1	1				
6	1	124766-59050	CLAMP 12	9	9	9	9				
7	1	129461-59580	CAP (FO	1	1	1	1				
8	1	23980-730340	HOSE	1	1	1	1				
9	1	23980-730500	FUEL PIPE 7.3X500	1	1	1	1				
10	1	23980-730500	FUEL PIPE 7.3X500	1	1	1	1				
11	1	23980-730730	HOSE, 7.3X730	1	1	1	1				
12	1	26106-060122	BOLT M 6X 12 PLATED	3	3	3	3				
13	1	26106-080122	BOLT M 8X 12 PLATED	1	1	1	1				
14	1	198200-11250	STAY ASSY, FILTER	1	1	1	1				
15	1	198280-11370	COLLAR	1	1	1	1				
16	1	119852-55611	BRACKET, FILTER	1	1	1	1				
17	1	119802-55700	SEPARATOR ASSY	1	1	1	1				
18	2	129100-55690	RING, RETAINING	1	1	1	1				
19	2	119802-55710	ELEMENT	1	1	1	1				
20	2	24311-000160	O-RING 1A P-16.0	1	1	1	1				
21	2	24321-000650	O-RING 1A G-65.0	1	1	1	1				
22	1	119802-55800	FILTER, FUEL	1	1	1	1				
23	1	22217-080000	SPRING WASHER 8	1	1	1	1				
24	1	26106-080162	BOLT M 8X 16 PLATED	2	2	2	2				
25	1	26106-080252	BOLT M 8X 25 PLATED	2	2	2	2				
26	1	26116-081302	BOLT M 8X130 PLATED	1	1	1	1				

Remarks

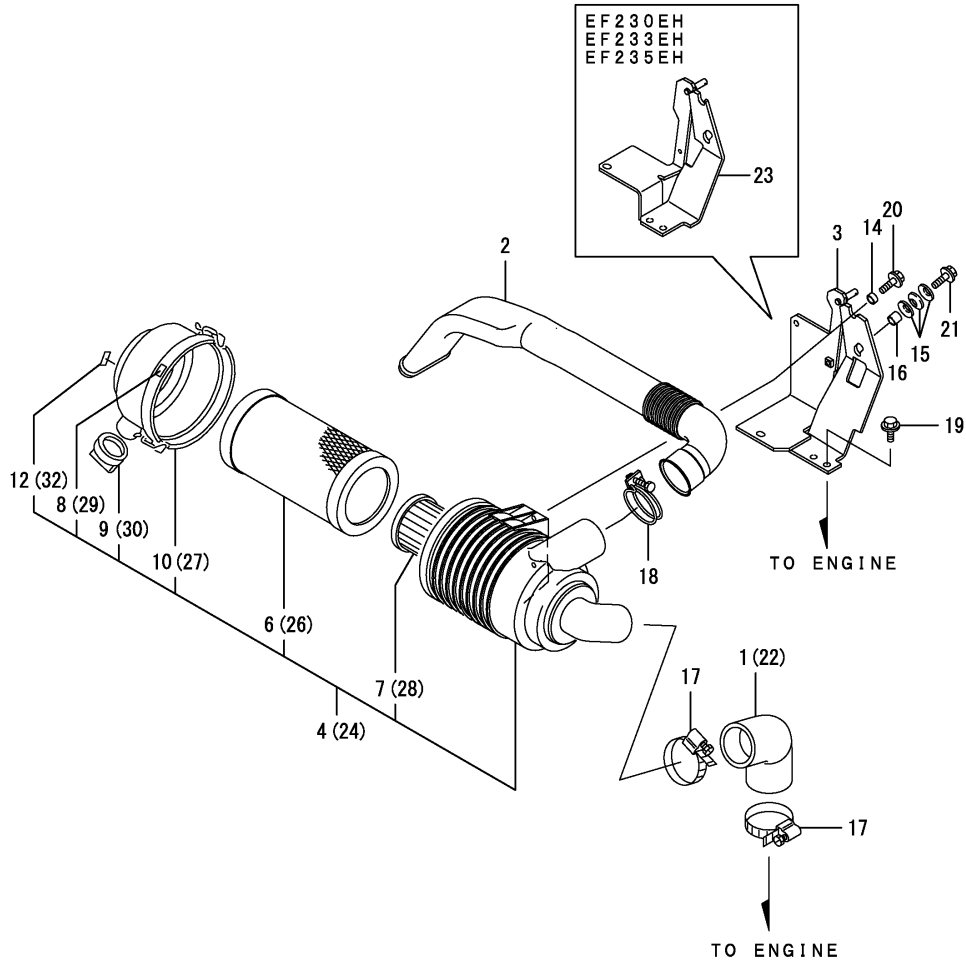
* FIGURE FOR TYPE CABIN

N:Old $\xrightarrow{\text{Yes}}$ New, Q:Old $\xrightarrow{\text{No}}$ New, R:Old $\xrightarrow{\text{Yes}}$ New, S:Old $\xrightarrow{\text{No}}$ New, W:Add, Z:Discontinued, F:Interchangeable by set, K:Q'ty Change

Fig.8. AIR CLEANER

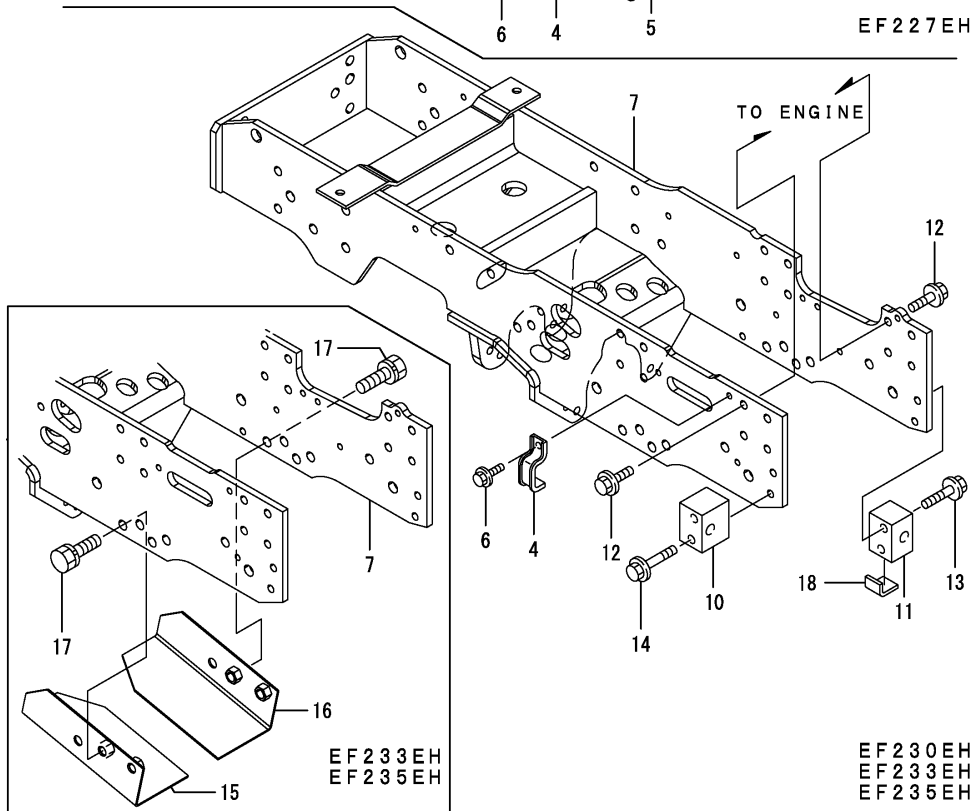
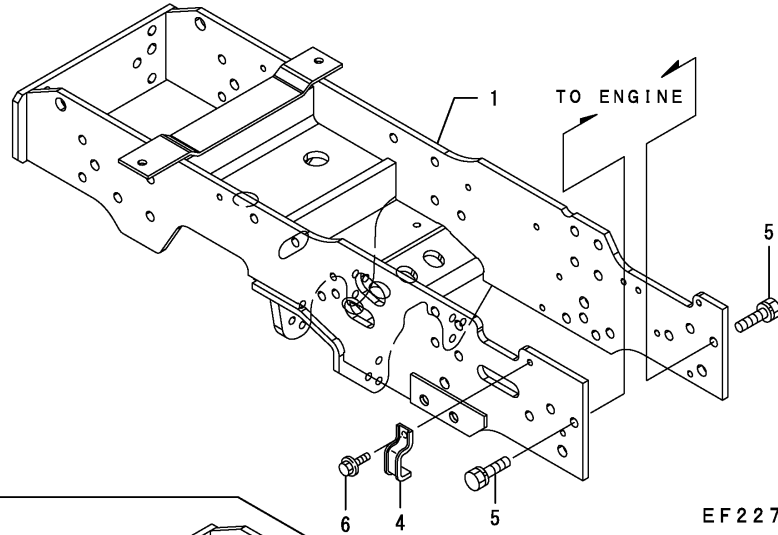
(A)=EF227EH
(B)=EF230EH
(C)=EF233EH

(D)=EF235EH
(E)=
(F)=



REF.	LEV.	PARTS NO.	DESCRIPTION	QTY						I	R
				(A)	(B)	(C)	(D)	(E)	(F)		
1	1	198200-06010	HOSE, AIR INTAKE	1							
2	1	198200-06150	PIPE, INTAKE	1	1	1	1				
3	1	198280-06200	BRACKET, AIR CLEANER	1							
4	1	198280-06300	CLEANER M ASSY,AIR	1							
6	2	119808-12520	ELEMENT, OUTER	1							
7	2	129051-12530	ELEMENT, INNER	1							
8	2	129418-12530	MARK	1							
9	2	119808-12540	VALVE, UNLOADER	1							
10	2	119866-12540	COVER ASSY	1							
12	2	129612-12650	MARKING,(W)	1							
14	1	198280-06410	COLLAR	1	1	1	1				
15	1	198072-18320	SPRING 12	3	3	3	3				
16	1	198092-71720	COLLAR, 8.1X10.5X9.3	1	1	1	1				
17	1	23000-070000	CLAMP 70	2	2	2	2				
18	1	23010-055000	CLAMP 55	1	1	1	1				
19	1	26106-080122	BOLT M 8X 12 PLATED	2	2	2	2				
20	1	26106-080162	BOLT M 8X 16 PLATED	1	1	1	1				
21	1	26106-080202	BOLT M 8X 20 PLATED	1	1	1	1				
22	1	198208-06010	HOSE, AIR INTAKE		1	1	1				
23	1	198287-06200	BRACKET, AIR CLEANER		1	1	1				
24	1	198287-06300	CLEANER M ASSY,AIR		1	1	1				
26	2	119808-12520	ELEMENT, OUTER		1	1	1				
27	2	119866-12530	COVER ASSY		1	1	1				
28	2	129051-12530	ELEMENT, INNER		1	1	1				
29	2	129418-12530	MARK		1	1	1				
30	2	119808-12540	VALVE, UNLOADER		1	1	1				
32	2	129612-12650	MARKING,(W)		1	1	1				

Fig.9. FRONT BRACKET



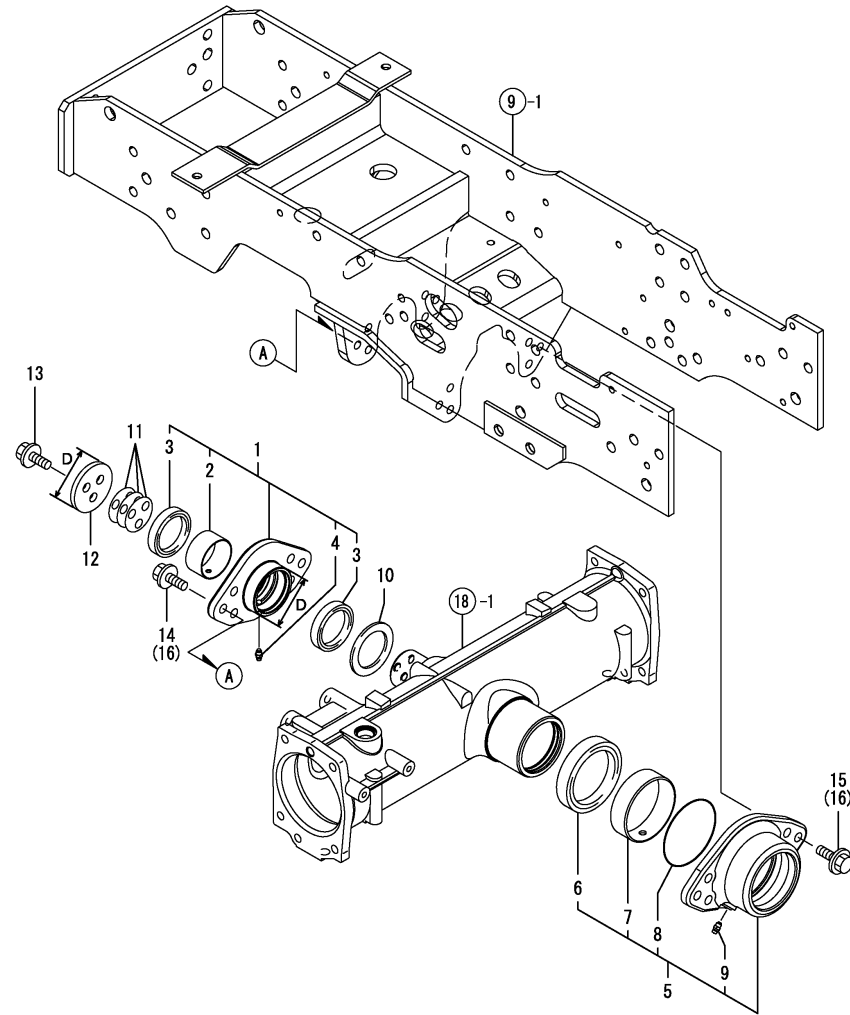
OCNP4-G32200 9. FRONT BRACKET

(A)=EF227EH
(B)=EF230EH
(C)=EF233EH

(D)=EF235EH
(E)=
(F)=

REF.	LEV.	PARTS NO.	DESCRIPTION	Q'TY						I	R
				(A)	(B)	(C)	(D)	(E)	(F)		
1	1	198280-11100	BRACKET M ASSY, AXLE	1							
4	1	198200-17950	CLAMP	1	1	1	1				
5	1	26013-120302	BOLT W/WASHER M12X30	12							
6	1	26106-080162	BOLT M 8X 16 PLATED	1	1	1	1				
7	1	198287-11100	BRACKET M ASSY, AXLE		1	1	1				
10	1	198208-11210	STAY, L.H.		1	1	1				
10-1	1	1A8115-11210	STAY, L.H.		1	1	1				R
		(B=*2008.11.) (C=*2008.11.) (D=*2008.11.)									
11	1	198208-11220	STAY, R.H.		1	1	1				
11-1	1	1A8115-11220	STAY, R.H.		1	1	1				R
		(B=*2008.11.) (C=*2008.11.) (D=*2008.11.)									
12	1	198208-11310	BOLT, 10 X 25		16	16	16				
13	1	26106-100452	BOLT M10X 45 PLATED		2	2	2				
14	1	26106-100552	BOLT M10X 55 PLATED		2	2	2				
15	1	198287-11210	PLATE L CMP.			1	1				
16	1	198287-11230	PLATE R CMP.			1	1				
17	1	26013-120252	BOLT M12X 25			4	4				
18	1	198093-84810	SEAL,FENDER		1	1	1				W
		(B=*2008.01.) (C=*2008.01.) (D=*2008.01.)									

Fig.10. CENTER PIN SUPPORT



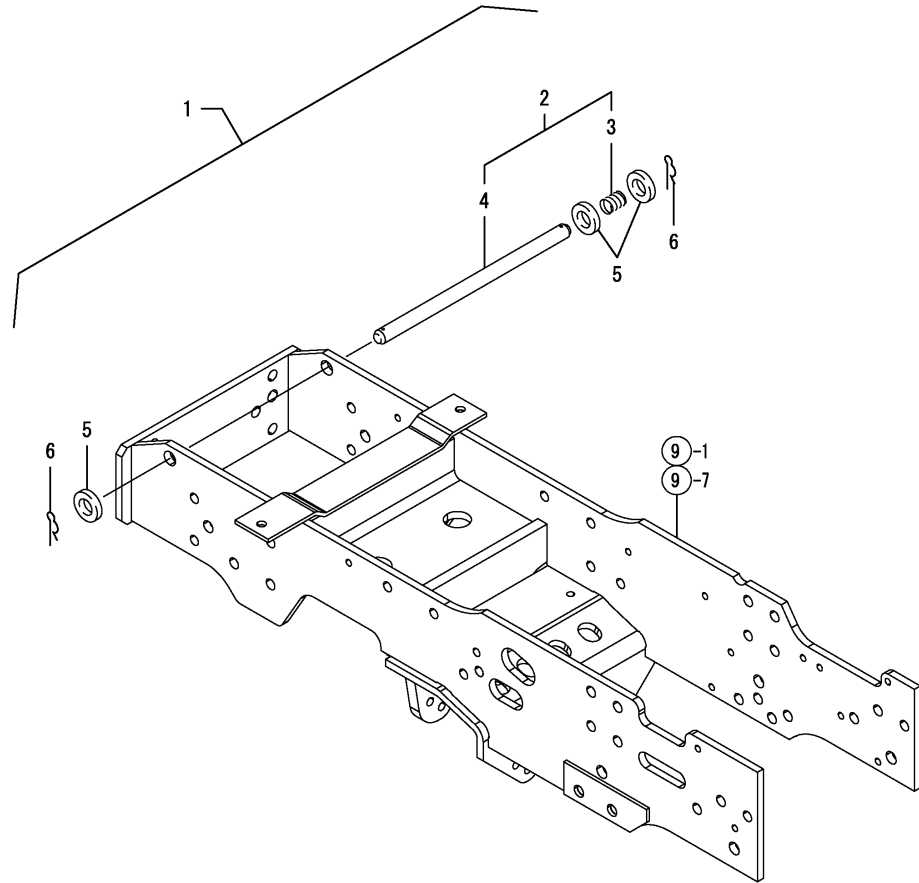
(A)=EF227EH
(B)=EF230EH
(C)=EF233EH

(D)=EF235EH
(E)=
(F)=

REF.	LEV.	PARTS NO.	DESCRIPTION	Q'TY						I	R
				(A)	(B)	(C)	(D)	(E)	(F)		
1	1	198200-13050	SUPPORT ASSY, F	1	1	1	1				
1-1	1	198283-13050	SUPPORT ASSY, F	1	1	1	1			S	1
		(A=*2005.12.) (B=*2005.12.) (C=*2005.12.) (D=*2005.12.)									
1-2	1	198283-13051	SUPPORT ASSY, F	1	1	1	1				N
		(A=FXXXXXX) (B=FXXXXXX) (C=FXXXXXX) (D=FXXXXXX)									
2	2	194451-11960	BUSH 45X49X25	1	1	1	1				
2-1	2	198283-13380	BUSH	1	1	1	1				S
		(A=*2005.12.) (B=*2005.12.) (C=*2005.12.) (D=*2005.12.)									
3	2	198291-13240	SEAL G455204,OIL	2	2	2	2				
3-1	2	198172-11640	SEAL, G50X58X4	2	2	2	2				S
		(A=*2005.12.) (B=*2005.12.) (C=*2005.12.) (D=*2005.12.)									
4	2	24761-010000	NIPPLE M6F, GREASE	1	1	1	1				
4-1	2	194850-13690	NIPPLE M6F, GREASE	1	1	1	1				R
		(A=FXXXXXX) (B=FXXXXXX) (C=FXXXXXX) (D=FXXXXXX)									
5	1	198200-13060	SUPPORT ASSY, R	1	1	1	1				
5-1	1	198200-13061	SUPPORT ASSY, R	1	1	1	1				N
		(A=FXXXXXX) (B=FXXXXXX) (C=FXXXXXX) (D=FXXXXXX)									
6	2	194181-11560	SEAL VB75 85 6.5,OIL	1	1	1	1				
7	2	194641-11630	BUSH 75X80X25	1	1	1	1				
8	2	24321-000750	O-RING 1A G-75.0	1	1	1	1				
9	2	24761-010000	NIPPLE M6F, GREASE	1	1	1	1				
10	1	198190-13240	WASHER	1	1	1	1				
10-1	1	198200-13350	WASHER	1	1	1	1				S
		(A=*2004.07.) (B=*2004.07.) (C=*2004.07.) (D=*2004.07.)									
11	1	198200-13320	SHIM,	3	3	3	3				
12	1	198200-13330	PLATE, THRUST	1	1	1	1				
12-1	1	198283-13330	PLATE, THRUST	1	1	1	1				S
		(A=*2005.12.) (B=*2005.12.) (C=*2005.12.) (D=*2005.12.)									
13	1	26106-100252	BOLT M10X 25 PLATED	3	3	3	3				
14	1	26106-100252	BOLT M10X 25 PLATED	6	6	6	6				Z
		(A=FXXXXXX) (B=FXXXXXX) (C=FXXXXXX) (D=FXXXXXX)									
15	1	26106-100252	BOLT M10X 25 PLATED	6	6	6	6				Z
		(A=FXXXXXX) (B=FXXXXXX) (C=FXXXXXX) (D=FXXXXXX)									
16	1	198208-11310	BOLT, 10 X 25	12	12	12	12				W
		(A=FXXXXXX) (B=FXXXXXX) (C=FXXXXXX) (D=FXXXXXX)									

Remarks
(1) D=REF.NO.1 60.5M/M,
REF.NO.1-1 65.5M/M.
D=REF.NO.12 60M/M,REF.NO.12-1 66M/M.

Fig.11. WEIGHT LOCK PIN



0CNP4-G32200 11. WEIGHT LOCK PIN

(A)=EF227EH (D)=EF235EH
 (B)=EF230EH (E)=
 (C)=EF233EH (F)=

REF.	LEV.	PARTS NO.	DESCRIPTION	Q'TY						I	R
				(A)	(B)	(C)	(D)	(E)	(F)		
1	1	198280-11710	LOCK PIN KIT	1	1	1	1				
2	2	198280-11240	PIN, LOCK	1	1	1	1				
3	3	194250-11140	SPRING	1	1	1	1				
4	3	198280-11250	PIN	1	1	1	1				
5	2	22137-160000	WASHER 16,POLISHED	3	3	3	3				
6	2	22360-160000	SNAP PIN 16	2	2	2	2				

Fig.12. FRONT HITCH

(A)=EF227EH
(B)=EF230EH
(C)=EF233EH

(D)=EF235EH
(E)=
(F)=

REF.	LEV.	PARTS NO.	DESCRIPTION	Q'TY						I	R
				(A)	(B)	(C)	(D)	(E)	(F)		
1	1	198280-11810	HITCH, FRONT	1	1	1	1				
2	1	198280-11830	PIN, HITCH	1	1	1	1				
3	1	198280-11840	PIN ASSY, LOCK	1	1	1	1				
4	1	198535-62780	SPACER,	1	1	1	1				
5	1	26013-120352	BOLT M12X 35	4	4	4	4				
6	1	26106-060102	BOLT 6X 10 PLATED	1	1	1	1				
7	1	26716-120002	NUT 12	4	4	4	4				

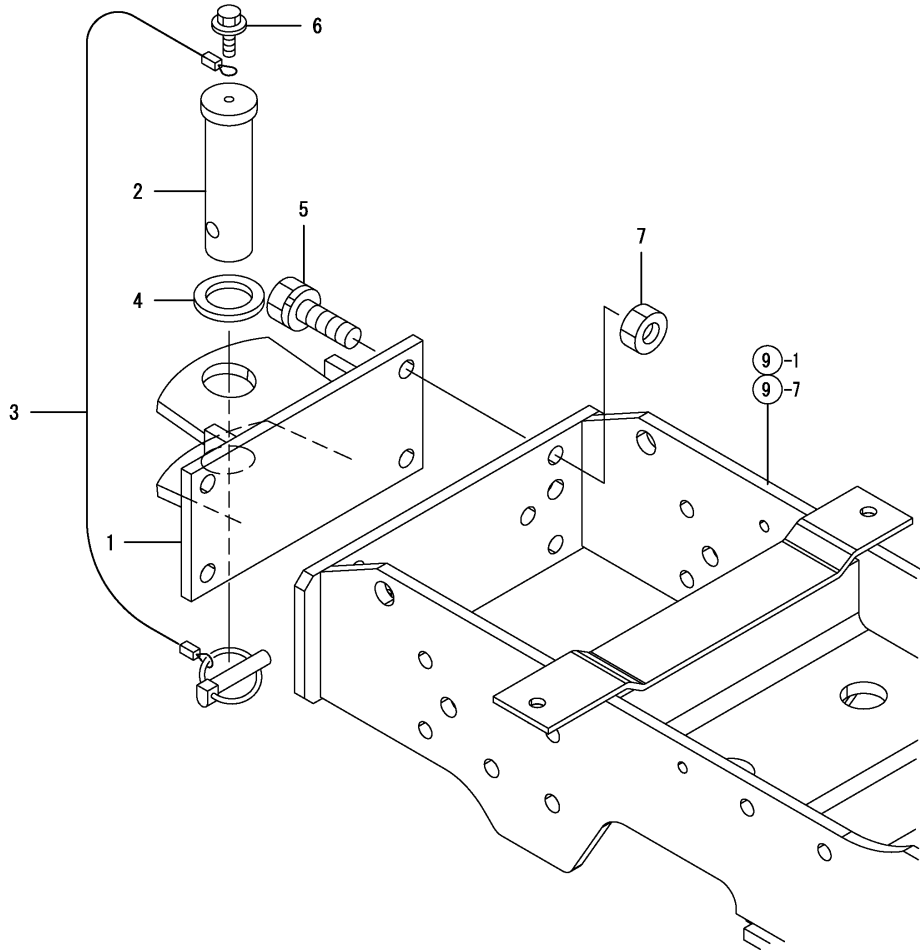
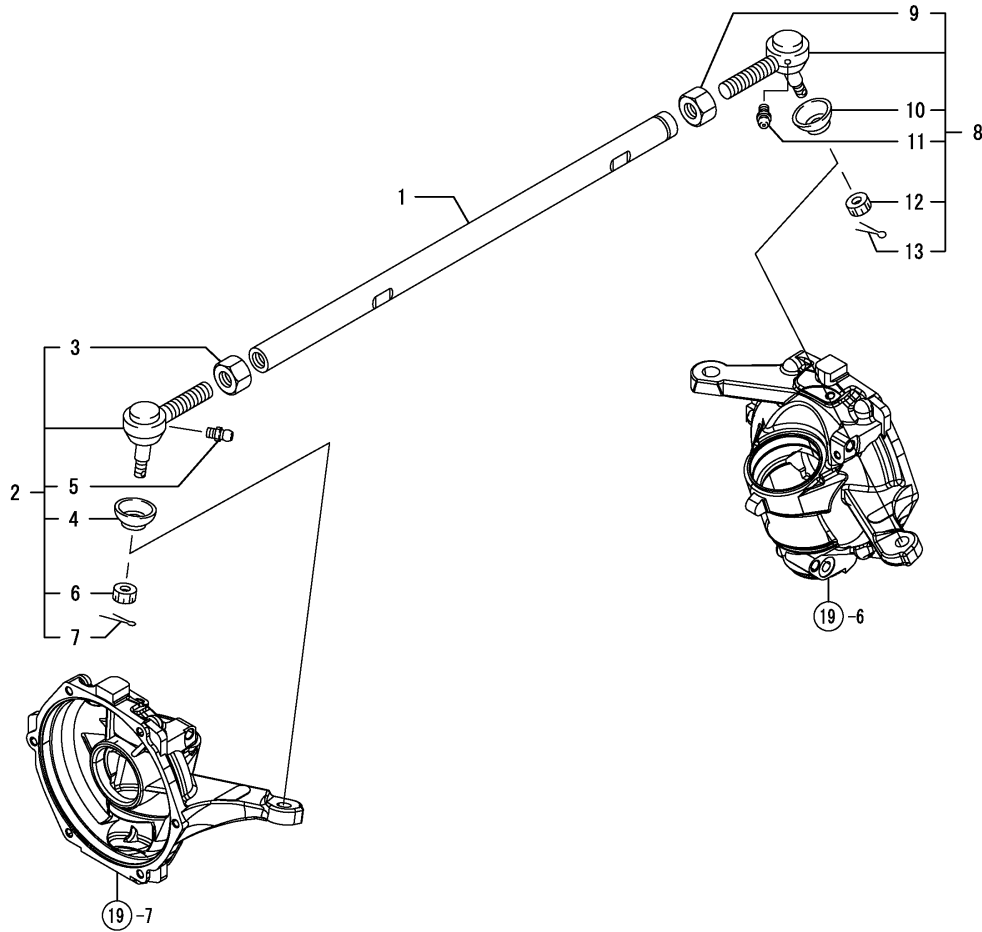


Fig.13. TIE ROD

(A)=EF227EH
(B)=EF230EH
(C)=EF233EH

(D)=EF235EH
(E)=
(F)=



REF.	LEV.	PARTS NO.	DESCRIPTION	Q'TY						I	R
				(A)	(B)	(C)	(D)	(E)	(F)		
1	1	198220-12310	TIE-ROD	1	1	1	1				
I	2	198240-18130	TIRE-ROD END KIT RL	1	1	1	1				
I	3	194990-22840	NUT M17	1	1	1	1				
4	2	194730-57220	COVER, DUST	1	1	1	1				
5	2	24761-060000	NIPPLE MT6X1, GREASE	1	1	1	1				
6	2	198240-12590	NUT 12	1	1	1	1				
7	2	22417-300250	COTTER PIN 3.0X 25	1	1	1	1				
I	8	198240-18120	TIRE-ROD END KIT(LR)	1	1	1	1				
I	9	194990-22830	NUT M17	1	1	1	1				
10	2	194730-57220	COVER, DUST	1	1	1	1				
11	2	24761-060000	NIPPLE MT6X1, GREASE	1	1	1	1				
12	2	198240-12590	NUT 12	1	1	1	1				
13	2	22417-300250	COTTER PIN 3.0X 25	1	1	1	1				

Fig.14. RING GEAR

OCNP4-G32200 14. RING GEAR

(A)=EF227EH
(B)=EF230EH
(C)=EF233EH

(D)=EF235EH
(E)=
(F)=

REF.	LEV.	PARTS NO.	DESCRIPTION	Q'TY						I	R
				(A)	(B)	(C)	(D)	(E)	(F)		
1	1	198200-13170	GEAR ASSY, RING	1	1	1	1				
2	1	1E6190-54080	SLEEVE SI25X30X13	1	1	1	1				
3	1	22242-000300	CIRCLIP 30	1	1	1	1				
4	1	24101-062064	BALL BEARING 6206	1	1	1	1				
5	1	24101-063054	BEARING #6305	1	1	1	1				

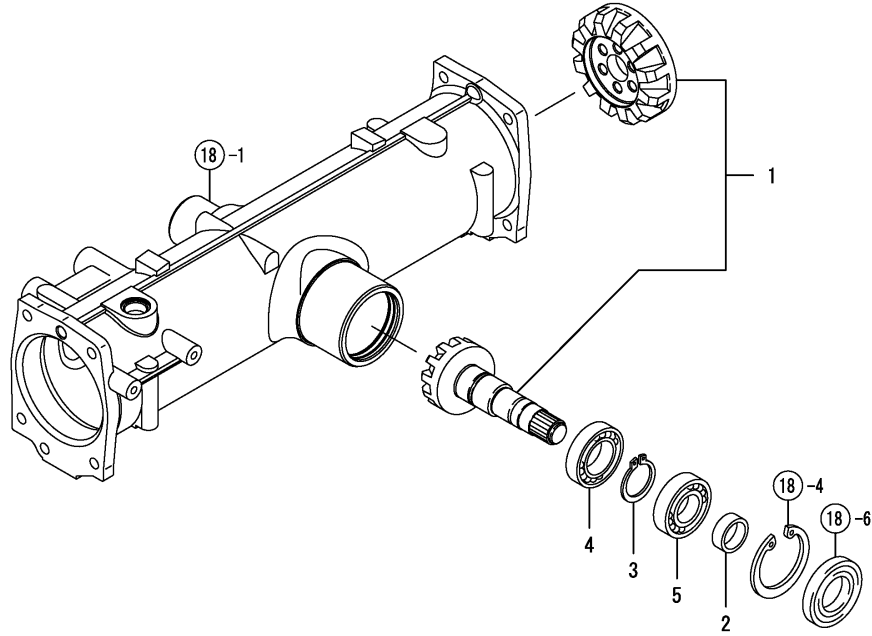


Fig.15. DIFFERENTIAL GEAR

(A)=EF227EH
 (B)=EF230EH
 (C)=EF233EH

(D)=EF235EH
 (E)=
 (F)=

REF.	LEV.	PARTS NO.	DESCRIPTION	Q'TY						I	R
				(A)	(B)	(C)	(D)	(E)	(F)		
1	1	198200-13200	HOUSING ASSY, DIFF.	1	1	1	1				
2	2	198200-13210	HOUSING, DIFF.	1	1	1	1				
3	2	198200-13220	SHAFT, DIFF. PINION	1	1	1	1				
4	2	194300-31550	GEAR, DIFFERENTIAL	2	2	2	2				
5	2	194300-31560	GEAR, DIFFERENTIAL	2	2	2	2				
6	2	194300-31610	WASHER, DIFFERENTIAL	2	2	2	2				
7	2	194300-31620	WASHER, DIFFERENTIAL	2	2	2	2				
8	2	22351-040040	SPRING PIN 4X40	1	1	1	1				
9	1	198200-13250	COLLER, DIFFERENTIAL	1	1	1	1				
10	1	194421-13640	BOLT M 8X22	6	6	6	6				
11	1	24101-060114	BALL BEARING	2	2	2	2				

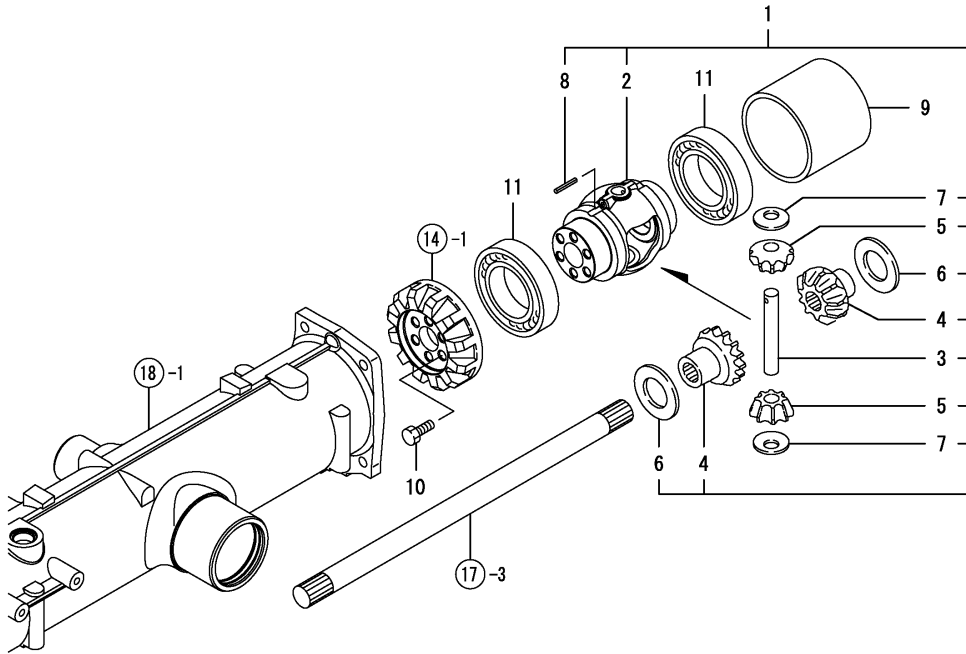
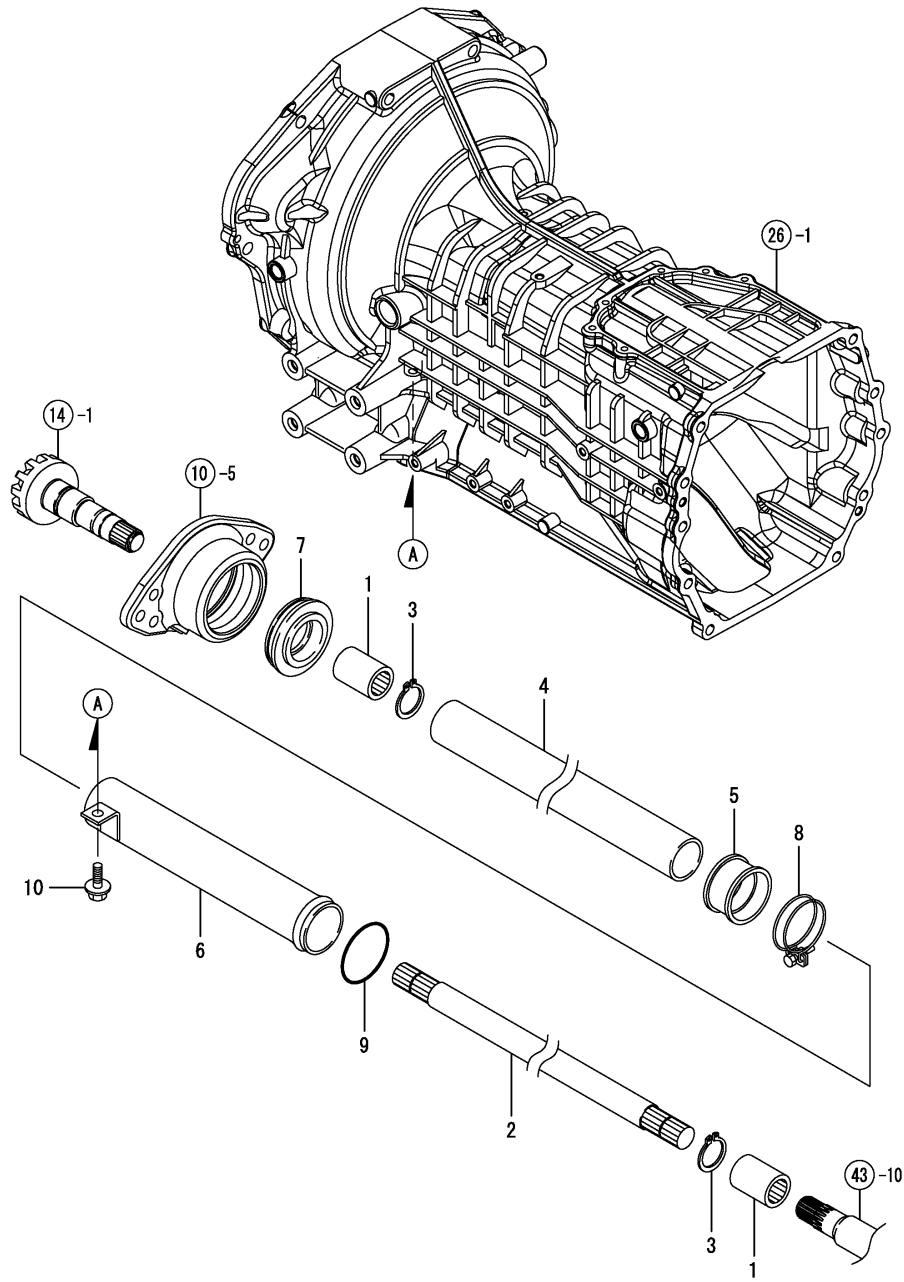


Fig.16. PROPELLER SHAFT



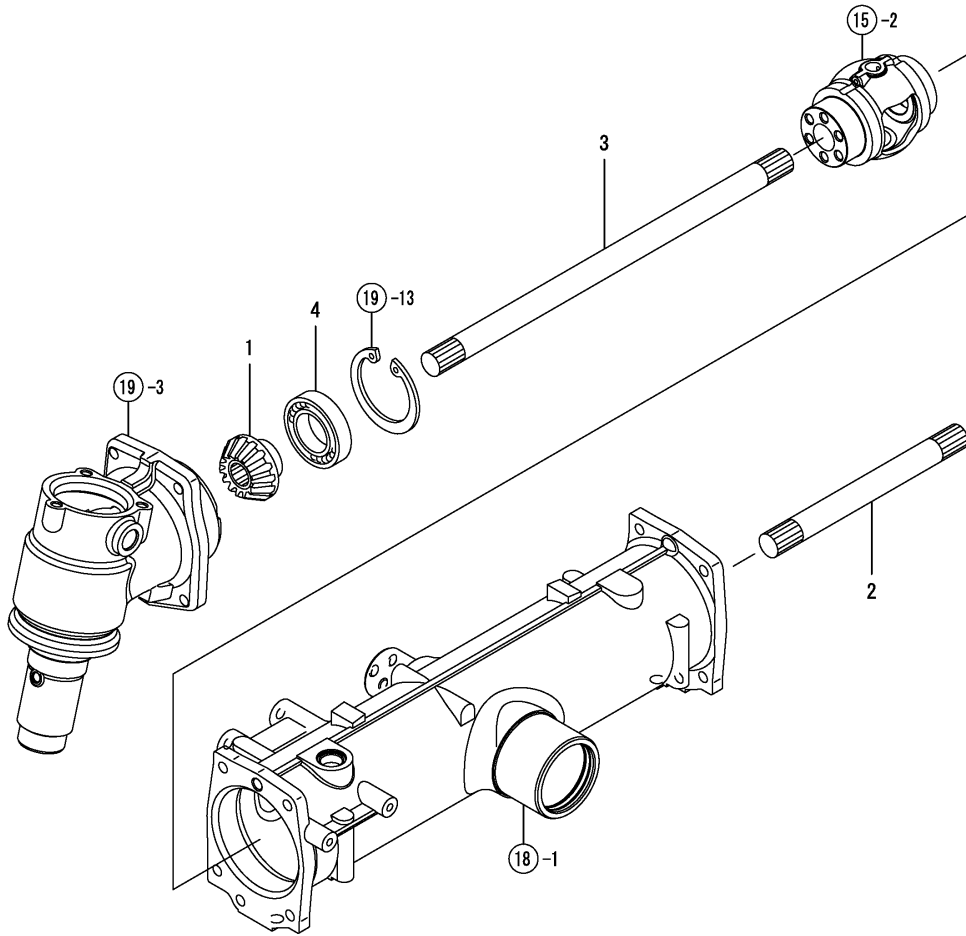
0CNP4-G32200 16. PROPELLER SHAFT

(A)=EF227EH
(B)=EF230EH
(C)=EF233EH

(D)=EF235EH
(E)=
(F)=

REF.	LEV.	PARTS NO.	DESCRIPTION	Q'TY						I	R
				(A)	(B)	(C)	(D)	(E)	(F)		
1	1	198200-13280	COUPLING, FRONT	2	2	2	2				
2	1	198280-13310	SHAFT, PROPELLER	1	1	1	1				
3	1	22242-000220	CIRCLIP 22	2	2	2	2				
4	1	198280-14630	COVER, SHAFT FRONT	1	1	1	1				
5	1	198071-14650	BOOT,SHAFT COVER	1	1	1	1				
6	1	198200-14670	COVER, SHAFT REAR	1	1	1	1				
7	1	198200-14910	SEAL, SHAFT COVER	1	1	1	1				
8	1	23010-055000	CLAMP 55	1	1	1	1				
9	1	24321-000450	O-RING 1A G-45.0	1	1	1	1				
10	1	26106-080162	BOLT M 8X 16 PLATED	1	1	1	1				

Fig.17. FRONT SHAFT (1



0CNP4-G32200 17. FRONT SHAFT (1

(A)=EF227EH
 (B)=EF230EH
 (C)=EF233EH

(D)=EF235EH
 (E)=
 (F)=

REF.	LEV.	PARTS NO.	DESCRIPTION	Q'TY						I	R
				(A)	(B)	(C)	(D)	(E)	(F)		
1	1	198200-13520	PINION, 1ST SHAFT	2	2	2	2				
2	1	198200-13570	SHAFT, FRONT 1ST	1	1	1	1				
3	1	198200-13580	SHAFT, FRONT 1ST	1	1	1	1				
4	1	24101-062074	BALL BEARING	2	2	2	2				

Fig.18. FRONT AXLE CASE

(A)=EF227EH
(B)=EF230EH
(C)=EF233EH

(D)=EF235EH
(E)=
(F)=

REF.	LEV.	PARTS NO.	DESCRIPTION	Q'TY						I	R
				(A)	(B)	(C)	(D)	(E)	(F)		
1	1	198200-13610	HOUSING, FRONT AXLE	1	1	1	1				
2	1	198200-17230	BRACKET, CYLINDER	1	1	1	1				
3	1	1C6900-23020	BREATHER W/GG.,KNOCK	1	1	1	1				
4	1	22252-000620	CIRCLIP 62(H)	1	1	1	1				
5	1	24311-000180	O-RING 1A P-18.0	1	1	1	1				
6	1	24421-306210	SEAL TC30 62 10, OIL	1	1	1	1				
7	1	26013-120302	BOLT W/WASHER M12X30	4	4	4	4				

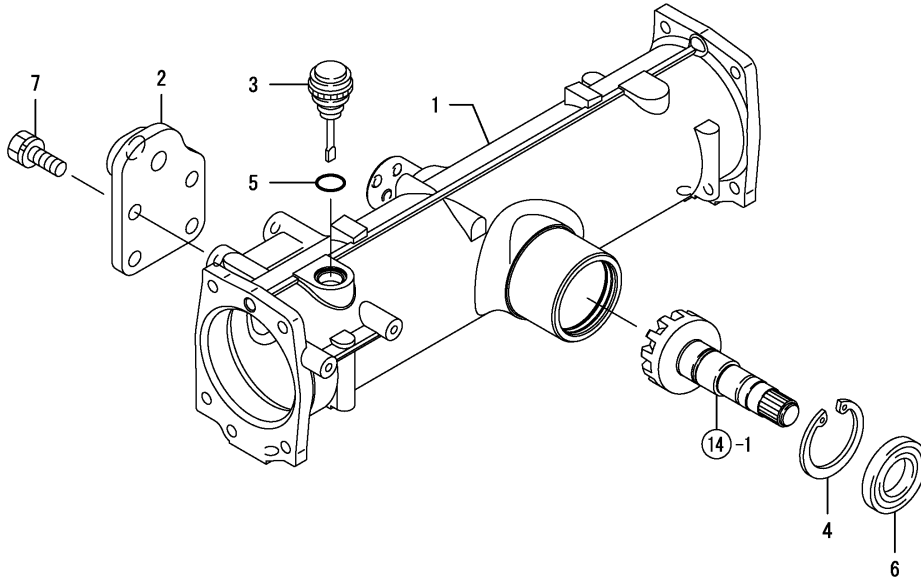
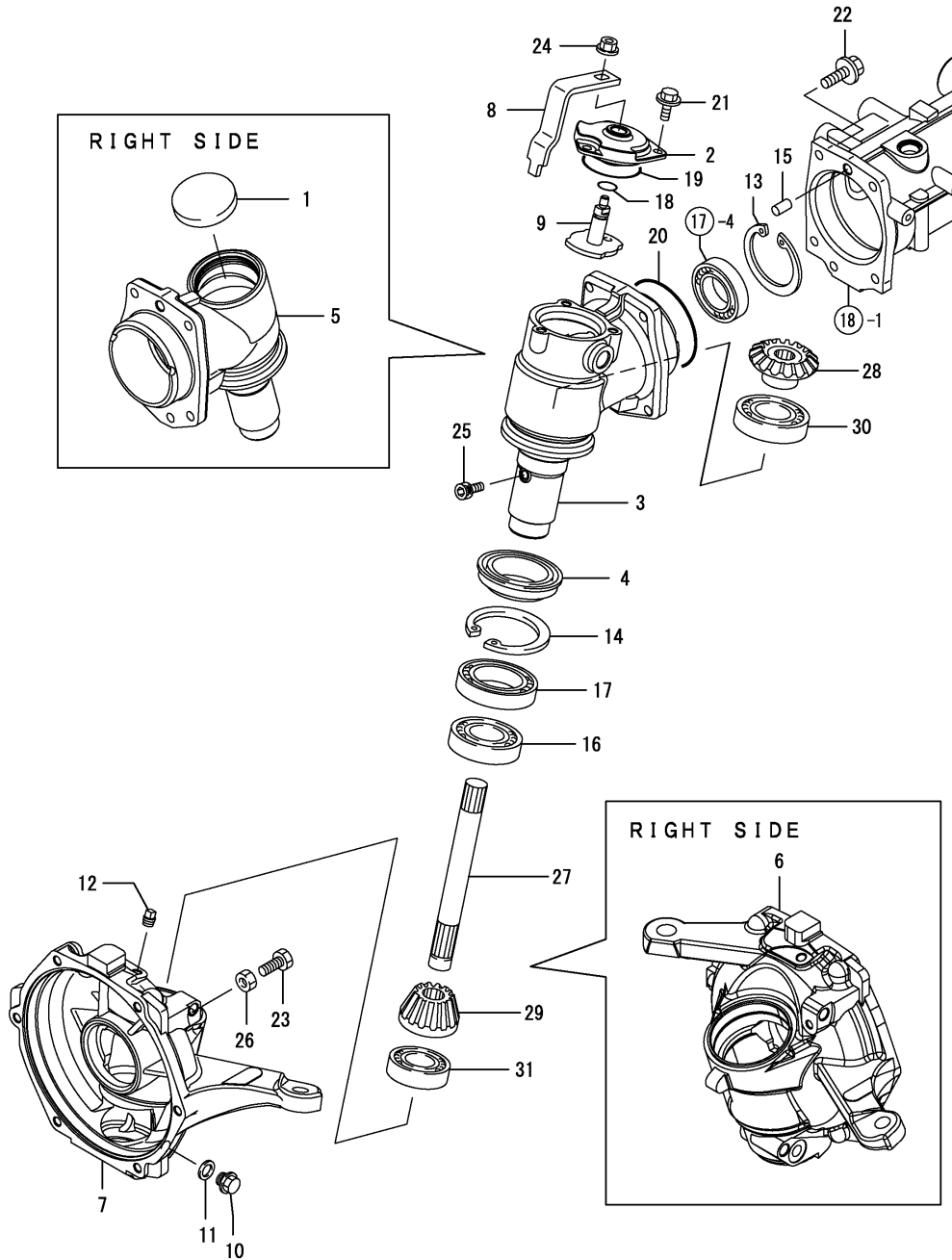


Fig.19. FRONT GEAR CASE

(A)=EF227EH
(B)=EF230EH
(C)=EF233EH

(D)=EF235EH
(E)=
(F)=

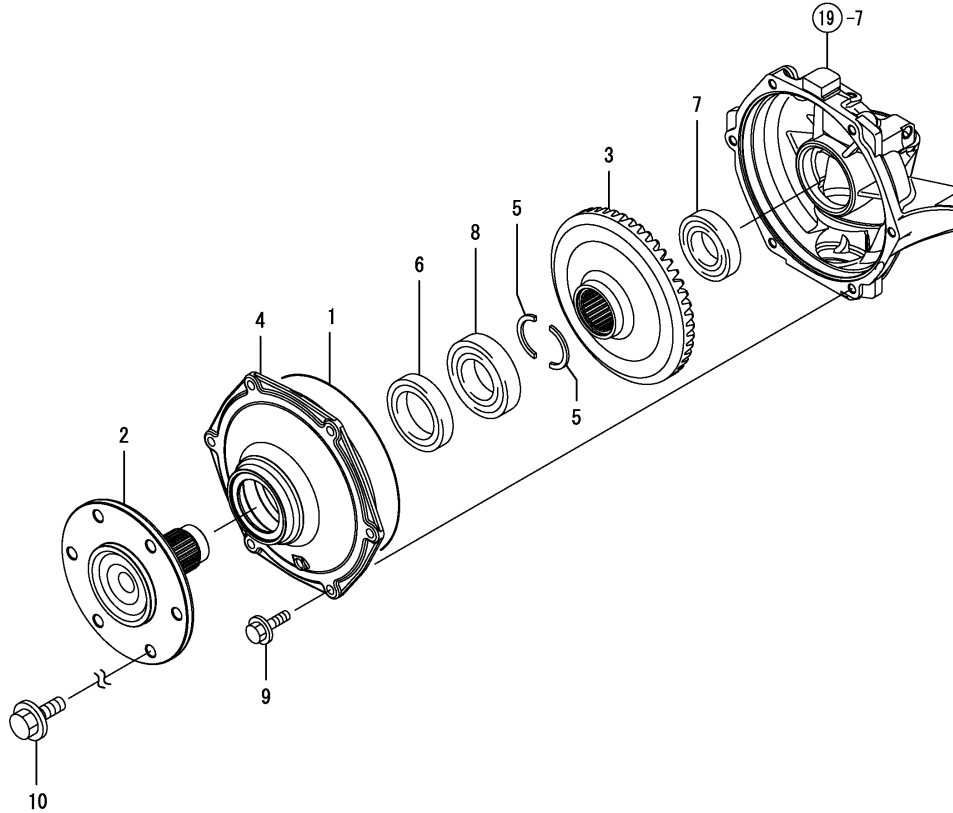


REF.	LEV.	PARTS NO.	DESCRIPTION	Q'TY						I	R
				(A)	(B)	(C)	(D)	(E)	(F)		
1	1	177432-03450	PLUG	1	1	1	1				
2	1	198200-13730	COVER, GEAR HOUSING	1	1	1	1				
3	1	198200-13750	HOUSING, FRONT GEAR	1	1	1	1				
4	1	198071-13760	SEAL QLF578016.5,OIL	2	2	2	2				
5	1	198200-13760	HOUSING, FRONT GEAR	1	1	1	1				
6	1	198200-13780	GEARBOX, FRONT R.H.	1	1	1	1				
7	1	198200-13791	GEARBOX, FRONT L.H.	1	1	1	1				
8	1	198200-13911	LINK, HI-GRIP	1	1	1	1				
9	1	198280-13920	ARM, SWITCH	1	1	1	1				
10	1	1C6900-23120	BOLT M14X10,DRAIN	2	2	2	2				
11	1	1C6900-23150	WASHER	2	2	2	2				
12	1	194151-36670	PLUG PT02	2	2	2	2				
13	1	22252-000720	CIRCLIP 72	2	2	2	2				
14	1	22252-000800	CIRCLIP 80	2	2	2	2				
15	1	22312-100180	PARALLEL PIN 10X 18	2	2	2	2				
16	1	24101-060084	BALL BEARING	2	2	2	2				
17	1	24101-060104	BALL BEARING	2	2	2	2				
18	1	24311-000110	O-RING 1A P-11.0	1	1	1	1				
19	1	24321-000600	O-RING 1A G-60.0	1	1	1	1				
20	1	24321-000950	O-RING 1A G-95.0	2	2	2	2				
21	1	26106-080162	BOLT M 8X 16 PLATED	3	3	3	3				
22	1	26106-100302	BOLT M10X 30 PLATED	10	10	10	10				
23	1	26116-100352	BOLT 10X35	2	2	2	2				
24	1	26366-080002	NUT M 8	1	1	1	1				
25	1	26450-080122	BOLT 8X 12	2	2	2	2				
26	1	26716-100002	NUT 10	2	2	2	2				
27	1	198200-13810	SHAFT, FRONT 2ND	2	2	2	2				
28	1	198200-13820	GEAR, 2ND SHAFT	2	2	2	2				
29	1	198200-13830	PINION, FRONT FINAL	2	2	2	2				
30	1	24101-062064	BALL BEARING 6206	2	2	2	2				
31	1	24101-063044	BALL BEARING	2	2	2	2				

Fig.20. FRONT SPINDLE

(A)=EF227EH
(B)=EF230EH
(C)=EF233EH

(D)=EF235EH
(E)=
(F)=



REF.	LEV.	PARTS NO.	DESCRIPTION	Q'TY						I	R
				(A)	(B)	(C)	(D)	(E)	(F)		
1	1	194556-13790	O-RING 190X2.7	2	2	2	2				
2	1	198200-14110	SPINDLE, FRONT	2	2	2	2				
3	1	198200-14120	GEAR, FRONT FINAL	2	2	2	2				
4	1	198200-14130	COVER, GEARBOX	2	2	2	2				
5	1	198200-14210	RING, HALF TIMBER	4	4	4	4				
6	1	198475-32660	SEAL QLN527514.5	2	2	2	2				
7	1	24101-060084	BALL BEARING	2	2	2	2				
8	1	24101-062094	BALL BEARING	2	2	2	2				
9	1	26106-100252	BOLT M10X 25 PLATED	12	12	12	12				
10	1	194881-12650	BOLT M14X 24	12	12	12	12				

Fig.21. FRONT WHEEL TIRE

0CNP4-G32200 21. FRONT WHEEL TIRE

(A)=EF227EH
 (B)=EF230EH
 (C)=EF233EH

(D)=EF235EH
 (E)=
 (F)=

REF.	LEV.	PARTS NO.	DESCRIPTION	Q'TY						I	R
				(A)	(B)	(C)	(D)	(E)	(F)		
1	1	198280-14740	TIRE 24X8.50-12 UNIT	2	2	2	2				
2	2	198200-14741	WHEEL 12X7JA	2	2	2	2				
3	2	198280-14760	TIRE ASSY, 24X8.5-12	2	2	2	2				
4	2	194136-12880	VALVE TR413	2	2	2	2				

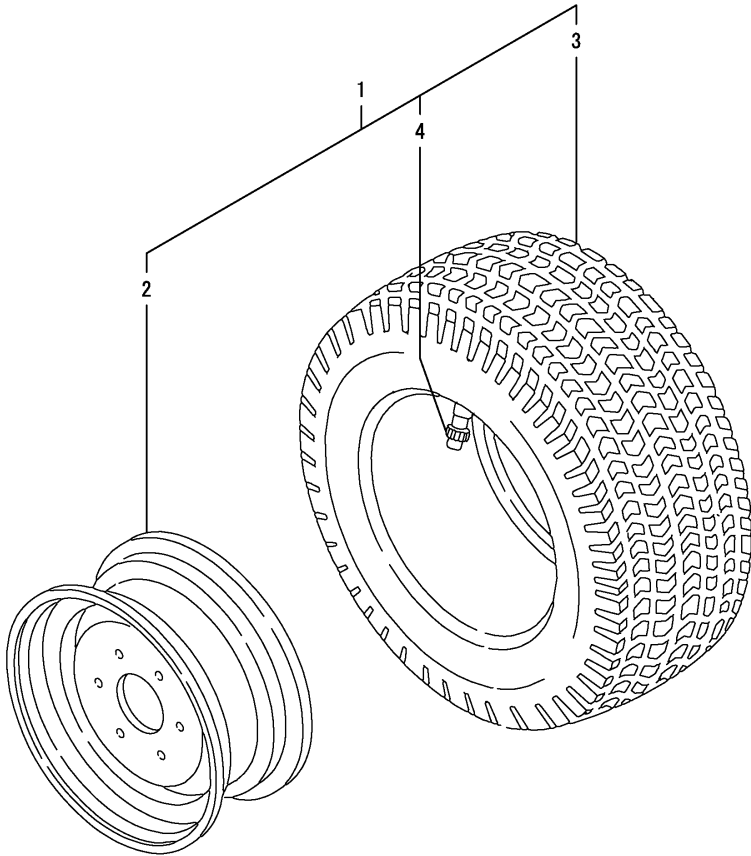
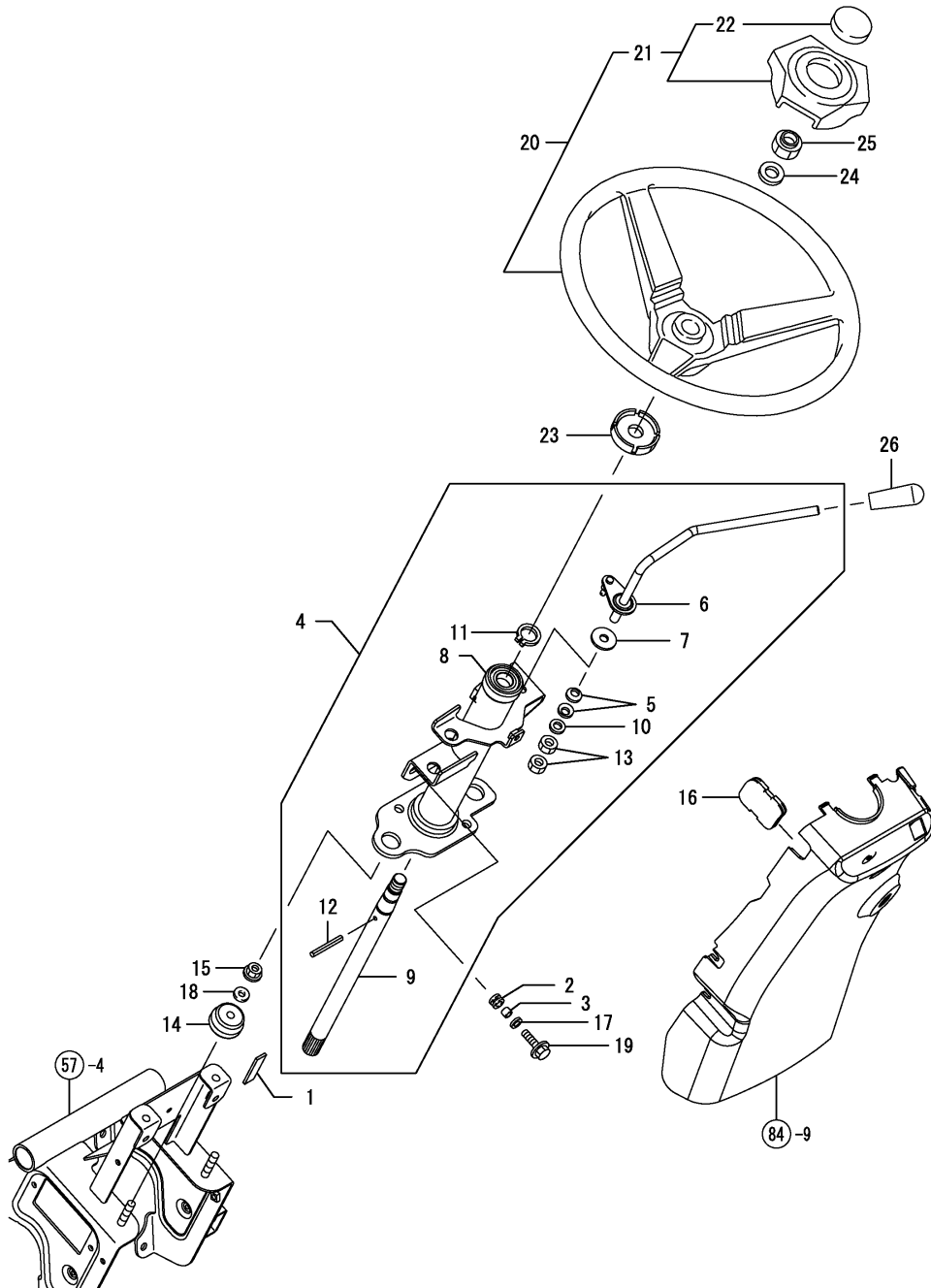


Fig.22. STEERING



OCNP4-G32200 22. STEERING

(A)=EF227EH
(B)=EF230EH
(C)=EF233EH

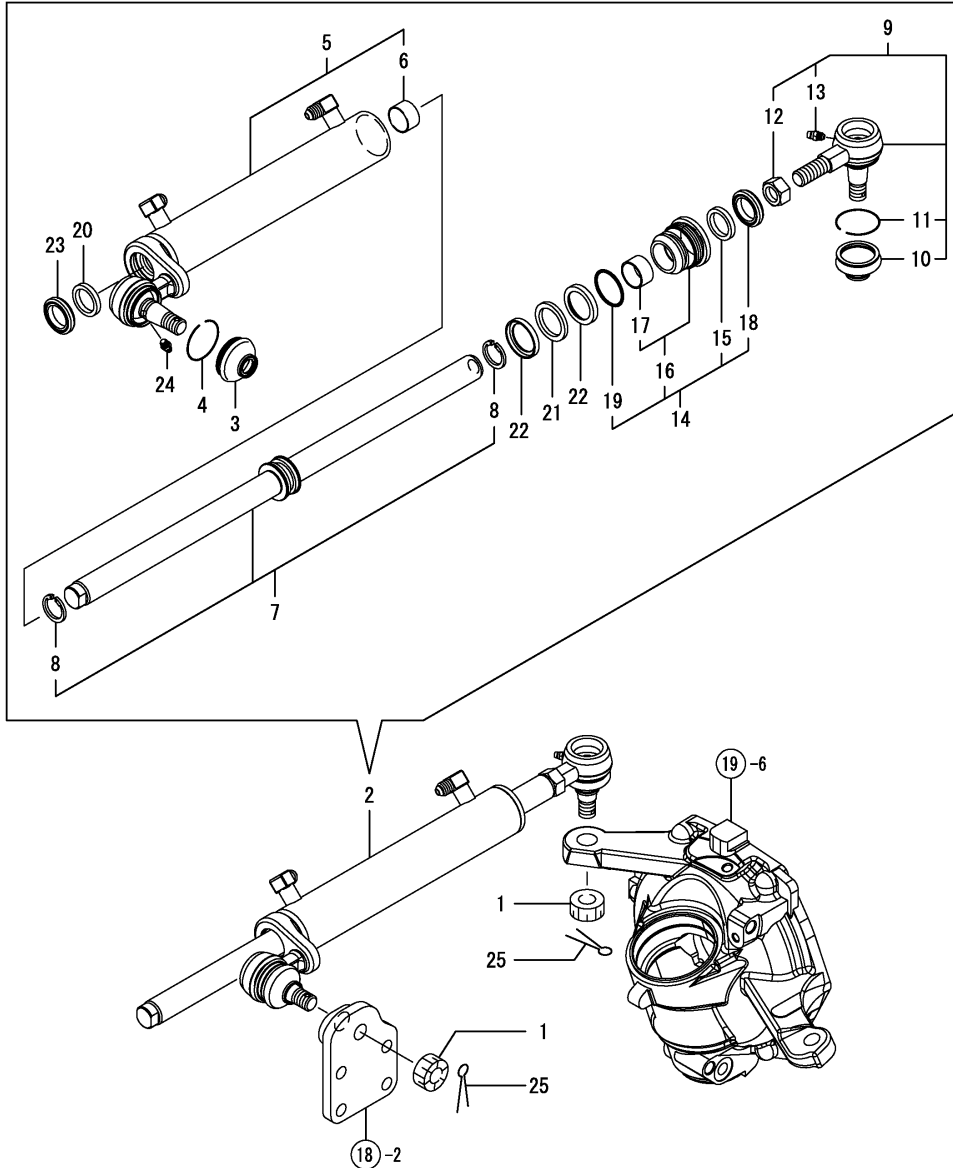
(D)=EF235EH
(E)=
(F)=

REF.	LEV.	PARTS NO.	DESCRIPTION	QTY						I	R
				(A)	(B)	(C)	(D)	(E)	(F)		
1	1	198200-01170	SEAL, CABLE	1	1	1	1				
2	1	198360-03260	GROMMET 12	2	2	2	2				
3	1	198360-03270	SPACER	2	2	2	2				
4	1	198280-15090	COLUMN UNIT,STEERING	1	1	1	1				
5	2	194740-00160	WASHER 10, CONICAL	2	2	2	2				
6	2	198200-01110	LEVER ASSY, CONTROL	1	1	1	1				
7	2	198200-01260	PLATE, FRICTION	1	1	1	1				
8	2	198280-15100	COLUMN ASSY,STEERING	1	1	1	1				
9	2	198200-15180	SHAFT, STEERING	1	1	1	1				
10	2	22137-100000	WASHER 10,POLISHED	1	1	1	1				
11	2	22242-000200	CIRCLIP 20	1	1	1	1				
12	2	22351-040032	SPRING PIN 4X32	1	1	1	1				
13	2	26716-100002	NUT 10	2	2	2	2				
14	1	198200-15250	MOUNT, STEERING	2	2	2	2				
15	1	194990-22140	NUT W/WASHER 8	2	2	2	2				
16	1	174840-61680	GROMMET	1	1	1	1				
17	1	22157-080000	WASHER 8	2	2	2	2				
18	1	22157-080000	WASHER 8	2	2	2	2				
19	1	26106-080252	BOLT M 8X 25 PLATED	2	2	2	2				
20	1	198133-15700	WHEEL COMP.,STEERING	1	1	1	1				
21	2	198133-15740	CAP COMP.,STEERING	1	1	1	1				
22	3	198133-15780	NAMEPLATE,HANDLE	1	1	1	1				
23	1	1A7000-15720	STEERING COVER	1	1	1	1				
24	1	22137-160000	WASHER 16,POLISHED	1	1	1	1				
25	1	26356-160002	U-NUT M16	1	1	1	1				
26	1	194464-01190	KNOB, THROTTLE LEVER	1	1	1	1				

Fig.23. P.S.T. CYLINDER

(A)=EF227EH
(B)=EF230EH
(C)=EF233EH

(D)=EF235EH
(E)=
(F)=



REF.	LEV.	PARTS NO.	DESCRIPTION	QTY						I	R
				(A)	(B)	(C)	(D)	(E)	(F)		
1	1	194180-12470	NUT, CASTLE	2	2	2	2				
2	1	198200-17300	CYLINDER KIT, PST.	1	1	1	1				
3	2	194450-12552	COVER, DUST	1	1	1	1				
4	2	194450-12561	RING, SET	1	1	1	1				
5	2	198200-17340	TUBE ASSY, CYLINDER	1	1	1	1				
6	3	24550-025150	BUSH 25X15	1	1	1	1				
7	2	198200-17410	ROD ASSY, STEERING	1	1	1	1				
8	3	22292-000250	CIRCLIP 25	2	2	2	2				
9	2	198200-17440	END ASSY, ROD R	1	1	1	1				
10	3	194450-12551	COVER, DUST	1	1	1	1				
11	3	194450-12561	RING, SET	1	1	1	1				
12	3	1A6030-47880	NUT, 16R	1	1	1	1				
13	3	24761-060000	NIPPLE MT6X1, GREASE	1	1	1	1				
14	2	198200-17450	CAP ASSY,	1	1	1	1				
15	3	194065-17470	PACKING 25	1	1	1	1				
16	3	198200-17470	CAP ASSY,	1	1	1	1				
17	4	24550-025150	BUSH 25X15	1	1	1	1				
18	3	198133-72670	SEAL 25, DUST	1	1	1	1				
19	3	24315-000340	O-RING 1B P 34.0	1	1	1	1				
20	2	194065-17470	PACKING 25	1	1	1	1				
21	2	172156-72330	PACKING	1	1	1	1				
22	2	172156-72340	BEARING	2	2	2	2				
23	2	198133-72670	SEAL 25, DUST	1	1	1	1				
24	2	24761-060000	NIPPLE MT6X1, GREASE	1	1	1	1				
25	1	22417-400250	COTTER PIN 4.0X25	2	2	2	2				

Fig.24. P.S.T. VALVE

(A)=EF227EH
(B)=EF230EH
(C)=EF233EH

(D)=EF235EH
(E)=
(F)=

REF.	LEV.	PARTS NO.	DESCRIPTION	Q'TY						I	R
				(A)	(B)	(C)	(D)	(E)	(F)		
1	1	198200-17500	VALVE ASSY, STEERING	1	1	1	1				
1A	2	198072-17550	SEAL KIT	1	1	1	1				W
		(A=*2008.04.) (B=*2008.04.) (C=*2008.04.) (D=*2008.04.)									
2	1	26136-100162	BOLT, 10 X 16	3	3	3	3				

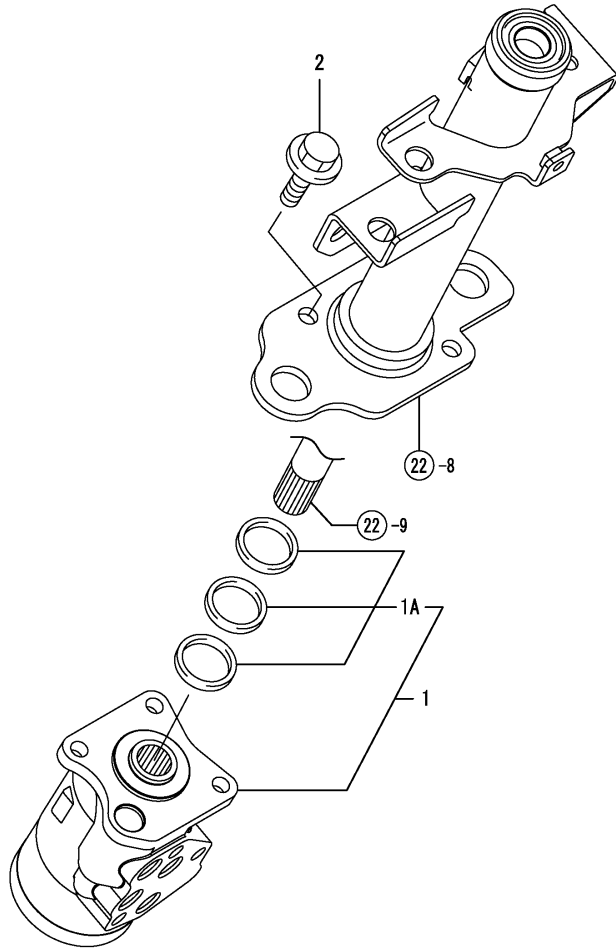
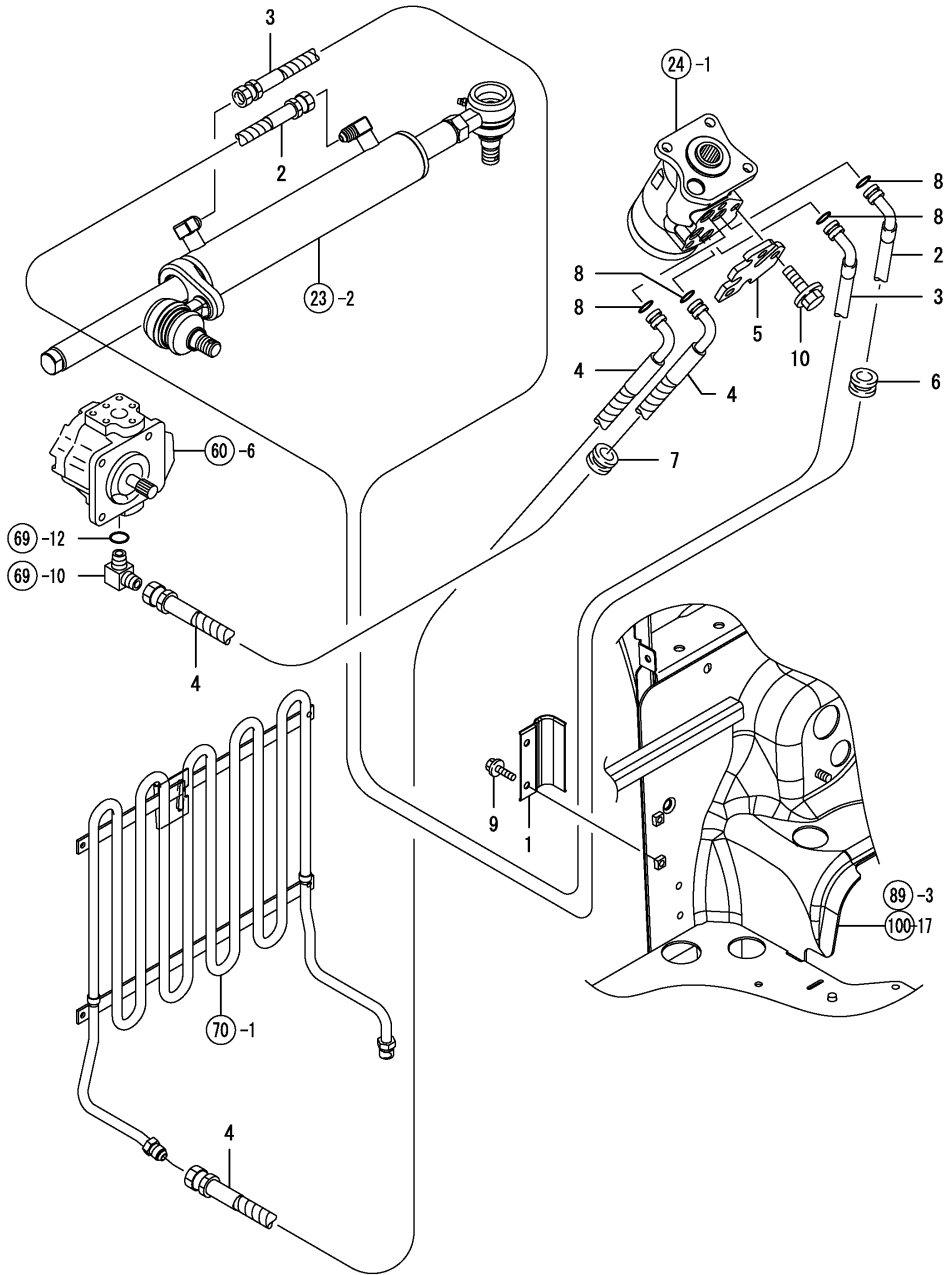


Fig.25. P.S.T. PIPING

(A)=EF227EH
(B)=EF230EH
(C)=EF233EH

(D)=EF235EH
(E)=
(F)=

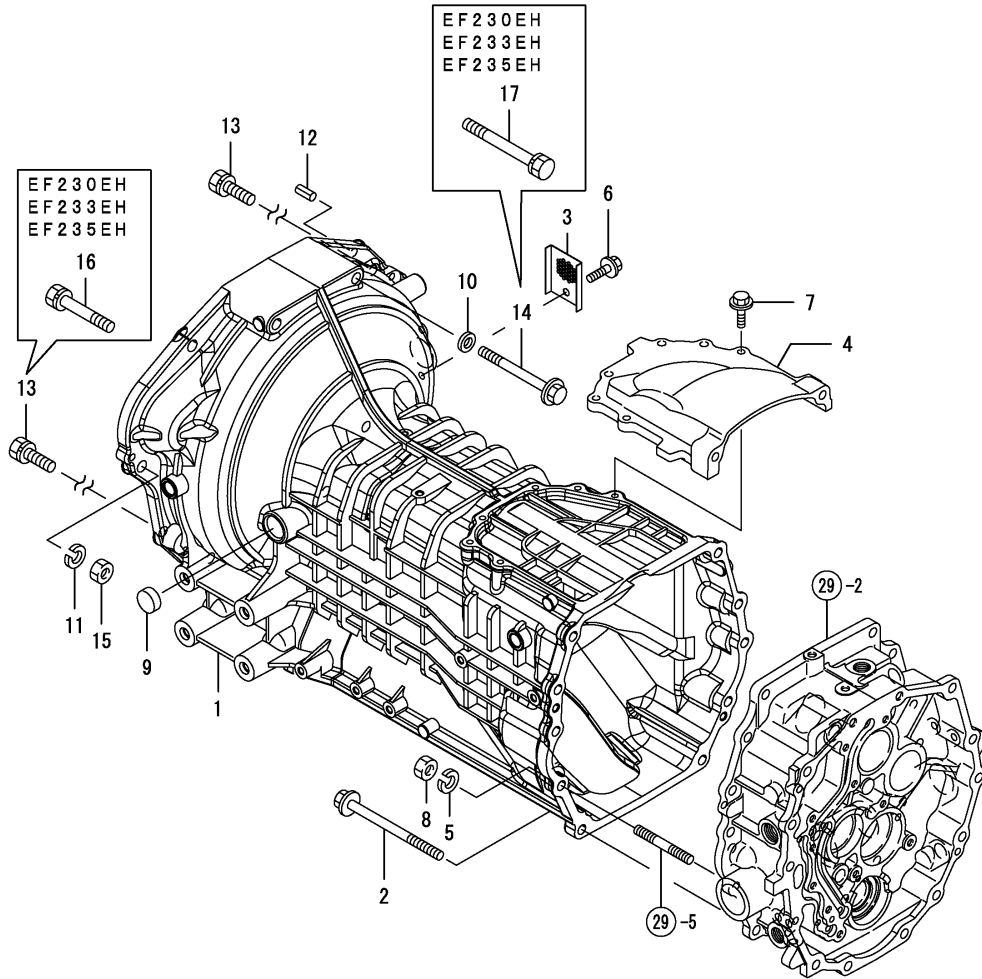


REF.	LEV.	PARTS NO.	DESCRIPTION	Q'TY						I	R
				(A)	(B)	(C)	(D)	(E)	(F)		
1	1	198200-17750	CLAMP	1	1	1	1				
2	1	198280-17810	HOSE, HYDRAULIC	1	1	1	1				
3	1	198280-17820	HOSE, HYDRAULIC	1	1	1	1				
4	1	198200-17830	HOSE, HYDRAULIC	2	2	2	2				
5	1	198200-17910	PLATE,	1	1	1	1				
6	1	194170-51210	GROMMET 25	1	1	1	1				
7	1	198245-51210	GROMMET 25	1	1	1	1				
8	1	24311-000120	O-RING 1A P 12.0	4	4	4	4				
9	1	26106-060122	BOLT M 6X 12 PLATED	2	2	2	2				
10	1	26136-100162	BOLT, 10 X 16	3	3	3	3				

Fig.26. CLUTCH HOUSING

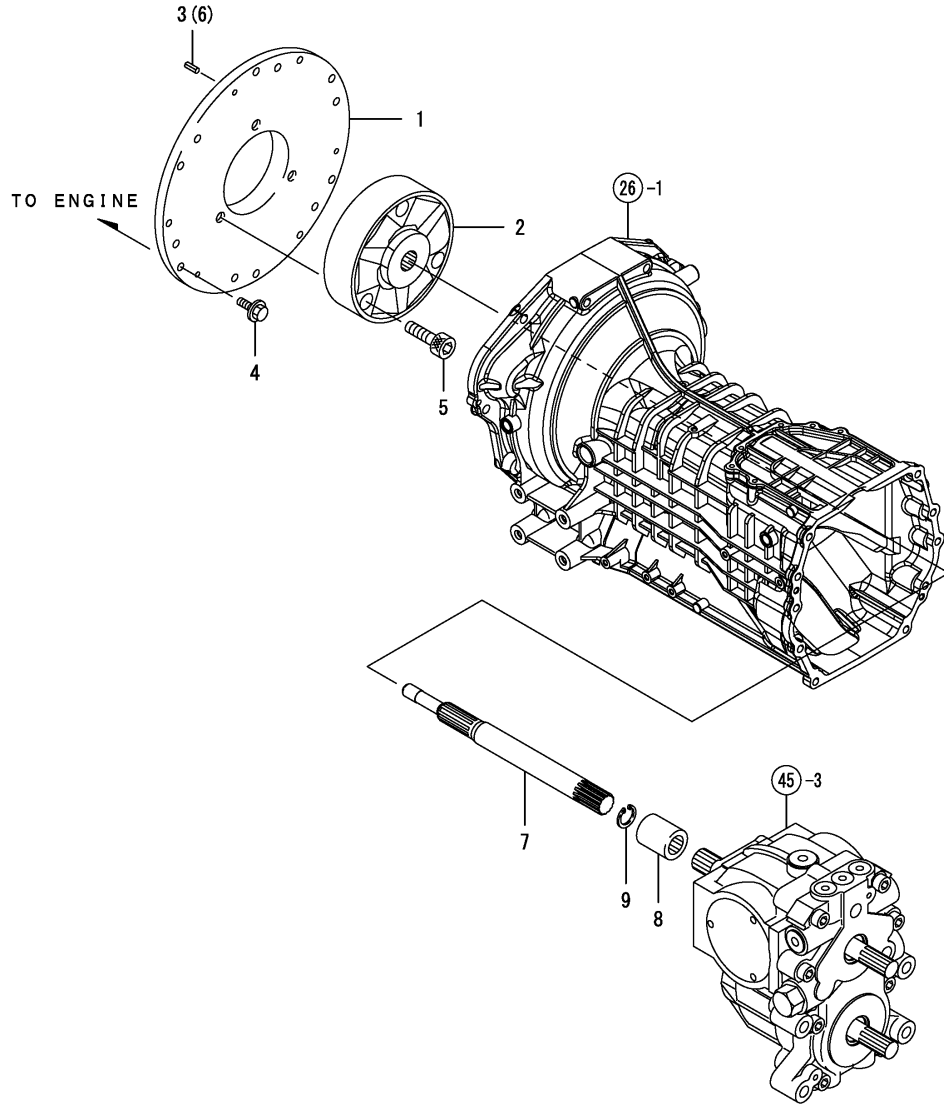
(A)=EF227EH
(B)=EF230EH
(C)=EF233EH

(D)=EF235EH
(E)=
(F)=



REF.	LEV.	PARTS NO.	DESCRIPTION	Q'TY						I	R
				(A)	(B)	(C)	(D)	(E)	(F)		
1	1	198280-21110	HOUSING, CLUTCH	1	1	1	1				
2	1	198200-21140	BOLT, 10 X 135	9	9	9	9				
3	1	198280-21170	COVER, HOUSING	1	1	1	1				
4	1	198280-21520	COVER, HOUSING	1	1	1	1				
5	1	22217-100000	SPRING WASHER 10	1	1	1	1				
6	1	26106-080122	BOLT M 8X 12 PLATED	1	1	1	1				
7	1	26106-080252	BOLT M 8X 25 PLATED	6	6	6	6				
8	1	26716-100002	NUT 10	1	1	1	1				
9	1	27260-260000	PLUG 26,BORE	2	2	2	2				
10	1	22137-100000	WASHER 10,POLISHED	2							
11	1	22217-120000	SPRING WASHER 12	1	1	1	1				
12	1	22351-080018	SPRING PIN 8X18	2	2	2	2				
13	1	26013-120352	BOLT M12X 35	6	4	4	4				
14	1	26106-101052	BOLT M10X105 PLATED	2							
15	1	26716-120002	NUT 12	1	1	1	1				
16	1	26013-120702	BOLT 12X70 W/SP.WSHR		2	2	2				
17	1	26013-121052	BOLT M12X105		2	2	2				

Fig.27. COUPLING & CLUTCH SHAFT



OCNP4-G32200 27. COUPLING & CLUTCH SHAFT

(A)=EF227EH
(B)=EF230EH
(C)=EF233EH

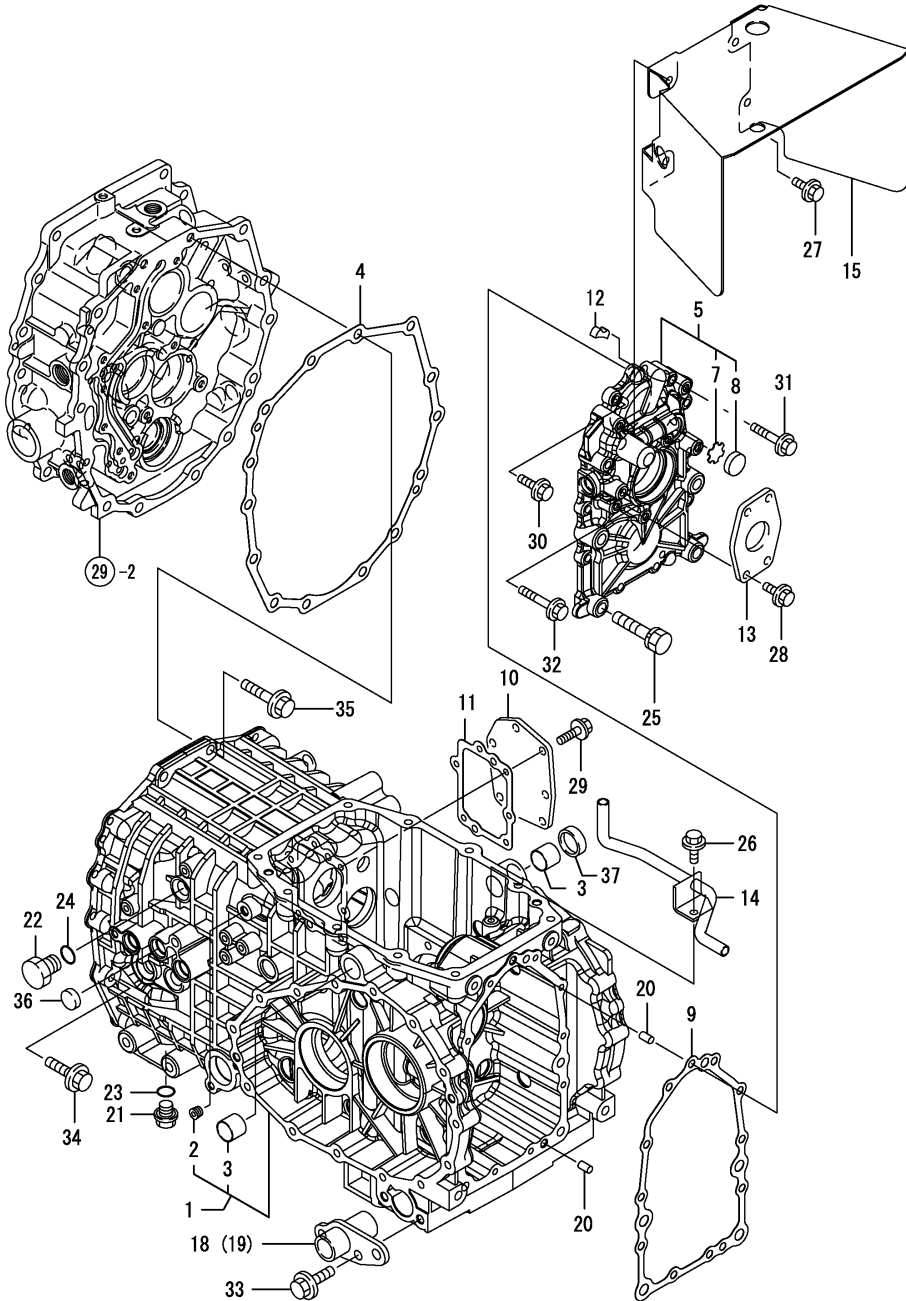
(D)=EF235EH
(E)=
(F)=

REF.	LEV.	PARTS NO.	DESCRIPTION	Q'TY						I	R
				(A)	(B)	(C)	(D)	(E)	(F)		
1	1	198280-21250	PLATE, COUPLING	1	1	1	1				
2	1	172165-71200	COUPLING	1	1	1	1				
3	1	22351-060016	SPRING PIN 6X16			3					
4	1	26106-080252	BOLT M 8X 25 PLATED	6	6	6	6				
5	1	26450-120402	BOLT M12X 40	3	3	3	3				
6	1	22351-080018	SPRING PIN 8X18			3	3	3			
7	1	198280-22110	SHAFT, MAIN DRIVE	1	1	1	1				
8	1	194555-26520	COUPLING	1	1	1	1				
9	1	22252-000220	CIRCLIP 22	1	1	1	1				

Fig.28. TRANSMISSION CASE

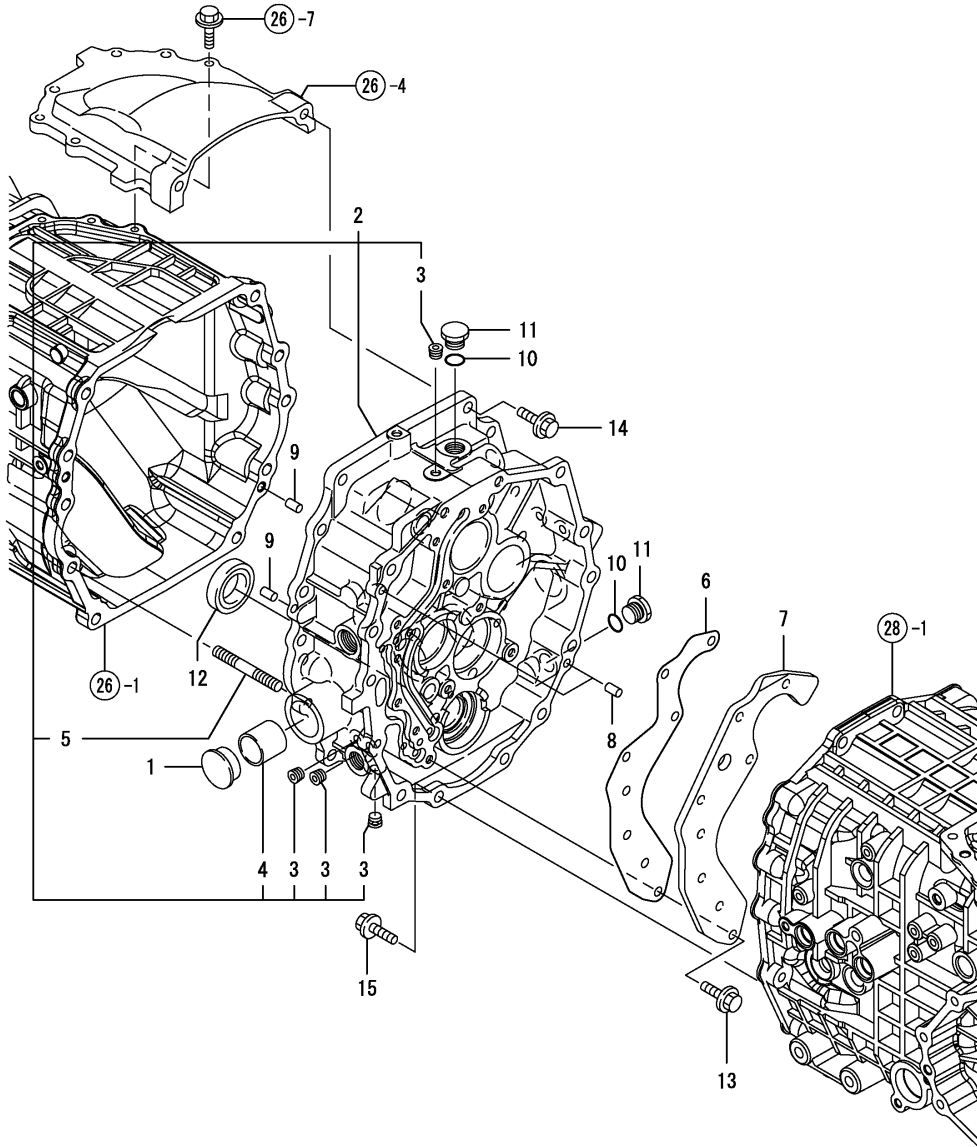
(A)=EF227EH
(B)=EF230EH
(C)=EF233EH

(D)=EF235EH
(E)=
(F)=



REF.	LEV.	PARTS NO.	DESCRIPTION	QTY						I	R
				(A)	(B)	(C)	(D)	(E)	(F)		
1	1	198280-24100	HOUSING ASSY, XMSN.	1	1	1	1				
2	2	23875-010000	PLUG PT1/8	1	1	1	1				
3	2	24550-022200	BUSH	2	2	2	2				
4	1	198200-24120	GASKET, XMSN.	1	1	1	1				
5	1	198280-24150	COVER ASSY, XMSN.	1	1	1	1				
7	2	198071-24350	PLATE,OL.INSP.WINDOW	1	1	1	1				
8	2	1A1040-28470	WINDOW 25,OIL CHECK	1	1	1	1				
9	1	198200-24170	GASKET, XMSN. COVER	1	1	1	1				
10	1	198280-24180	COVER, XMSN. SIDE	1	1	1	1				
11	1	198200-24190	GASKET, HOUSING	1	1	1	1				
12	1	198280-24250	SEAL, REAR COVER	1	1	1	1				
13	1	198255-24460	PLATE, OIL SEAL	1	1	1	1				
14	1	198280-24510	LINE ASSY, LUBRICANT	1	1	1	1				
15	1	198280-26900	GUARD M ASSY,PTO	1	1	1	1				
18	1	198280-73170	SUPPORT, LOWER LINK	1	1	1	1				
19	1	198280-73250	SUPPORT, LOWER LINK	1	1	1	1				
20	1	22312-080140	PIN 8X14,STRAIGHT	2	2	2	2				
21	1	23491-140002	PLUG 14	1	1	1	1				
22	1	23887-180002	PLUG 18	3	3	3	3				
23	1	24311-000160	O-RING 1A P-16.0	1	1	1	1				
24	1	24311-000180	O-RING 1A P-18.0	3	3	3	3				
25	1	26013-120552	BOLT M12X55	2	2	2	2				
26	1	26106-080162	BOLT M 8X 16 PLATED	1	1	1	1				
27	1	26106-080162	BOLT M 8X 16 PLATED	4	4	4	4				
28	1	26106-080162	BOLT M 8X 16 PLATED	1	1	1	1				
29	1	26106-080202	BOLT M 8X 20 PLATED	6	6	6	6				
30	1	26106-080252	BOLT M 8X 25 PLATED	8	8	8	8				
31	1	26106-080452	BOLT M 8X 45 PLATED	1	1	1	1				
32	1	26106-080502	BOLT M 8X 50 PLATED	1	1	1	1				
33	1	26106-100252	BOLT M10X 25 PLATED	4	4	4	4				
34	1	26106-100402	BOLT M10X 40 PLATED	1	1	1	1				
35	1	26106-100502	BOLT M10X 50 PLATED	2	2	2	2				
36	1	27260-220000	PLUG 22,BORE	4	4	4	4				
37	1	27260-260000	PLUG 26,BORE	1	1	1	1				

Fig.29. CENTER PLATE



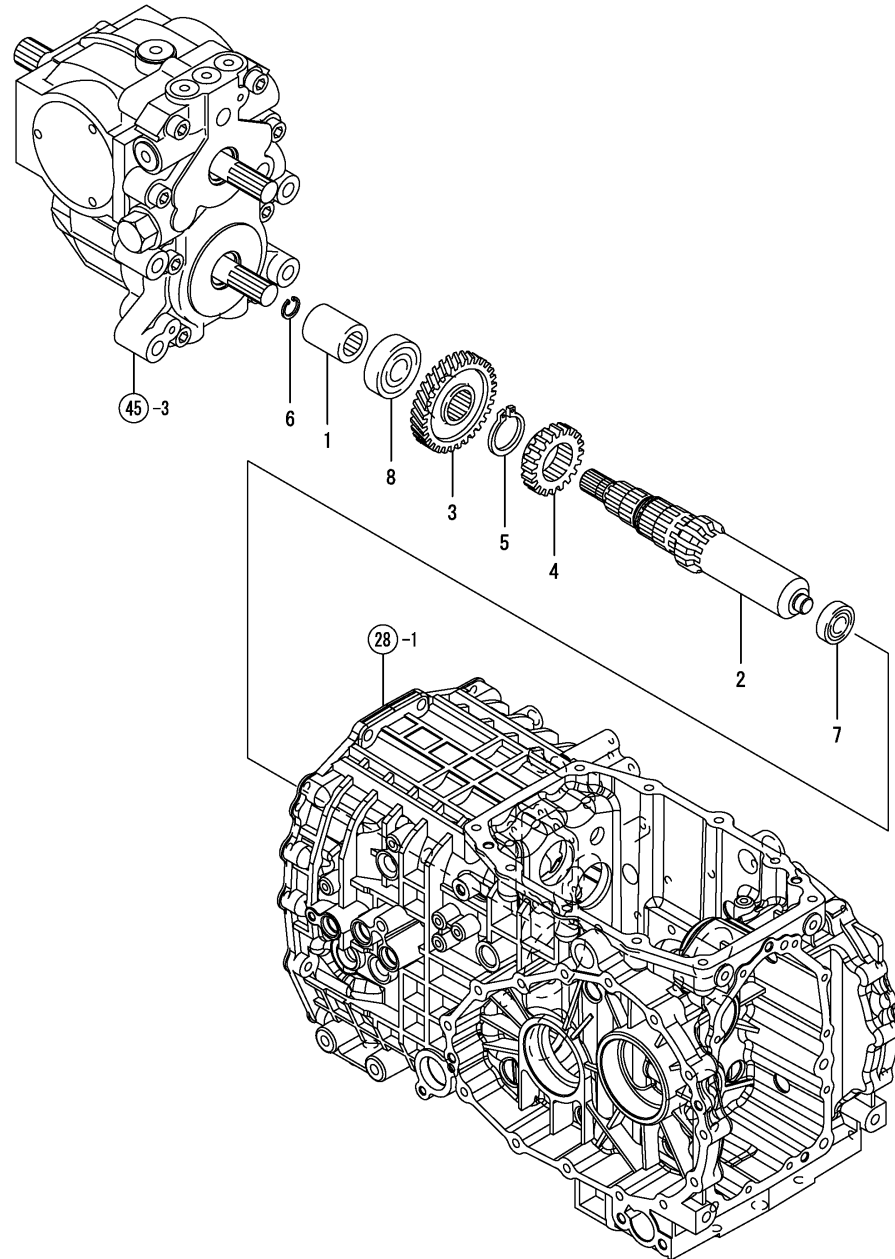
OCNP4-G32200 29. CENTER PLATE

(A)=EF227EH
(B)=EF230EH
(C)=EF233EH

(D)=EF235EH
(E)=
(F)=

REF.	LEV.	PARTS NO.	DESCRIPTION	QTY						I	R
				(A)	(B)	(C)	(D)	(E)	(F)		
1	1	1A6660-24250	PLUG, BORE 32	2	2	2	2				
2	1	198280-24300	PLATE ASSY, CENTER	1	1	1	1				
3	2	23875-010000	PLUG PT1/8	4	4	4	4				
4	2	24550-032300	BEARING, 32 X 30	2	2	2	2				
5	2	26216-100302	STUD BOLT	1	1	1	1				
6	1	198280-24380	GASKET, PLATE	1	1	1	1				
7	1	198280-24390	PLATE,	1	1	1	1				
8	1	22312-080140	PIN 8X14,STRAIGHT	2	2	2	2				
9	1	22312-080140	PIN 8X14,STRAIGHT	2	2	2	2				
10	1	23414-180000	GASKET 18, ROUND	2	2	2	2				
11	1	23887-180002	PLUG 18	2	2	2	2				
12	1	24421-305011	SEAL, TC305011	1	1	1	1				
13	1	26106-080202	BOLT M 8X 20 PLATED	8	8	8	8				
14	1	26106-100302	BOLT M10X 30 PLATED	2	2	2	2				
15	1	26106-100302	BOLT M10X 30 PLATED	2	2	2	2				

Fig.30. REDUCTION SHAFT



0CNP4-G32200 30. REDUCTION SHAFT

(A)=EF227EH
(B)=EF230EH
(C)=EF233EH

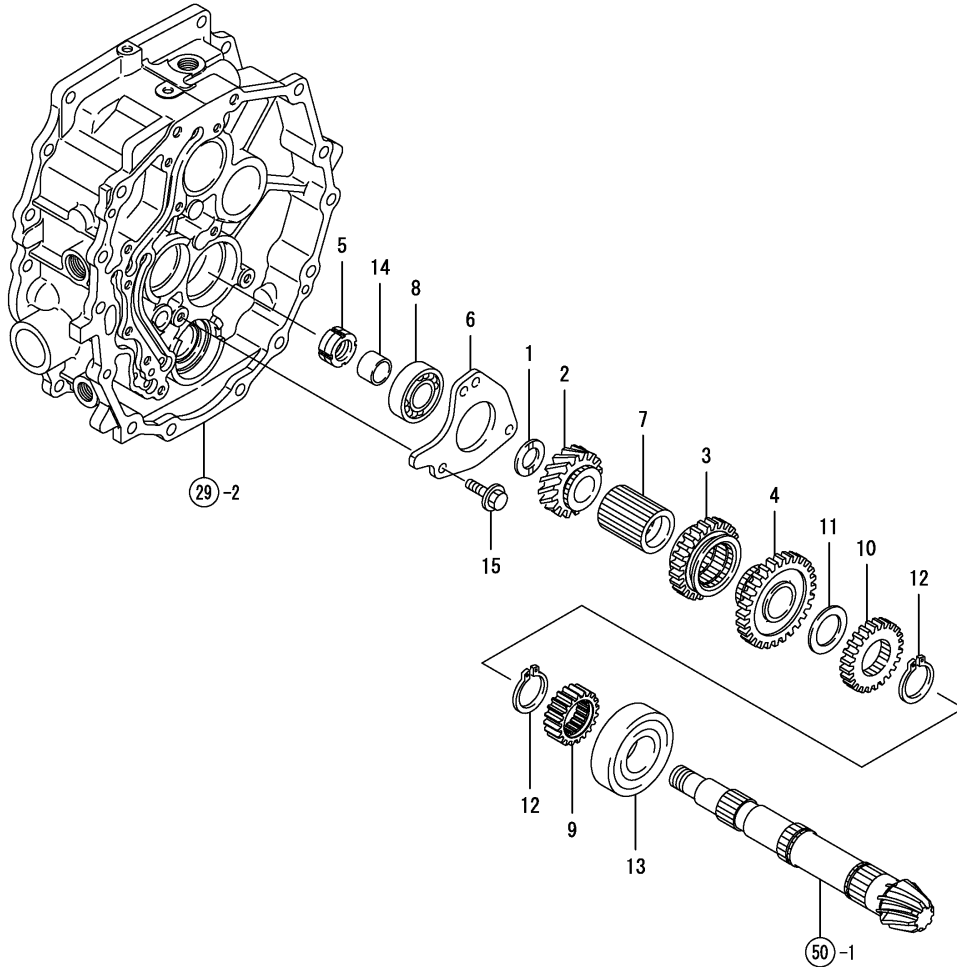
(D)=EF235EH
(E)=
(F)=

REF.	LEV.	PARTS NO.	DESCRIPTION	Q'TY						I	R
				(A)	(B)	(C)	(D)	(E)	(F)		
1	1	194310-25100	JOINT	1	1	1	1				
2	1	198280-25420	SHAFT, REDUCTION	1	1	1	1				
3	1	198280-25650	GEAR, REDUCTION	1	1	1	1				
4	1	198280-25660	GEAR, REDUCTION	1	1	1	1				
5	1	22242-000340	CIRCLIP 34	1	1	1	1				
6	1	22252-000170	CIRCLIP 17	1	1	1	1				
7	1	24101-062024	BALL BEARING	1	1	1	1				
8	1	24101-063044	BALL BEARING	1	1	1	1				

Fig.31. COUNTER SHAFT

(A)=EF227EH
(B)=EF230EH
(C)=EF233EH

(D)=EF235EH
(E)=
(F)=

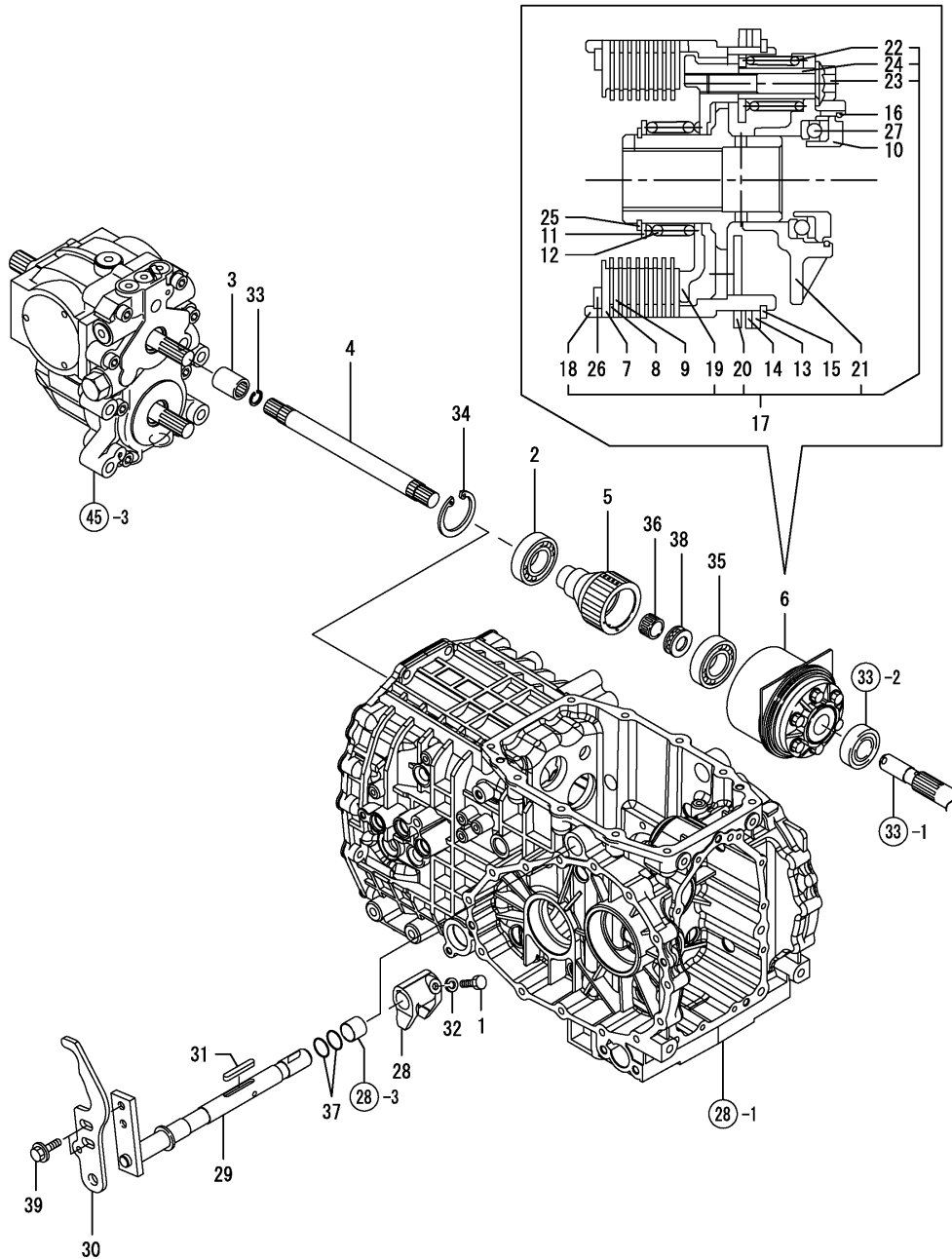


REF.	LEV.	PARTS NO.	DESCRIPTION	QTY						I	R
				(A)	(B)	(C)	(D)	(E)	(F)		
1	1	198200-25490	WASHER, 20	1	1	1	1				
2	1	198280-25520	GEAR, COUNTER	1	1	1	1				
3	1	198280-25530	GEAR, SLIDE	1	1	1	1				
4	1	198280-25540	GEAR, COUNTER	1	1	1	1				
5	1	198280-25550	NUT, 20	1	1	1	1				
6	1	198280-25590	PLATE	1	1	1	1				
7	1	198280-25810	COLLAR, SPLINE	1	1	1	1				
8	1	194555-25880	BALL BEARING	1	1	1	1				
9	1	198200-28250	GEAR, FRONT DRIVE	1	1	1	1				
10	1	198280-28260	GEAR, FRONT DRIVE 24	1	1	1	1				
11	1	194191-28350	WASHER 30X45X2.5	1	1	1	1				
12	1	22242-000340	CIRCLIP 34	2	2	2	2				
13	1	24101-063074	BEARING	1	1	1	1				
14	1	24163-205170	INNER RACE 202517	1	1	1	1				
15	1	26106-080202	BOLT M 8X 20 PLATED	3	3	3	3				

Fig.32. P.T.O. CLUTCH

(A)=EF227EH
(B)=EF230EH
(C)=EF233EH

(D)=EF235EH
(E)=
(F)=



REF.	LEV.	PARTS NO.	DESCRIPTION	QTY						I	R
				(A)	(B)	(C)	(D)	(E)	(F)		
1	1	198221-13410	BOLT	1	1	1	1				
2	1	194430-24190	BALL BEARING	1	1	1	1				
3	1	194310-25100	JOINT	1	1	1	1				
4	1	198280-26010	SHAFT, CONNECTING	1	1	1	1				
5	1	198280-26020	HUB, PTO. CLUTCH	1	1	1	1				
6	1	198280-26030	CLUTCH ASSY,PTO	1	1	1	1				
7	2	198287-26110	PLATE	1	1	1	1				
8	2	198287-26120	DISK PLATE	8	8	8	8				
9	2	198287-26130	PLATE	8	8	8	8				
10	2	198287-26140	HOLDER, BEARING	1	1	1	1				
11	2	198287-26150	WASHER, SPRING	1	1	1	1				
12	2	198287-26160	SPRING, BRAKE	1	1	1	1				
13	2	198287-26170	BRAKE, PRESSURE	1	1	1	1				
14	2	198287-26180	BRAKE DISC	1	1	1	1				
15	2	198287-26190	RING	1	1	1	1				
16	2	198287-26200	RING	1	1	1	1				
17	2	198287-26210	CASE ASSY, CLUTCH	1	1	1	1				
18	3	198287-26220	CASE, CLUTCH	1	1	1	1				
19	3	198287-26230	PLATE,PRESSURE	1	1	1	1				
20	3	198287-26240	BACK PLATE	1	1	1	1				
21	3	198287-26250	LIFTER, CLUTCH	1	1	1	1				
22	3	198287-26260	CLUTCH SPRING	6	6	6	6				
23	3	198287-26270	BOLT	6	6	6	6				
24	3	198287-26280	COLLAR	6	6	6	6				
25	2	22242-000350	CIRCLIP 35	1	1	1	1				
26	2	22252-001000	CIRCLIP 100(H)	1	1	1	1				
27	2	24520-511060	THRUST BEARING	1	1	1	1				
28	1	198280-26040	YOKE, CLUTCH SHIFT	1	1	1	1				
29	1	198280-26050	SHAFT, RELEASE	1	1	1	1				
30	1	198280-26090	ARM, PTO CLUTCH	1	1	1	1				
31	1	194850-26330	KEY 7X8.5X40	1	1	1	1				
32	1	22217-080000	SPRING WASHER 8	1	1	1	1				
33	1	22252-000170	CIRCLIP 17	1	1	1	1				
34	1	22252-000580	CIRCLIP 58	1	1	1	1				
35	1	24101-062044	BALL BEARING #6204	1	1	1	1				
36	1	24162-202616	NEEDLE BEARING	1	1	1	1				
37	1	24311-000220	O-RING 1A P-22.0	2	2	2	2				
38	1	24520-511040	BEARING 51104	1	1	1	1				
39	1	26106-100202	BOLT M10X 20 PLATED	1	1	1	1				

Fig.33. P.T.O. DRIVE SHAFT

(A)=EF227EH
 (B)=EF230EH
 (C)=EF233EH

(D)=EF235EH
 (E)=
 (F)=

REF.	LEV.	PARTS NO.	DESCRIPTION	Q'TY						I	R
				(A)	(B)	(C)	(D)	(E)	(F)		
1	1	198280-26250	SHAFT, PINION	1	1	1	1				
2	1	24101-062054	BEARING #6205	1	1	1	1				
3	1	24104-063054	BALL BEARING	1	1	1	1				

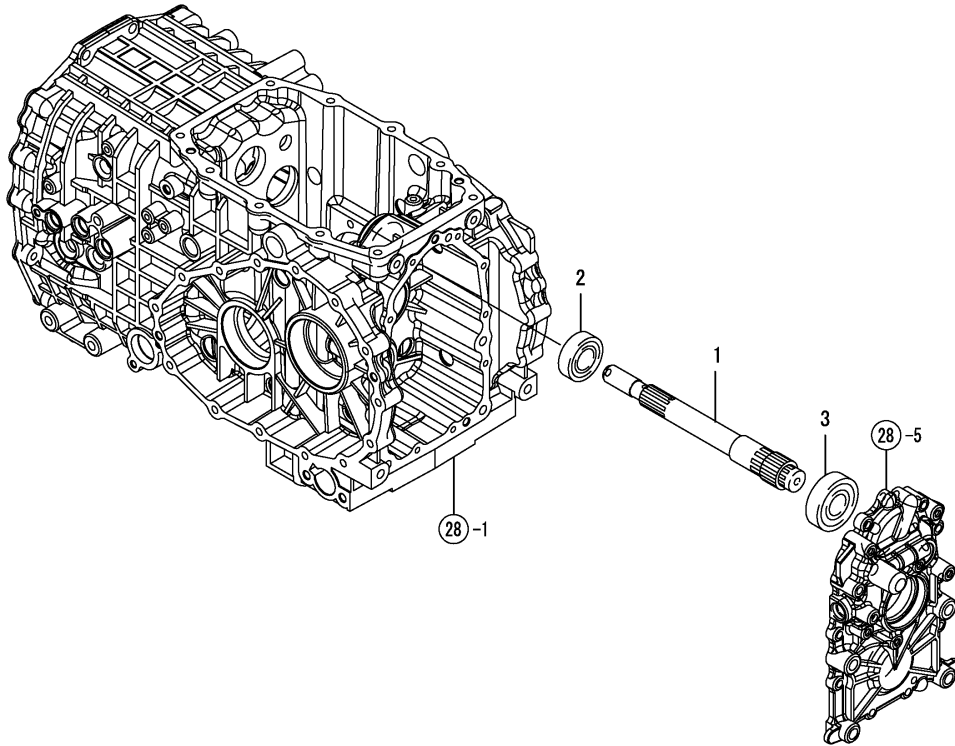
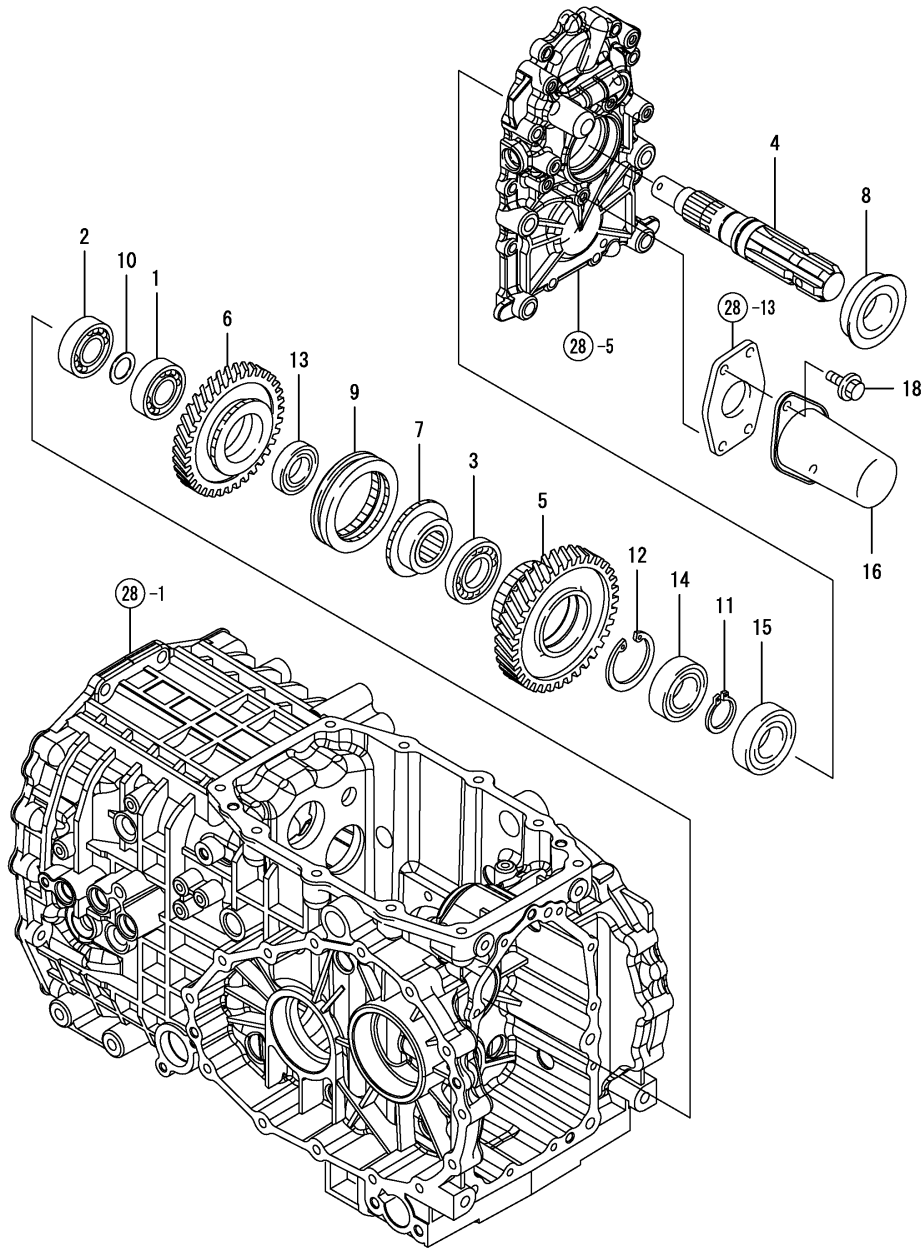


Fig.34. P.T.O. SHAFT

(A)=EF227EH
(B)=EF230EH
(C)=EF233EH

(D)=EF235EH
(E)=
(F)=

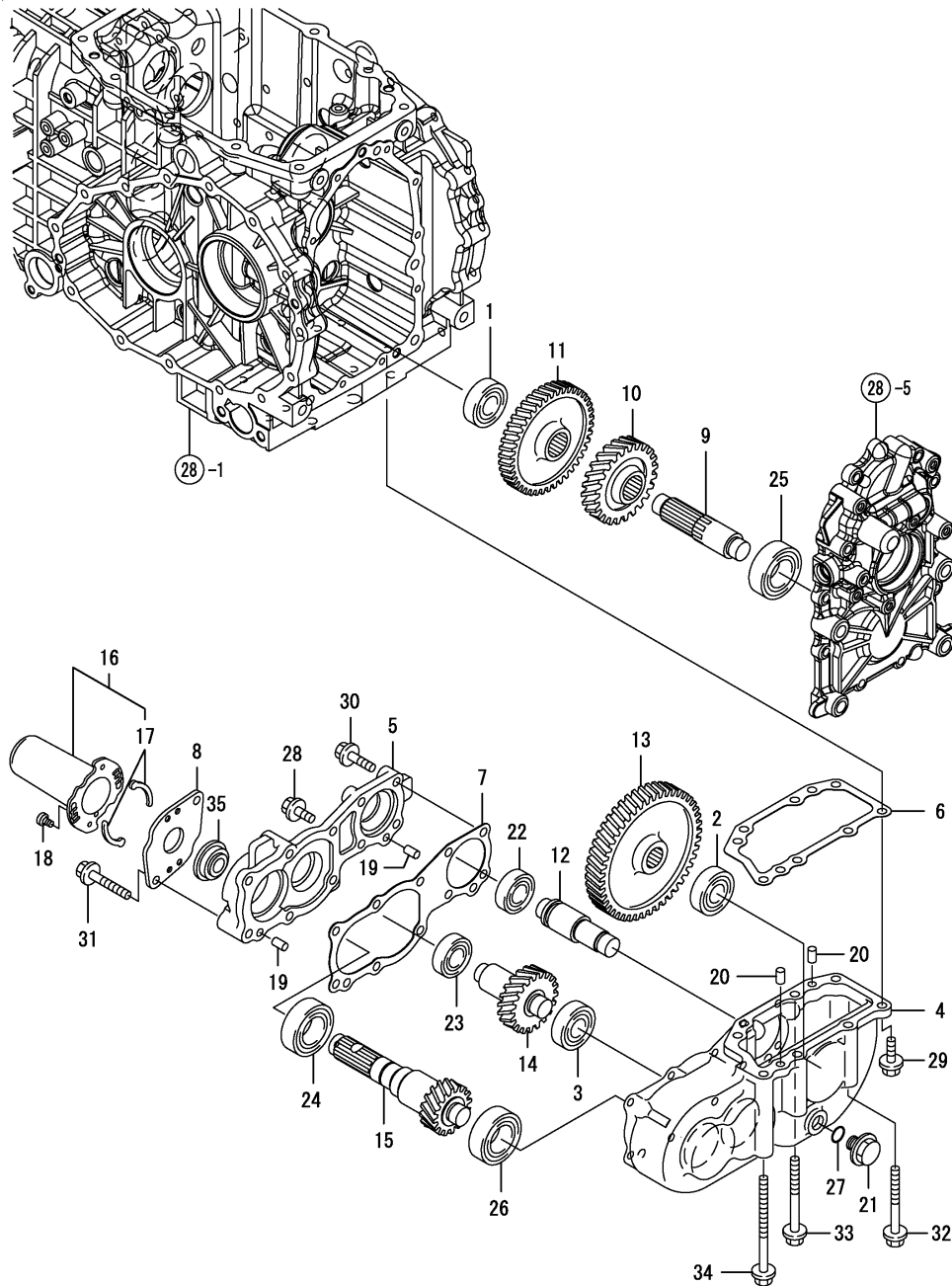


REF.	LEV.	PARTS NO.	DESCRIPTION	QTY						I	R
				(A)	(B)	(C)	(D)	(E)	(F)		
1	1	194447-13860	BALL BEARING	1	1	1	1				
2	1	194447-13860	BALL BEARING	1	1	1	1				
3	1	194430-25460	BALL BEARING 16006	1	1	1	1				
4	1	198280-26310	SHAFT, PTO.	1	1	1	1				
5	1	198280-26320	GEAR, PTO	1	1	1	1				
6	1	198280-26330	GEAR, PTO PINION	1	1	1	1				
7	1	198280-26340	COLLAR, SPLINE	1	1	1	1				
8	1	194370-26350	SEAL QLF 35 60 19	1	1	1	1				
9	1	198280-26350	SHIFTER	1	1	1	1				
10	1	1E6440-54430	THRUST WASHER B	1	1	1	1				
11	1	22242-000300	CIRCLIP 30	1	1	1	1				
12	1	22252-000550	CIRCLIP 55	1	1	1	1				
13	1	24101-060054	BALL BEARING 6005	1	1	1	1				
14	1	24101-060064	BALL BEARING	1	1	1	1				
15	1	24101-062064	BALL BEARING 6206	1	1	1	1				
16	1	1A7100-26850	COVER M COMP.,SHAFT	1	1	1	1				
18	1	26106-080122	BOLT M 8X 12 PLATED	2	2	2	2				

Fig.35. MID P.T.O.

(A)=EF227EH
(B)=EF230EH
(C)=EF233EH

(D)=EF235EH
(E)=
(F)=



REF.	LEV.	PARTS NO.	DESCRIPTION	QTY						I	R
				(A)	(B)	(C)	(D)	(E)	(F)		
1	1	194447-13860	BALL BEARING	1	1	1	1				
2	1	194447-13860	BALL BEARING	1	1	1	1				
3	1	194447-13860	BALL BEARING	1	1	1	1				
4	1	198280-26410	HOUSING, MID PTO.	1	1	1	1				
5	1	198280-26420	COVER, PTO. HOUSING	1	1	1	1				
6	1	198280-26430	GASKET, PTO. HOUSING	1	1	1	1				
7	1	198280-26440	GASKET, PTO COVER	1	1	1	1				
8	1	198280-26450	PLATE, SHAFT COVER	1	1	1	1				
9	1	198280-26510	SHAFT, MID PTO. IDLE	1	1	1	1				
10	1	198280-26520	GEAR, MID PTO. IDLE	1	1	1	1				
11	1	198280-26530	GEAR, MID PTO. IDLE	1	1	1	1				
12	1	198280-26540	SHAFT, MID PTO. IDLE	1	1	1	1				
13	1	198280-26550	GEAR, MID PTO. IDLE	1	1	1	1				
14	1	198280-26560	SHAFT, MID PTO. IDLE	1	1	1	1				
15	1	198280-26580	SHAFT, MID PTO.	1	1	1	1				
16	1	194850-26850	COVER ASSY, SHAFT	1	1	1	1				
17	2	194850-26870	SPRING, SHIFT COVER	2	2	2	2				
18	1	194250-32530	PIN, COVER HOOK	2	2	2	2				
19	1	22312-080140	PIN 8X14,STRAIGHT	2	2	2	2				
20	1	22312-080140	PIN 8X14,STRAIGHT	2	2	2	2				
21	1	23491-140002	PLUG 14	1	1	1	1				
22	1	24101-060044	BALL BEARING #6004	1	1	1	1				
23	1	24101-060044	BALL BEARING #6004	1	1	1	1				
24	1	24101-060064	BALL BEARING	1	1	1	1				
25	1	24101-062044	BALL BEARING #6204	1	1	1	1				
26	1	24101-062044	BALL BEARING #6204	1	1	1	1				
27	1	24311-000160	O-RING 1A P-16.0	1	1	1	1				
28	1	26106-080202	BOLT M 8X 20 PLATED	4	4	4	4				
29	1	26106-080252	BOLT M 8X 25 PLATED	2	2	2	2				
30	1	26106-080302	BOLT M 8X 30 PLATED	4	4	4	4				
31	1	26106-080502	BOLT M 8X 50 PLATED	2	2	2	2				
32	1	26106-080752	BOLT M 8X 75 PLATED	2	2	2	2				
33	1	26106-080852	BOLT M 8X 85 PLATED	2	2	2	2				
34	1	26106-081102	BOLT M 8X110 PLATED	2	2	2	2				
35	1	933147-10350	SEAL QLF 25471121	1	1	1	1				

Fig.37. CLUTCH LEVER

0CNP4-G32200 37. CLUTCH LEVER

(A)=EF227EH
(B)=EF230EH
(C)=EF233EH

(D)=EF235EH
(E)=
(F)=

REF.	LEV.	PARTS NO.	DESCRIPTION	Q'TY						I	R
				(A)	(B)	(C)	(D)	(E)	(F)		
1	1	198280-26610	LEVER, PTO. CLUTCH	1	1	1	1				
2	1	26106-080202	BOLT M 8X 20 PLATED	2	2	2	2				
3	1	174845-27700	BOOT, SHAFT	1	1	1	1				
4	1	198200-27910	KNOB, YELLOW	1	1	1	1				
4-1	1	198200-27911	KNOB, YELLOW	1	1	1	1				N
		(A=FZZZZZ)	(B=FZZZZZ)	(C=FZZZZZ)	(D=FZZZZZ)						

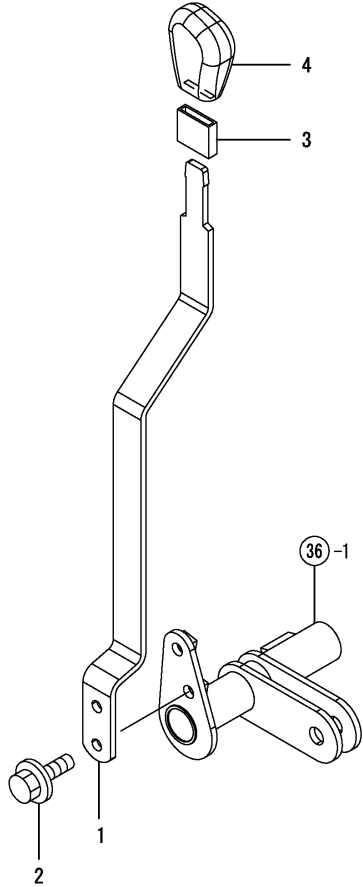


Fig.38. LEVER BRACKET(RIGHT)

0CNP4-G32200 38. LEVER BRACKET(RIGHT)

(A)=EF227EH
(B)=EF230EH
(C)=EF233EH

(D)=EF235EH
(E)=
(F)=

REF.	LEV.	PARTS NO.	DESCRIPTION	Q'TY						I	R
				(A)	(B)	(C)	(D)	(E)	(F)		
1	1	198280-28160	BRACKET, LEVER R	1	1	1	1				
2	1	26106-080162	BOLT M 8X 16 PLATED	3	3	3	3				
3	1	26106-100202	BOLT M10X 20 PLATED	1	1	1	1				

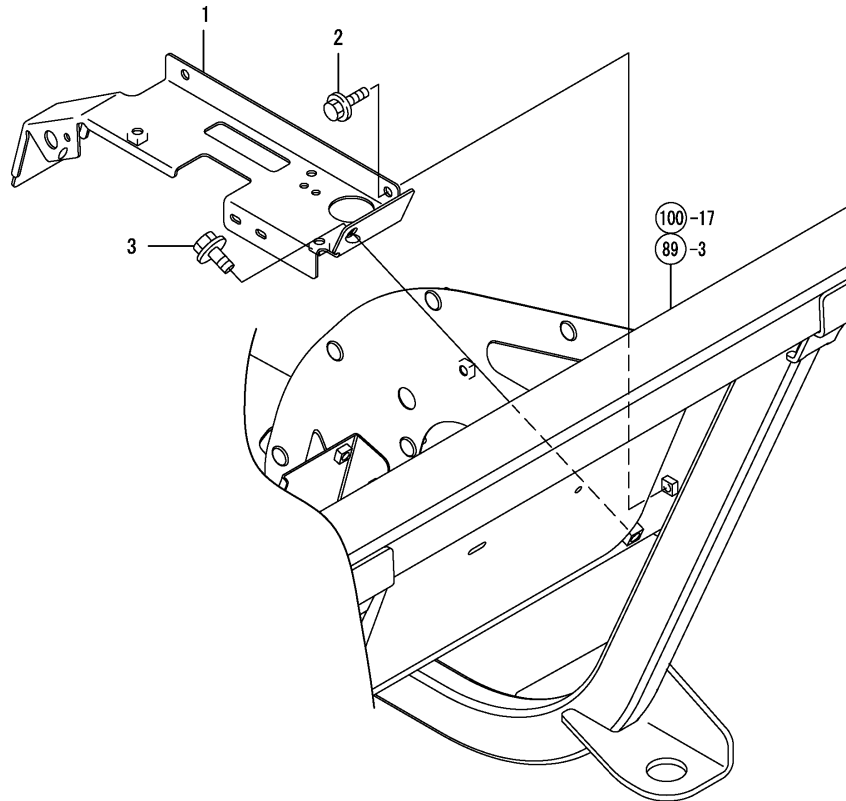
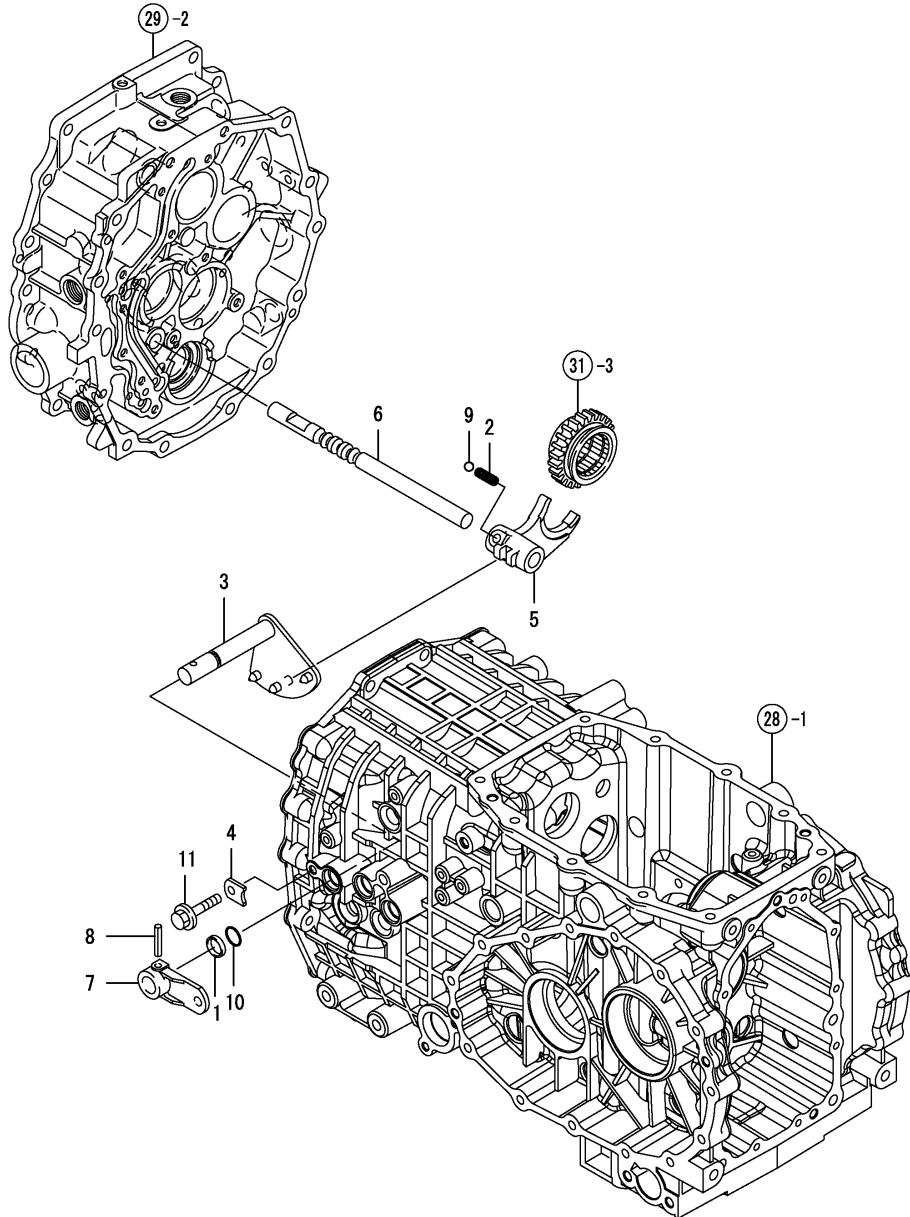


Fig.39. SUB CHANGE SHIFT

(A)=EF227EH
(B)=EF230EH
(C)=EF233EH

(D)=EF235EH
(E)=
(F)=

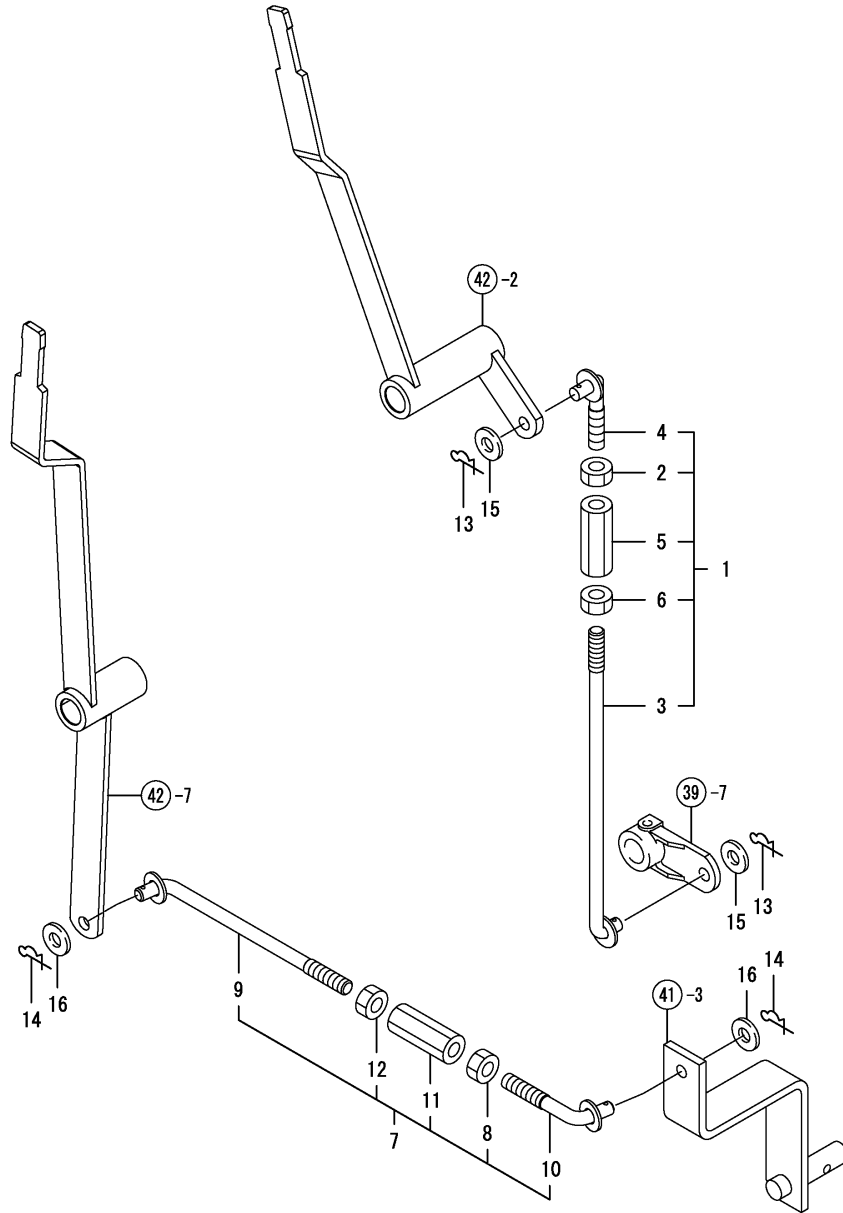


REF.	LEV.	PARTS NO.	DESCRIPTION	Q'TY						I	R
				(A)	(B)	(C)	(D)	(E)	(F)		
1	1	198119-27150	COLLOR	1	1	1	1				
2	1	194145-27450	SPRING	1	1	1	1				
3	1	198280-27520	ARM, RANGE SHIFT	1	1	1	1				
4	1	198119-27570	PLATE	1	1	1	1				
5	1	198280-27570	FORK, RANGE SHIFT	1	1	1	1				
6	1	198280-27580	SHAFT, FORK	1	1	1	1				
7	1	198072-27650	ARM, SHIFT	1	1	1	1				
8	1	22351-060032	SPRING PIN 6X32	1	1	1	1				
9	1	24190-100001	BALL 5/16, STEEL	1	1	1	1				
10	1	24311-000160	O-RING 1A P-16.0	1	1	1	1				
11	1	26106-080162	BOLT M 8X 16 PLATED	1	1	1	1				

Fig.40. CHANGE LINK

(A)=EF227EH
(B)=EF230EH
(C)=EF233EH

(D)=EF235EH
(E)=
(F)=

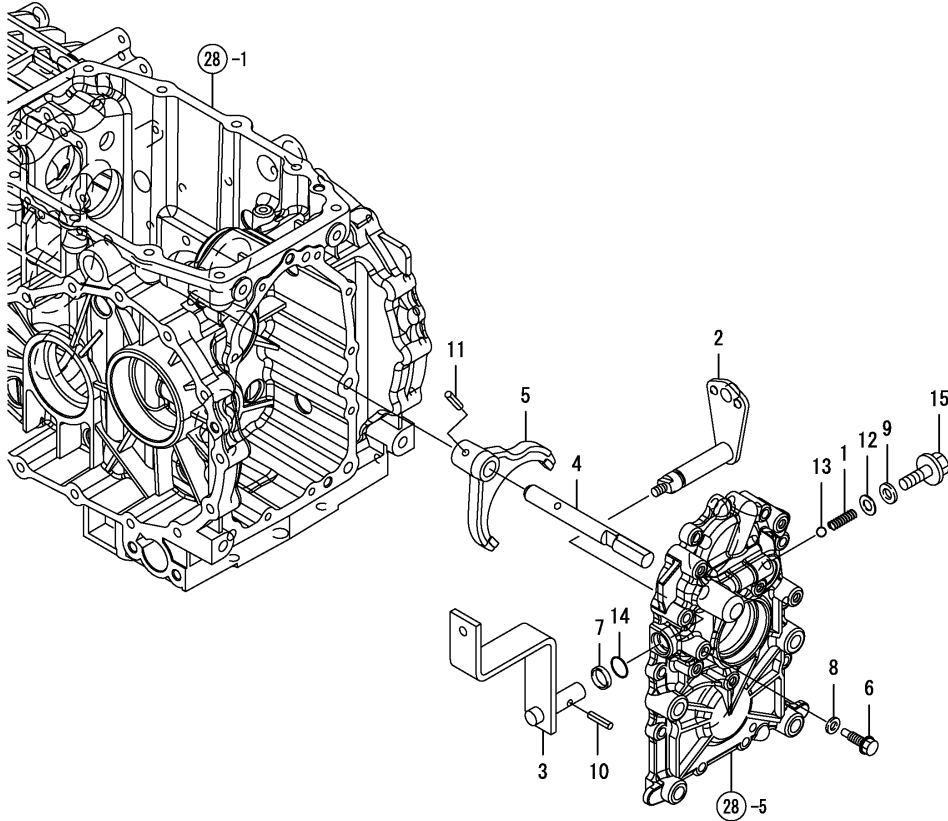


REF.	LEV.	PARTS NO.	DESCRIPTION	QTY						I	R
				(A)	(B)	(C)	(D)	(E)	(F)		
1	1	198280-27650	ROD ASSY, RENGE SHIF	1	1	1	1				
2	2	194150-22480	NUT M10	1	1	1	1				
3	2	198280-27660	ROD ASSY, M10	1	1	1	1				
4	2	198121-28160	ROD M10,LEFT	1	1	1	1				
5	2	194250-47490	TURNBUCKLE 10X50	1	1	1	1				
6	2	26716-100002	NUT 10	1	1	1	1				
7	1	198280-27960	ROD ASSY, MBR SHIFT	1	1	1	1				
8	2	194150-22480	NUT M10	1	1	1	1				
9	2	198280-27970	ROD A ASSY,MBR SHIF	1	1	1	1				
10	2	198280-28000	L-BOLT,M10 L	1	1	1	1				
11	2	194250-47490	TURNBUCKLE 10X50	1	1	1	1				
12	2	26716-100002	NUT 10	1	1	1	1				
13	1	1C6360-65700	SNAP PIN 10	2	2	2	2				
14	1	1C6360-65700	SNAP PIN 10	2	2	2	2				
15	1	22137-100000	WASHER 10,POLISHED	2	2	2	2				
16	1	22137-100000	WASHER 10,POLISHED	2	2	2	2				

Fig.41. P.T.O. SHIFT

(A)=EF227EH
(B)=EF230EH
(C)=EF233EH

(D)=EF235EH
(E)=
(F)=



REF.	LEV.	PARTS NO.	DESCRIPTION	Q'TY						I	R
				(A)	(B)	(C)	(D)	(E)	(F)		
1	1	194680-27540	SPRING, FORK LOCK	1	1	1	1				
2	1	198280-27710	ARM, PTO. SHIFT	1	1	1	1				
3	1	198280-27740	ARM, PTO. SHIFT	1	1	1	1				
4	1	198280-27770	SHAFT, FORK PTO.	1	1	1	1				
5	1	198280-27780	FORK, PTO SHIFT	1	1	1	1				
6	1	198280-27790	BOLT, SET	1	1	1	1				
7	1	198121-28380	COLLAR B, SHIFT ARM	1	1	1	1				
8	1	22190-080000	SEAL WASHER 8(BOLT)	1	1	1	1				
9	1	22190-100000	SEAL WASHER 10(BOLT)	1	1	1	1				
10	1	22351-060025	SPRING PIN 6X25	1	1	1	1				
11	1	22351-060025	SPRING PIN 6X25	1	1	1	1				
12	1	23414-100000	GASKET 10, ROUND	1	1	1	1				
13	1	24190-080001	BALL 1/4, STEEL	1	1	1	1				
14	1	24311-000150	O-RING 1A P-15.0	1	1	1	1				
15	1	26106-100302	BOLT M10X 30 PLATED	1	1	1	1				

Fig.42. SUB CHANGE LEVER & P.T.O.LEVER

(A)=EF227EH

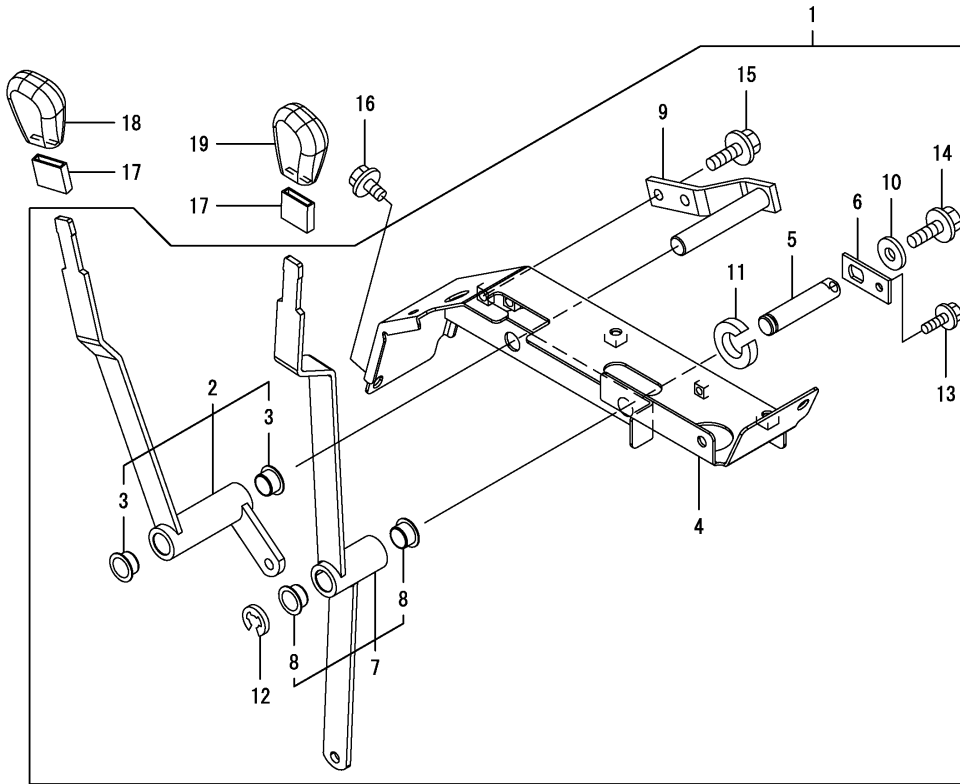
(B)=EF230EH

(C)=EF233EH

(D)=EF235EH

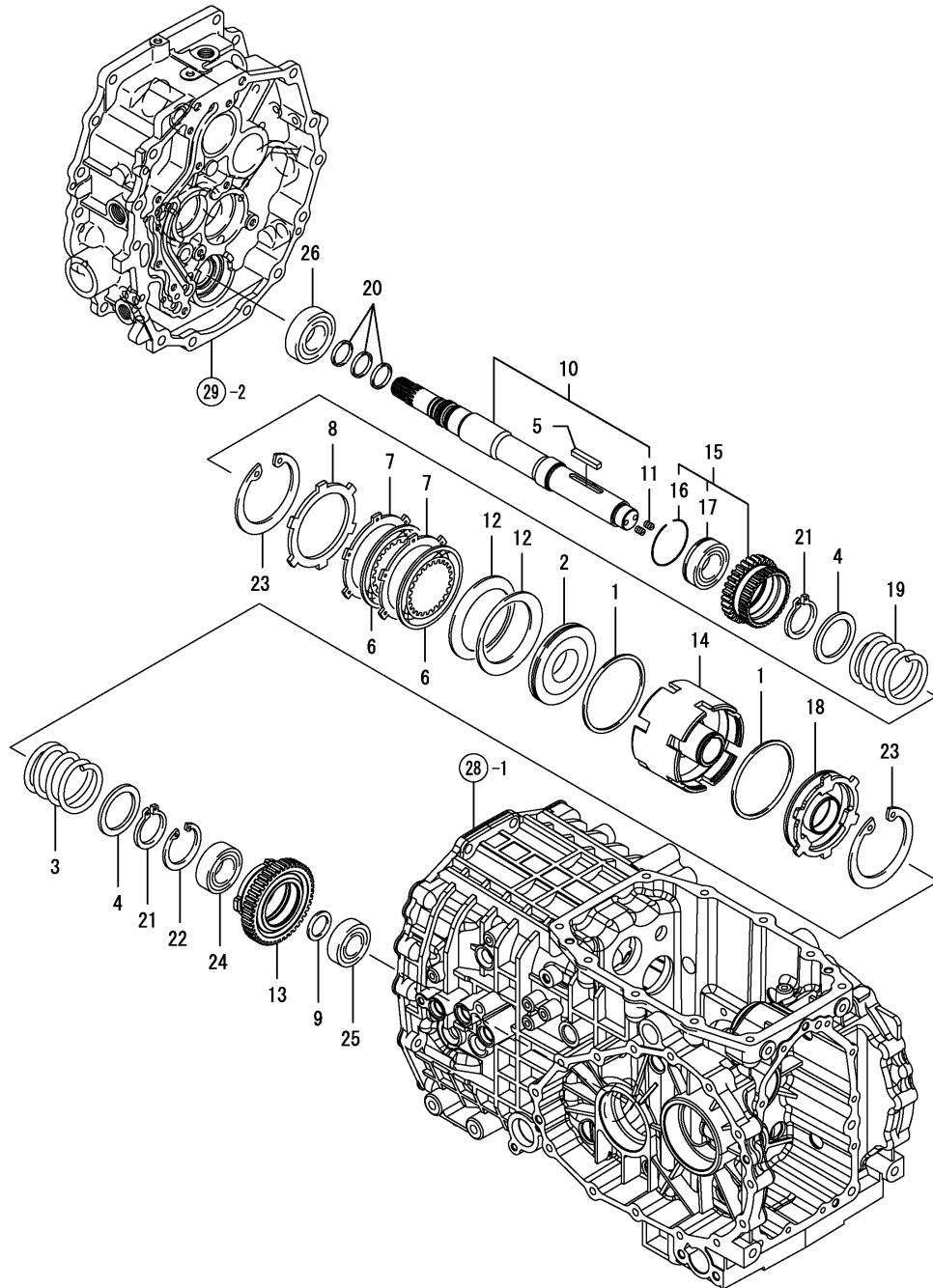
(E)=

(F)=



REF.	LEV.	PARTS NO.	DESCRIPTION	QTY						I	R
				(A)	(B)	(C)	(D)	(E)	(F)		
1	1	198280-27800	SUB SHIFT PTO LEVER	1	1	1	1				
2	2	198280-27610	LEVER ASSY, RANGE	1	1	1	1				
3	3	1S6489-63330	LFF 1610	2	2	2	2				
4	2	198280-27810	BRACKET ASSY,LEVER L	1	1	1	1				
5	2	198280-27860	PIN	1	1	1	1				
6	2	198280-27870	PLATE	1	1	1	1				
7	2	198280-27880	LEVER ASSY, MBR	1	1	1	1				
8	3	1S6489-63330	LFF 1610	2	2	2	2				
9	2	198280-28700	SHAFT, SUB SHIFT	1	1	1	1				
10	2	22157-080000	WASHER 8	1	1	1	1				
11	2	22217-160000	SPRING WASHER 16	1	1	1	1				
12	2	22272-000120	CIRCLIP E-12	1	1	1	1				
13	2	26106-060122	BOLT M 6X 12 PLATED	1	1	1	1				
14	2	26106-080122	BOLT M 8X 12 PLATED	1	1	1	1				
15	2	26106-080162	BOLT M 8X 16 PLATED	2	2	2	2				
16	1	26106-080162	BOLT M 8X 16 PLATED	2	2	2	2				
17	1	174845-27700	BOOT, SHAFT	2	2	2	2				
18	1	198200-27810	KNOB, ORANGE	1	1	1	1				
18-1	1	198200-27811	KNOB, ORANGE	1	1	1	1				N
		(A=FZZZZZ)	(B=FZZZZZ)	(C=FZZZZZ)	(D=FZZZZZ)						
19	1	198200-27910	KNOB, YELLOW	1	1	1	1				
19-1	1	198200-27911	KNOB, YELLOW	1	1	1	1				N
		(A=FZZZZZ)	(B=FZZZZZ)	(C=FZZZZZ)	(D=FZZZZZ)						

Fig.43. FRONT DRIVE



(A)=EF227EH
(B)=EF230EH
(C)=EF233EH

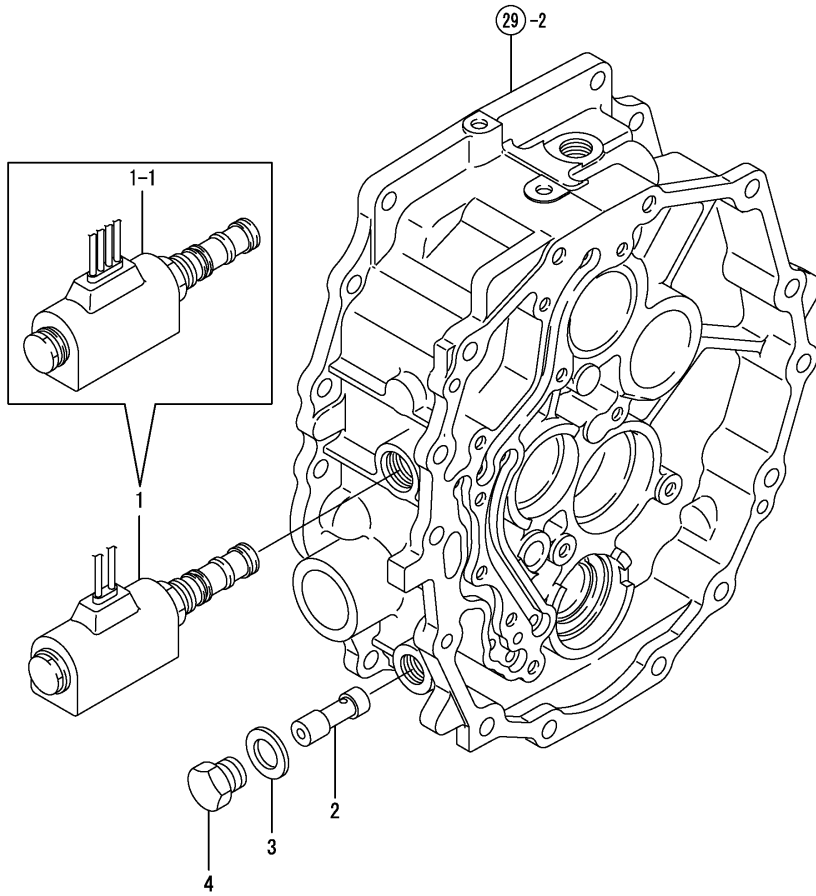
(D)=EF235EH
(E)=
(F)=

REF.	LEV.	PARTS NO.	DESCRIPTION	Q'TY						I	R
				(A)	(B)	(C)	(D)	(E)	(F)		
1	1	194515-25530	D-RING 95	2	2	2	2				
2	1	194515-25540	PISTON, CLUTCH	1	1	1	1				
3	1	194300-25790	SPRING	1	1	1	1				
4	1	194440-25810	RETAINER, SPRING	2	2	2	2				
5	1	194850-26330	KEY 7X8.5X40	1	1	1	1				
6	1	194850-26340	PLATE, FRICTION	2	2	2	2				
7	1	194850-26360	PLATE 1.2, STEEL	2	2	2	2				
8	1	194850-26370	PLATE 3.2, STEEL	1	1	1	1				
9	1	194190-26840	SPACER 25X36X1.6	1	1	1	1				
10	1	198280-28190	SHAFT ASSY, DRIVE	1	1	1	1				
11	2	1E6191-54330	SCREW 7X8	2	2	2	2				
12	1	198072-28260	SPRING	2	2	2	2				
13	1	198208-28311	GEAR, CLUTCH FRONT	1	1	1	1				
14	1	198200-28322	CYLINDER, CLUTCH	1	1	1	1				
15	1	198280-28350	GEAR ASSY, CLUTCH	1	1	1	1				
16	2	198200-28340	RING, 55	1	1	1	1				
17	2	24111-060064	BALL BEARING	1	1	1	1				
18	1	198200-28390	PISTON, CLUTCH FRONT	1	1	1	1				
19	1	198200-28450	SPRING, RETURN	1	1	1	1				
20	1	198451-28750	RING 262730073,SEAL	3	3	3	3				
21	1	22242-000400	CIRCLIP 40	2	2	2	2				
22	1	22252-000550	CIRCLIP 55	1	1	1	1				
23	1	22252-000950	CIRCLIP 95	2	2	2	2				
24	1	24101-060064	BALL BEARING	1	1	1	1				
25	1	24101-060064	BALL BEARING	1	1	1	1				
26	1	24101-062054	BEARING #6205	1	1	1	1				

Fig.44. HIGH-GRIP VALVE

(A)=EF227EH
(B)=EF230EH
(C)=EF233EH

(D)=EF235EH
(E)=
(F)=

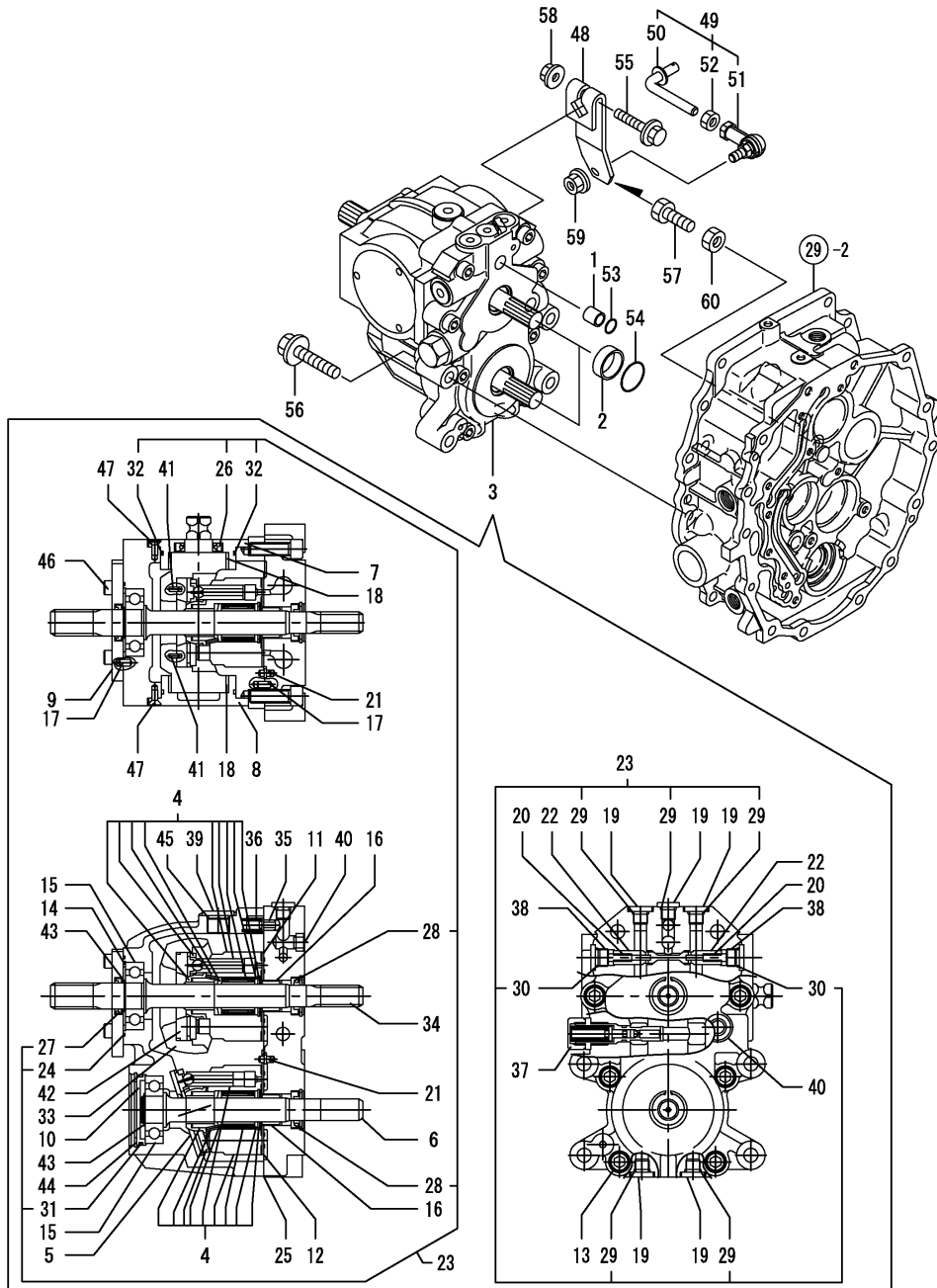


REF.	LEV.	PARTS NO.	DESCRIPTION	Q'TY						I	R
				(A)	(B)	(C)	(D)	(E)	(F)		
1	1	178076-07210	SOLENOID	1	1	1	1				
		(A=*2005.10.) (B=*2005.10.) (C=*2005.10.) (D=*2005.10.)									
1-1	1	198280-28550	VALVE, SOLENOID	1	1	1	1				S
		(A=*2005.10.) (B=*2005.10.) (C=*2005.10.) (D=*2005.10.)									
2	1	198280-28530	VALVE, SHIFT	1	1	1	1				
3	1	23414-180000	GASKET 18, ROUND	1	1	1	1				
4	1	23887-180002	PLUG 18	1	1	1	1				

Fig.45. H.S.T.

(A)=EF227EH
(B)=EF230EH
(C)=EF233EH

(D)=EF235EH
(E)=
(F)=



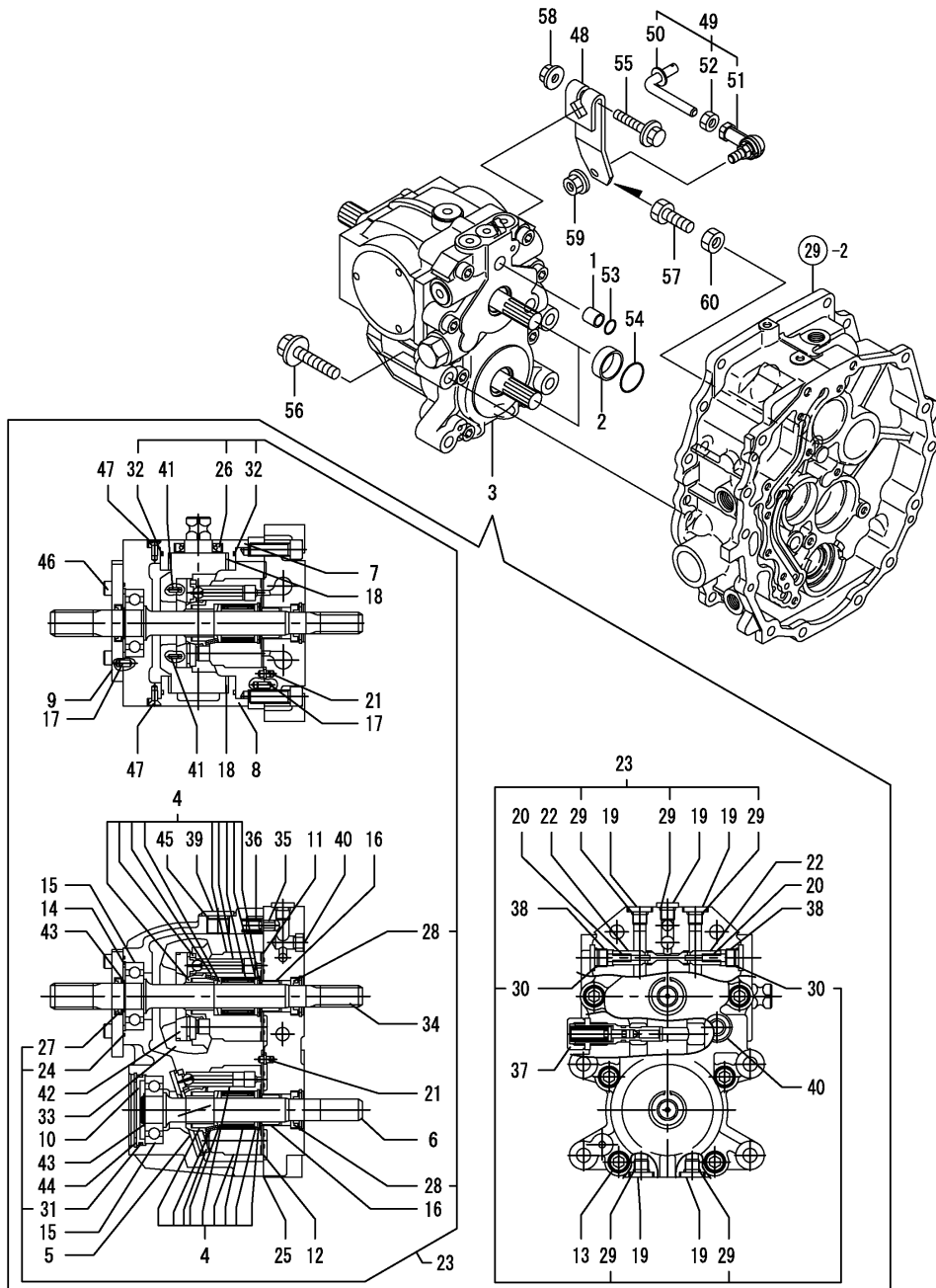
REF.	LEV.	PARTS NO.	DESCRIPTION	QTY						I	R
				(A)	(B)	(C)	(D)	(E)	(F)		
1	1	198280-24340	COLLAR, 12X16X17	2	2	2	2				
2	1	198280-24350	COLLAR, 32X35X12	2	2	2	2				
3	1	198280-25150	HST UNIT,	1	1	1	1				
4	2	1A7400-29260	BLOCK ASSY, CYLINDER	2	2	2	2				
5	2	1A7400-29310	PLATE	1	1	1	1				
6	2	1A7400-29330	SHAFT	1	1	1	1				
7	2	1A7400-29340	COVER	1	1	1	1				
8	2	1A7400-29350	COVER	1	1	1	1				
9	2	1A7400-29360	COVER	1	1	1	1				
10	2	1A7400-29370	CAP	1	1	1	1				
11	2	1A7400-29380	PLATE, VALVE	1	1	1	1				
12	2	1A7400-29390	PLATE, VALVE	1	1	1	1				
13	2	1A7400-29430	BOLT	8	8	8	8				
14	2	1A7400-29460	COLLOR	1	1	1	1				
15	2	1A7400-29470	BEARING, BALL	2	2	2	2				
16	2	1A7400-29480	BEARING, NEEDLE	2	2	2	2				
17	2	1A7400-29660	PIN	4	4	4	4				
18	2	1A7400-29670	BUSH	2	2	2	2				
19	2	1A7400-29730	PLUG	5	5	5	5				
20	2	1A7400-29790	SPRING	2	2	2	2				
21	2	1A7400-29800	PIN	2	2	2	2				
22	2	1A7400-29810	POPPET	2	2	2	2				
23	2	198280-29830	TURB. REPAIR KIT	1	1	1	1				
24	3	1A7400-29450	O-RING	1	1	1	1				
25	3	1A7400-29420	GASKET	1	1	1	1				
26	3	198280-29880	OIL SEAL	1	1	1	1				
27	3	198280-29930	OIL SEAL	1	1	1	1				
28	3	198280-29960	OIL SEAL	2	2	2	2				
29	3	24315-000110	O-RING 1B P-11.0	5	5	5	5				
30	3	24315-000140	O-RING 1B P-14.0	2	2	2	2				
31	3	24321-000600	O-RING 1A G-60.0	1	1	1	1				
32	3	24321-000650	O-RING 1A G-65.0	2	2	2	2				
33	2	198280-29840	SWASH PLATE	1	1	1	1				
34	2	198280-29850	SHAFT	1	1	1	1				
35	2	198280-29860	VALVE	1	1	1	1				
36	2	198280-29870	SPRING	1	1	1	1				
37	2	198280-29890	ASSY VALVE	1	1	1	1				
38	2	198280-29900	PLUG	2	2	2	2				
39	2	198280-29910	PLUG	1	1	1	1				
40	2	198280-29920	PLUG, SHIPPING	2	2	2	2				
41	2	198280-29940	ORIFICE	2	2	2	2				
42	2	198280-29950	PLATE	1	1	1	1				
43	2	22242-000250	CIRCLIP 25S	2	2	2	2				
44	2	22252-000650	CIRCLIP 65H	1	1	1	1				
45	2	24315-000180	O-RING 1B P-18.0	1	1	1	1				
46	2	26455-080202	BOLT, 8 X 20	4	4	4	4				
47	2	26577-060142	SCREW M 6X 14	6	6	6	6				
48	1	198280-27220	ARM, TRUNNION	1	1	1	1				
49	1	198280-29030	ROD ASSY, A	1	1	1	1				
50	2	198280-29040	PIN ASSY, A	1	1	1	1				
51	2	1C6720-47170	BALL BL10BD,RING	1	1	1	1				

N:Old $\begin{matrix} \leftarrow \text{Yes} \\ \text{No} \end{matrix}$ New, Q:Old $\begin{matrix} \leftarrow \text{No} \\ \text{Yes} \end{matrix}$ New, R:Old $\begin{matrix} \leftarrow \text{Yes} \\ \text{Yes} \end{matrix}$ New, S:Old $\begin{matrix} \leftarrow \text{No} \\ \text{No} \end{matrix}$ New, W:Add, Z:Discontinued, F:Interchangeable by set, K:Q'ty Change
 ++ CONTINUE ++
 (C)Copy Rights YANMAR CO.,LTD.

Fig.45. H.S.T.

(A)=EF227EH
(B)=EF230EH
(C)=EF233EH

(D)=EF235EH
(E)=
(F)=

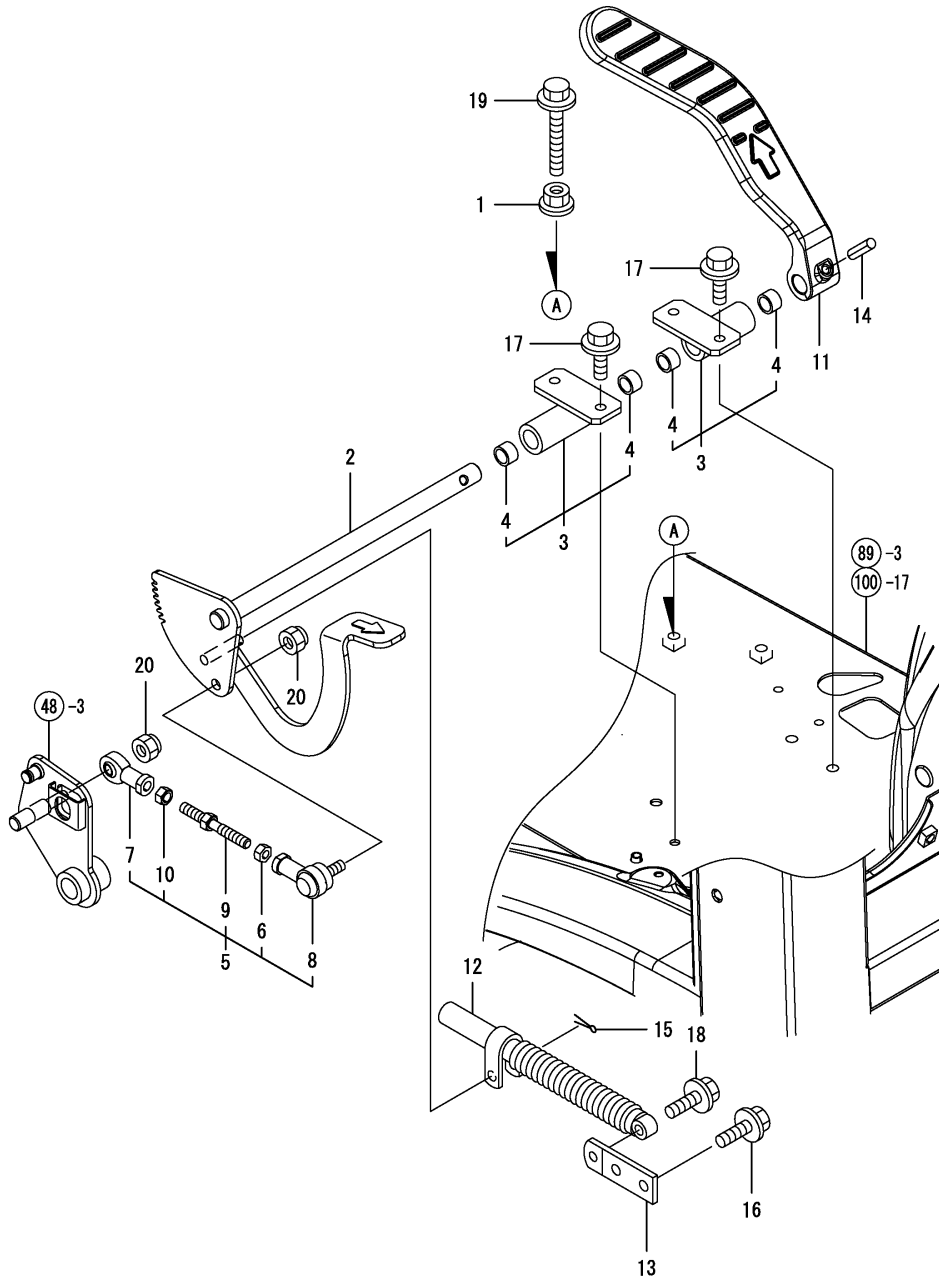


REF.	LEV.	PARTS NO.	DESCRIPTION	QTY						I	R
				(A)	(B)	(C)	(D)	(E)	(F)		
	52	2	26716-100002	NUT 10	1	1	1	1			
	53	1	24311-000160	O-RING 1A P-16.0	2	2	2	2			
	54	1	24311-000340	O-RING 1A P-34.0	2	2	2	2			
	55	1	26106-080502	BOLT M 8X 50 PLATED	1	1	1	1			
	56	1	26106-120552	BOLT, 12 X 55	4	4	4	4			
	57	1	26116-100602	BOLT M10X 60 PLATED	1	1	1	1			
	58	1	26366-080002	NUT M 8	1	1	1	1			
	59	1	26366-100002	NUT M10	1	1	1	1			
	60	1	26716-100002	NUT 10	1	1	1	1			

Fig.46. H.S.T. PEDAL

(A)=EF227EH
(B)=EF230EH
(C)=EF233EH

(D)=EF235EH
(E)=
(F)=



REF.	LEV.	PARTS NO.	DESCRIPTION	Q'TY						I	R
				(A)	(B)	(C)	(D)	(E)	(F)		
1	1	194990-22140	NUT W/WASHER 8	1	1	1	1				
2	1	198280-29250	PLATE ASSY, LOCK	1	1	1	1				
3	1	198280-29340	BRACKET ASSY, B	2	2	2	2				
4	2	24550-015120	BUSH 15X12	2	2	2	2				
5	1	198280-29390	ROD ASSY, B	1	1	1	1				
6	2	194990-20170	NUT W/WASHER 8	1	1	1	1				
7	2	198129-27290	ROD-END; 8	1	1	1	1				
8	2	194820-27370	END (L), ROD	1	1	1	1				
9	2	198280-29400	ROD ASSY, B	1	1	1	1				
10	2	26716-080002	NUT M 8	1	1	1	1				
11	1	198280-29430	HEAD, PEDAL	1	1	1	1				
12	1	194697-29580	DAMPER	1	1	1	1				
13	1	198280-29700	STAY, DUMPER	1	1	1	1				
14	1	22351-060040	SPRING PIN 6X40	1	1	1	1				
15	1	22417-200300	COTTER PIN 2.0X30	1	1	1	1				
16	1	26106-080162	BOLT M 8X 16 PLATED	2	2	2	2				
17	1	26106-080162	BOLT M 8X 16 PLATED	4	4	4	4				
18	1	26106-080252	BOLT M 8X 25 PLATED	1	1	1	1				
19	1	26106-080552	BOLT M 8X 55 PLATED	1	1	1	1				
20	1	26346-080002	U-NUT M 8 PLATED	2	2	2	2				

Fig.47. H.S.T. CRUISE A

(A)=EF227EH
(B)=EF230EH
(C)=EF233EH

(D)=EF235EH
(E)=
(F)=

REF.	LEV.	PARTS NO.	DESCRIPTION	Q'TY						I	R
				(A)	(B)	(C)	(D)	(E)	(F)		
1	1	198280-27470	LEVER ASSY, CRUISE	1	1	1	1				
2	1	198280-27490	PLATE, CRUISE	1	1	1	1				
3	1	198200-37640	COLLAR,	1	1	1	1				
4	1	198475-37690	SPRING	1	1	1	1				
5	1	198461-60590	BOLT 6* 20	1	1	1	1				
6	1	22157-080000	WASHER 8	2	2	2	2				
7	1	26106-080202	BOLT M 8X 20 PLATED	1	1	1	1				

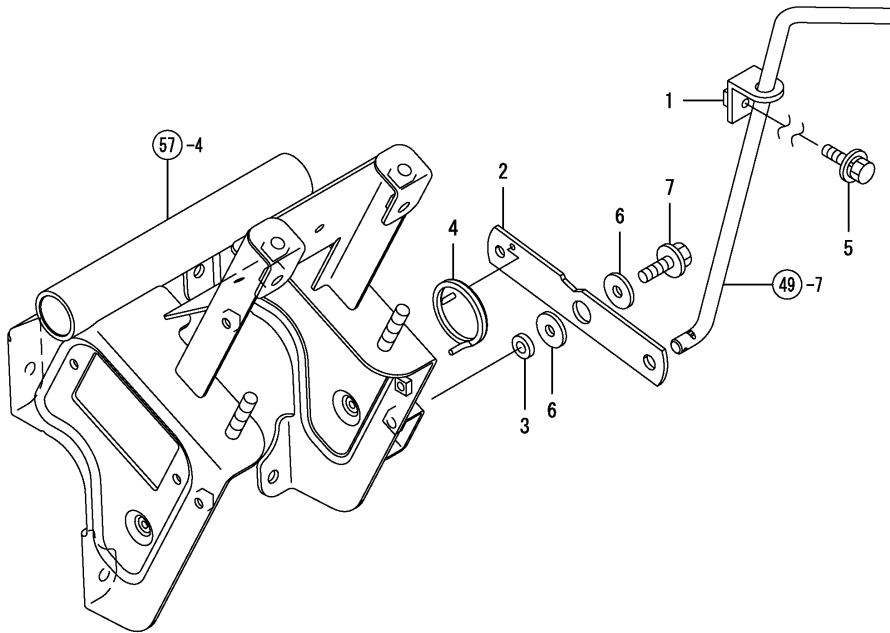
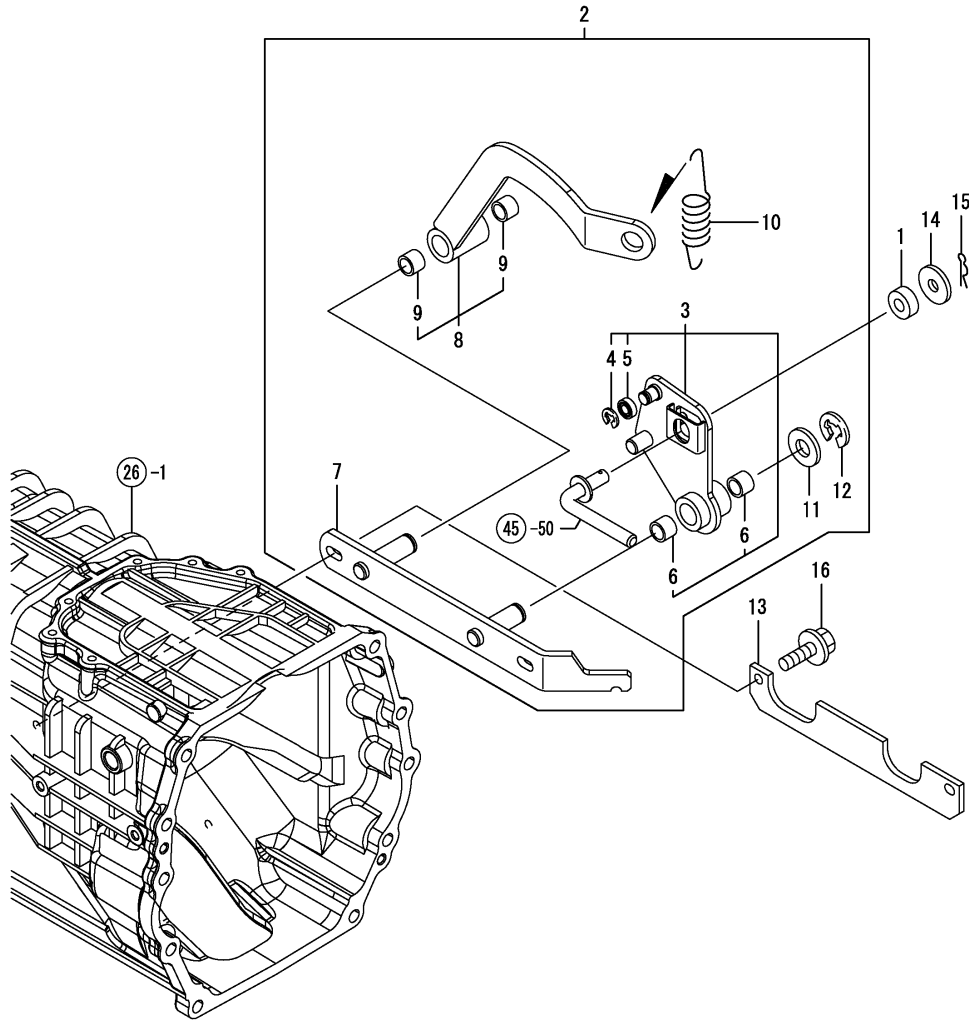


Fig.48. H.S.T. LINK

(A)=EF227EH
(B)=EF230EH
(C)=EF233EH

(D)=EF235EH
(E)=
(F)=



REF.	LEV.	PARTS NO.	DESCRIPTION	Q'TY						I	R
				(A)	(B)	(C)	(D)	(E)	(F)		
1	1	198129-27281	CAMROLLER	1	1	1	1				
2	1	198280-29000	PEDAL ASSY, HST A	1	1	1	1				
3	2	198280-29080	ARM ASSY, A	1	1	1	1				
4	3	22272-000070	CIRCLIP E- 7	1	1	1	1				
5	3	24104-060000	BEARING 6000UUC3	1	1	1	1				
6	3	24550-015120	BUSH 15X12	2	2	2	2				
7	2	198280-29150	BRACKET ASSY, A	1	1	1	1				
I 8	2	198280-29200	ARM ASSY, RETURN	1	1	1	1				
9	3	24550-015120	BUSH 15X12	2	2	2	2				
10	2	198280-29490	SPRING,	1	1	1	1				
11	2	22137-140000	WASHER 14,POLISHED	2	2	2	2				
12	2	22272-000120	CIRCLIP E-12	2	2	2	2				
13	1	198280-29810	PLATE, BRACKET	1	1	1	1				
14	1	22157-100000	WASHER 10	1	1	1	1				
15	1	22372-100000	SNAP PIN 10	1	1	1	1				
16	1	26106-080202	BOLT M 8X 20 PLATED	2	2	2	2				

Fig.49. H.S.T. CRUISE B

(A)=EF227EH
(B)=EF230EH
(C)=EF233EH

(D)=EF235EH
(E)=
(F)=

REF.	LEV.	PARTS NO.	DESCRIPTION	Q'TY						I	R
				(A)	(B)	(C)	(D)	(E)	(F)		
1	1	194464-01190	KNOB, THROTTLE LEVER	1	1	1	1				
2	1	198280-27400	LEVER UNIT, CRUISE	1	1	1	1				
3	2	198280-27410	PLATE ASSY,	1	1	1	1				
4	2	198280-27440	BRACKET ASSY, CRUISE	1	1	1	1				
5	2	22272-000070	CIRCLIP E- 7	1	1	1	1				
6	1	198280-27500	ROD, CRUISE	1	1	1	1				
7	1	198280-27510	LEVER, CRUISE	1	1	1	1				
8	1	198448-37450	BOOTS	1	1	1	1				
9	1	22137-080000	WASHER 8, POLISHED	2	2	2	2				
10	1	22137-100000	WASHER 10,POLISHED	1	1	1	1				
11	1	22372-080000	SNAP PIN (JASO 8)	2	2	2	2				
12	1	22372-100000	SNAP PIN 10	1	1	1	1				
13	1	26106-060162	BOLT M 6X 16 PLATED	3	3	3	3				

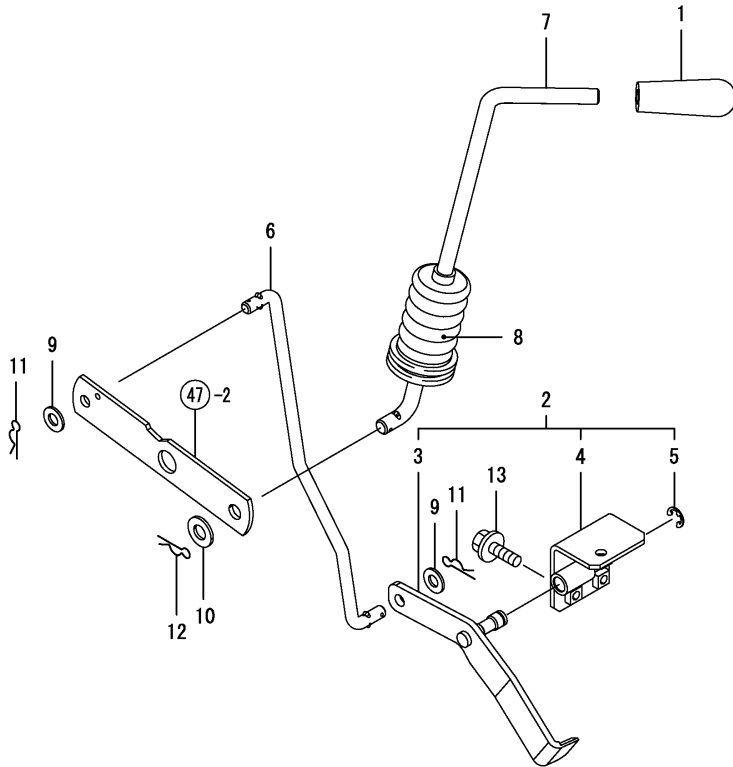
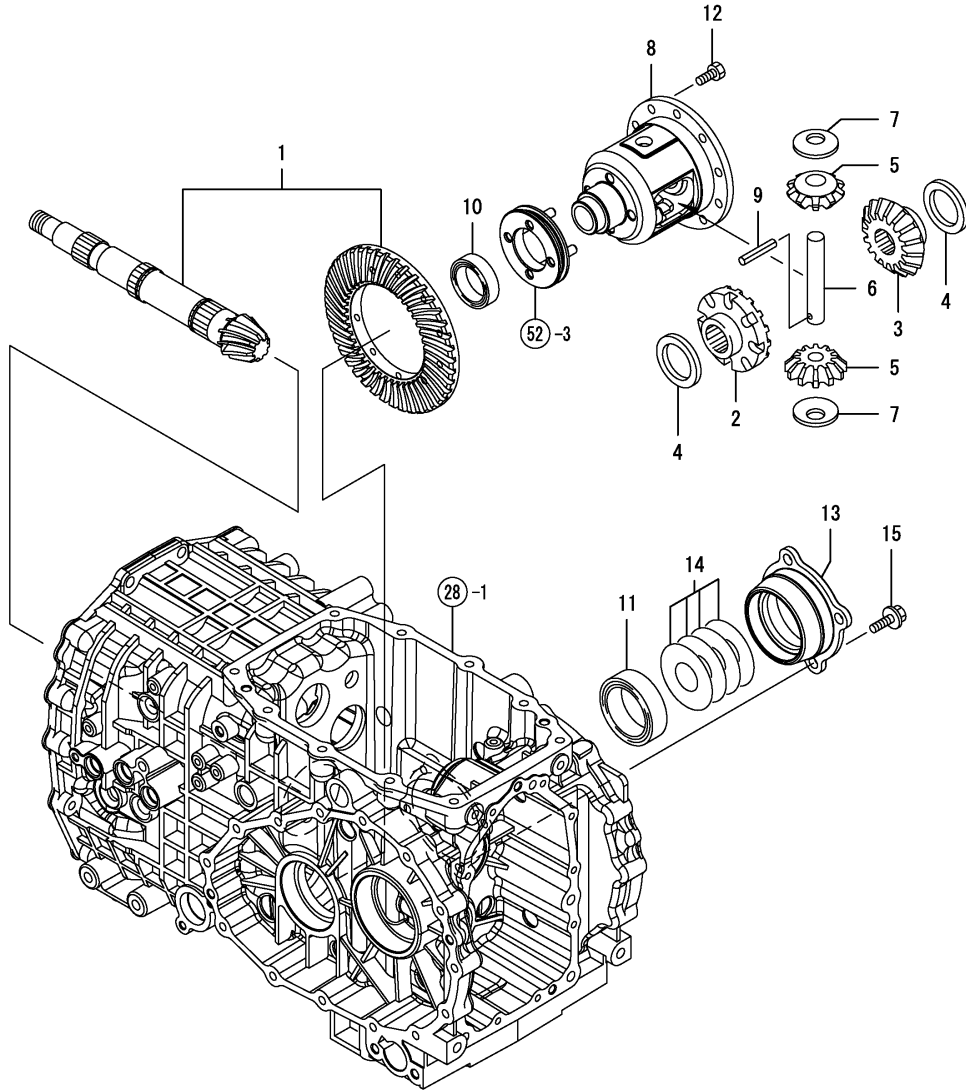


Fig.50. RING GEAR & DIFFERENTIAL GEAR



OCNP4-G32200 50. RING GEAR & DIFFERENTIAL GEAR

(A)=EF227EH

(B)=EF230EH

(C)=EF233EH

(D)=EF235EH

(E)=

(F)=

REF.	LEV.	PARTS NO.	DESCRIPTION	QTY						I	R
				(A)	(B)	(C)	(D)	(E)	(F)		
1	1	198280-31400	GEAR ASSY, RING	1	1	1	1				
2	1	198200-31510	GEAR, DIFF. SIDE L	1	1	1	1				
3	1	194525-31520	GEAR R,DIFF.SIDE	1	1	1	1				
4	1	194515-31610	WASHER, DIFFERENTIAL	2	2	2	2				
5	1	198200-31810	PINION, DIFF.	2	2	2	2				
6	1	198200-31820	SHAFT, DIFF. PINION	1	1	1	1				
7	1	194515-31850	WASHER, DIFFERENTIAL	2	2	2	2				
8	1	198200-32110	HOUSING, DIFF.	1	1	1	1				
9	1	22351-040040	SPRING PIN 4X40	1	1	1	1				
10	1	24101-060074	BALL BEARING	1	1	1	1				
11	1	24101-062074	BALL BEARING	1	1	1	1				
12	1	26116-080162	BOLT 8X16	10	10	10	10				
13	1	198200-32320	CARRIER, DIFF.	1	1	1	1				
14	1	194850-32340	SHIM SET	1	1	1	1				
15	1	26106-100252	BOLT M10X 25 PLATED	4	4	4	4				

Fig.51. REAR HOUSING

(A)=EF227EH
(B)=EF230EH
(C)=EF233EH

(D)=EF235EH
(E)=
(F)=

REF.	LEV.	PARTS NO.	DESCRIPTION	QTY						I	R
				(A)	(B)	(C)	(D)	(E)	(F)		
1	1	198200-32600	HOUSING ASSY, AXLE	2	2	2	2				
2	2	198290-32750	SEAL TC253506,OIL	2	2	2	2				
3	1	198200-32630	GASKET, REAR AXLE	2	2	2	2				
4	1	198200-32660	GASKET, SEAL HOUSING	2	2	2	2				
5	1	198475-32660	SEAL QLNY527514.5	2	2	2	2				
6	1	198200-32730	HOUSING, SEAL	2	2	2	2				
7	1	22312-080140	PIN 8X14,STRAIGHT	4	4	4	4				
8	1	26106-080402	BOLT M 8X 40 PLATED	8	8	8	8				
9	1	26106-100502	BOLT M10X 50 PLATED	28	28	28	28				

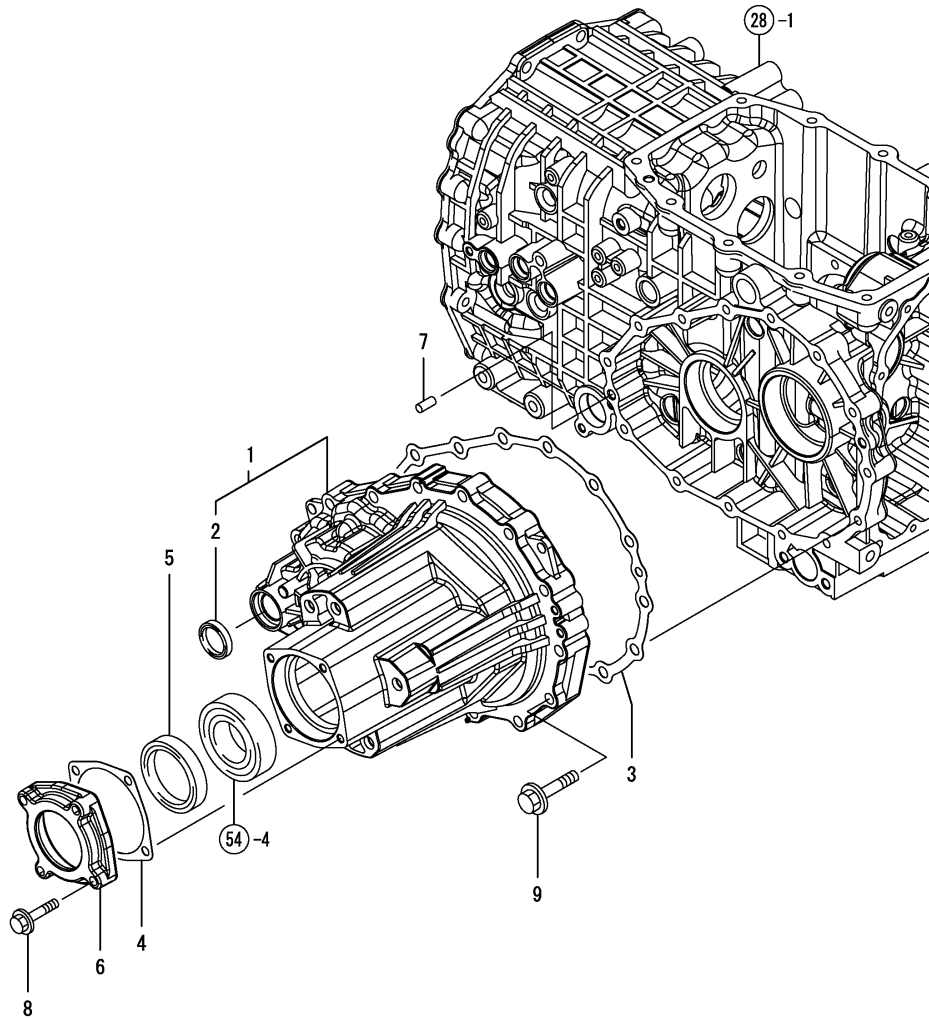
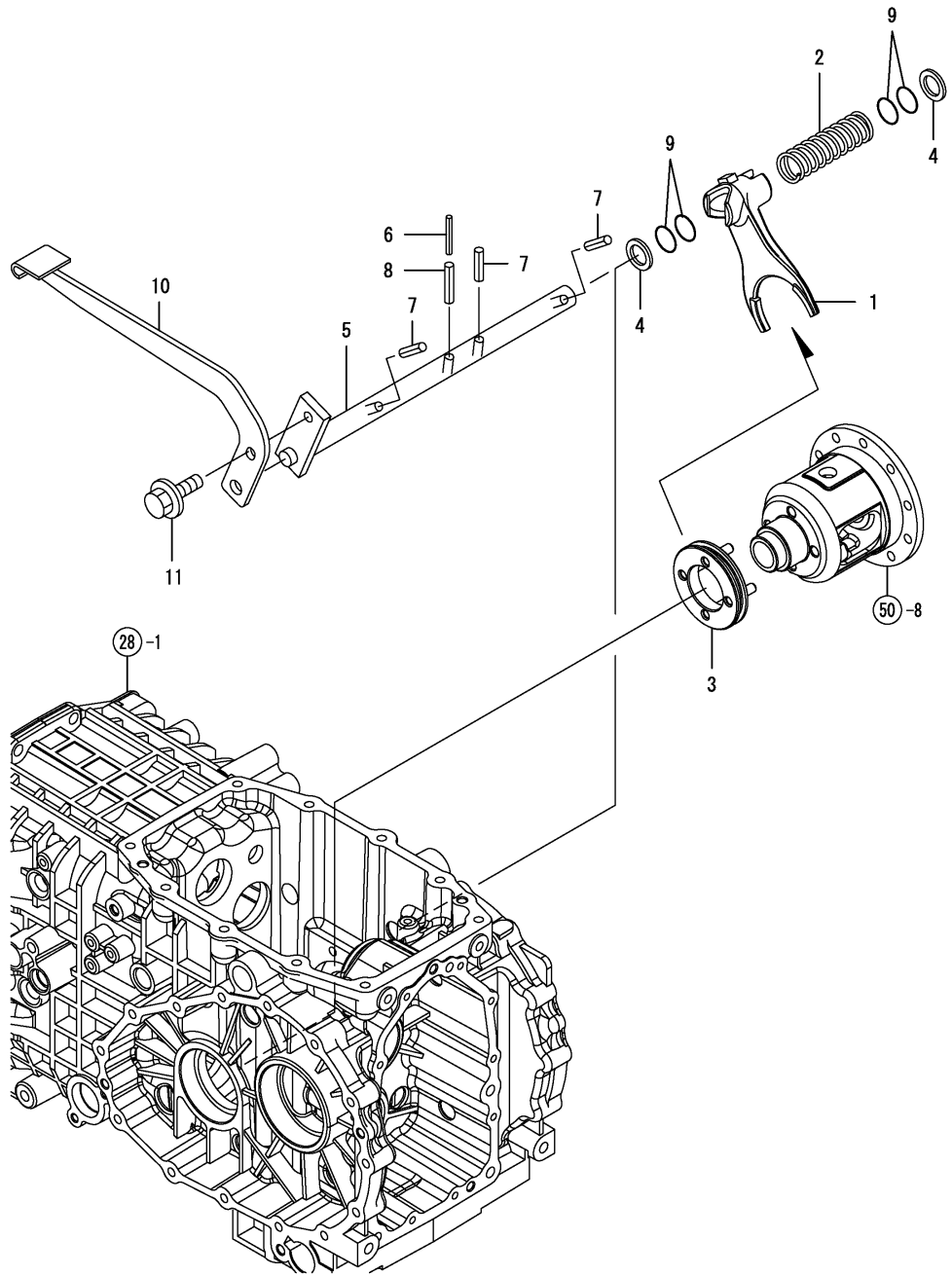


Fig.52. DIFFERENTIAL LOCK

(A)=EF227EH
(B)=EF230EH
(C)=EF233EH

(D)=EF235EH
(E)=
(F)=



REF.	LEV.	PARTS NO.	DESCRIPTION	QTY						I	R
				(A)	(B)	(C)	(D)	(E)	(F)		
1	1	198200-33111	FORK, DIFF. LOCK	1	1	1	1				
2	1	194420-33150	SPRING, RETURN	1	1	1	1				
3	1	198200-33150	SLIDER, DIFF. LOCK	1	1	1	1				
4	1	194300-33200	SPACER 20X32X3.2	2	2	2	2				
5	1	198280-33210	SHAFT ASSY, LOCK	1	1	1	1				
6	1	22351-050040	SPRING PIN 5X40	1	1	1	1				
7	1	22351-080032	SPRING PIN 8X32	3	3	3	3				
8	1	22351-080040	SPRING PIN 8X40	1	1	1	1				
9	1	24311-000200	O-RING 1A P-20.0	4	4	4	4				
10	1	198200-33250	PEDAL, DIFF. LOCK	1	1	1	1				
11	1	26106-100202	BOLT M10X 20 PLATED	1	1	1	1				

Fig.53. FINAL PINION & FINAL GEAR

0CNP4-G32200 53. FINAL PINION & FINAL GEAR

(A)=EF227EH
 (B)=EF230EH
 (C)=EF233EH

(D)=EF235EH
 (E)=
 (F)=

REF.	LEV.	PARTS NO.	DESCRIPTION	Q'TY						I	R
				(A)	(B)	(C)	(D)	(E)	(F)		
1	1	198200-33410	PINION, FINAL L.H.	1	1	1	1				
2	1	198200-33420	PINION, FINAL R.H.	1	1	1	1				
3	1	24101-063064	BALL BEARING	4	4	4	4				
4	1	198200-33510	GEAR, FINAL	2	2	2	2				

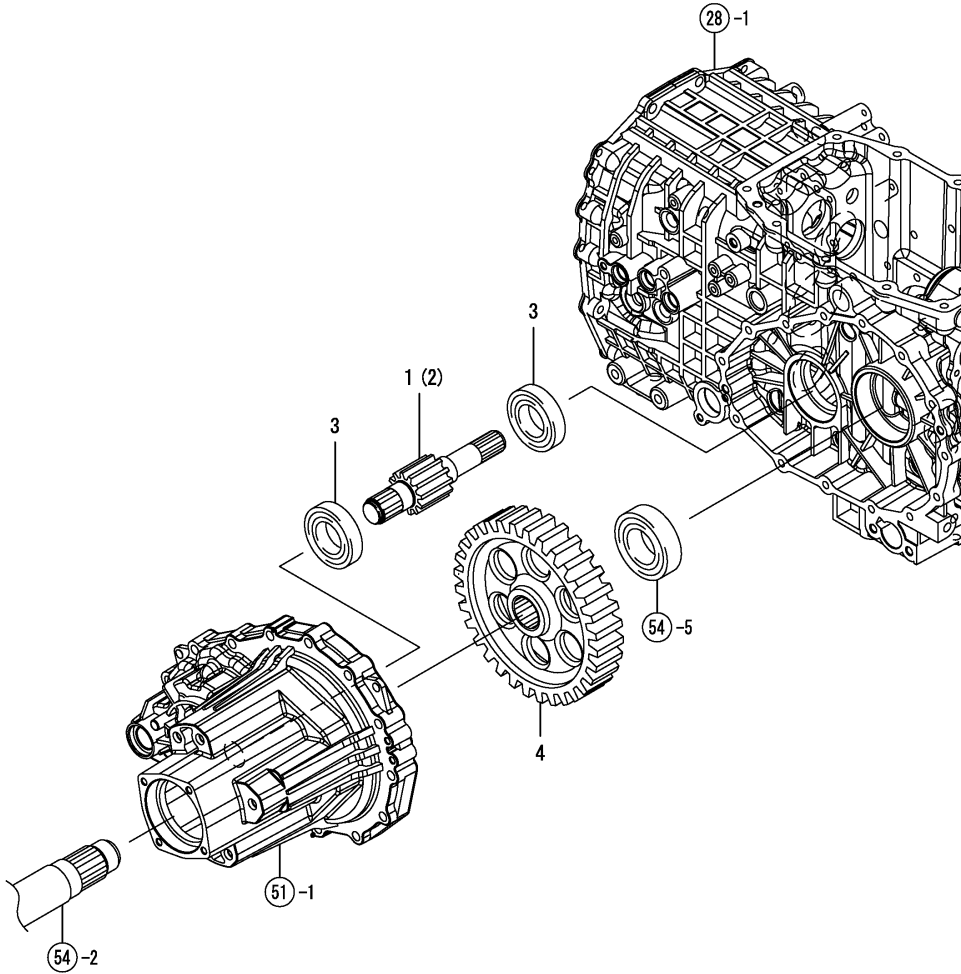
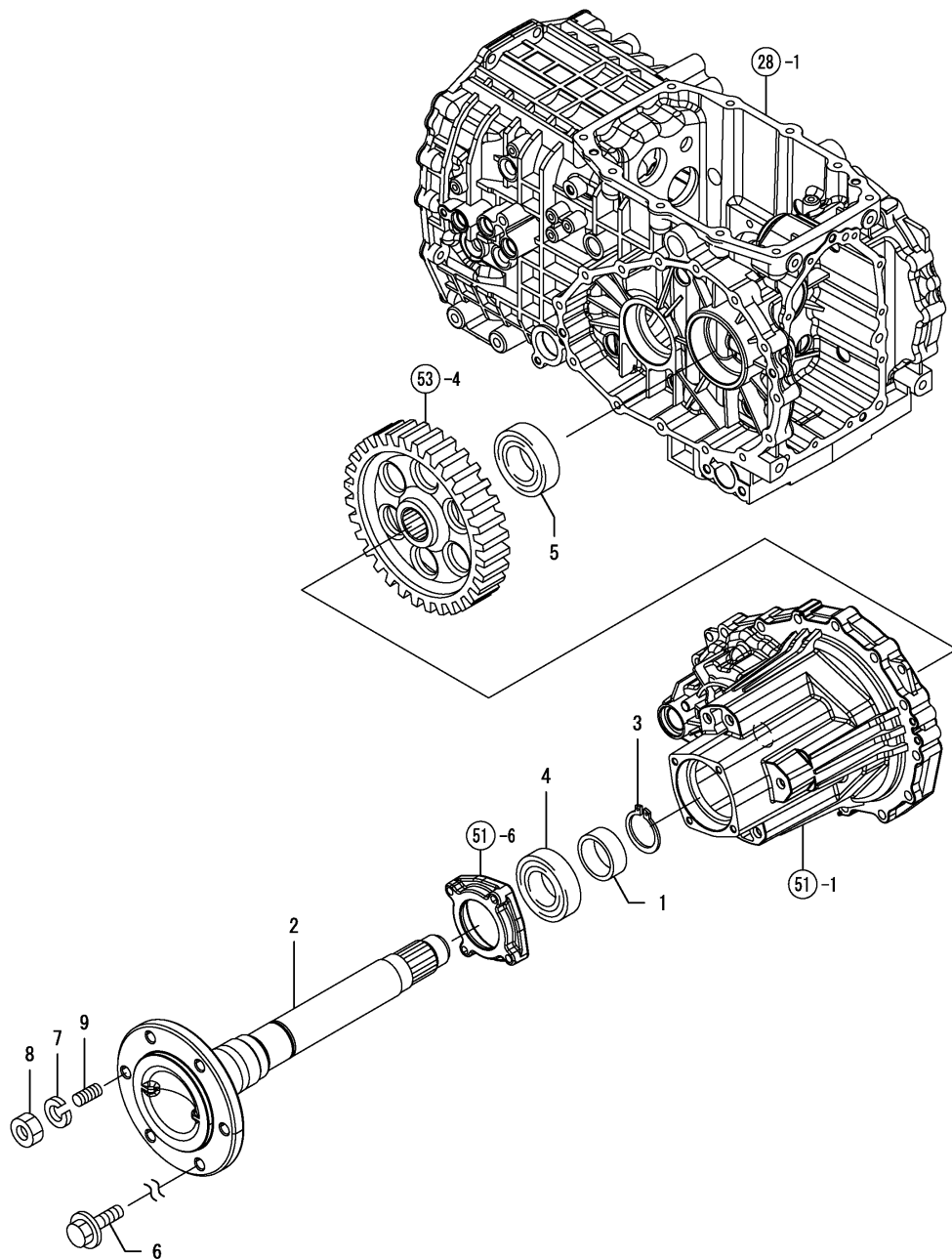


Fig.54. REAR AXLE SHAFT



OCNP4-G32200 54. REAR AXLE SHAFT

(A)=EF227EH
(B)=EF230EH
(C)=EF233EH

(D)=EF235EH
(E)=
(F)=

REF.	LEV.	PARTS NO.	DESCRIPTION	Q'TY						I	R
				(A)	(B)	(C)	(D)	(E)	(F)		
1	1	194440-32580	COLLAR 45X55X20	2	2	2	2				
2	1	198206-34111	SHAFT, REAR AXLE	2	2	2	2				
3	1	198196-34140	STOP RING	2	2	2	2				
4	1	24101-062094	BALL BEARING	2	2	2	2				
5	1	24101-063074	BEARING	2	2	2	2				
6	1	194881-12650	BOLT M14X 24	8	8	8	8				
7	1	194279-14220	WASHER 14	4	4	4	4				
8	1	194450-21980	NUT 14	4	4	4	4				
9	1	198200-34130	STUD BOLT, M14X28	4	4	4	4				

Fig.55. REAR WHEEL TIRE

0CNP4-G32200 55. REAR WHEEL TIRE

(A)=EF227EH
 (B)=EF230EH
 (C)=EF233EH

(D)=EF235EH
 (E)=
 (F)=

REF.	LEV.	PARTS NO.	DESCRIPTION	Q'TY						I	R
				(A)	(B)	(C)	(D)	(E)	(F)		
1	1	198280-34720	TIRE, W/WHEEL UNIT	2	2	2	2				
2	2	198200-34741	WHEEL 16X10LB	2	2	2	2				
3	2	198280-34760	TIRE ASSY, 315/80D16	2	2	2	2				
4	2	194136-12880	VALVE TR413	2	2	2	2				

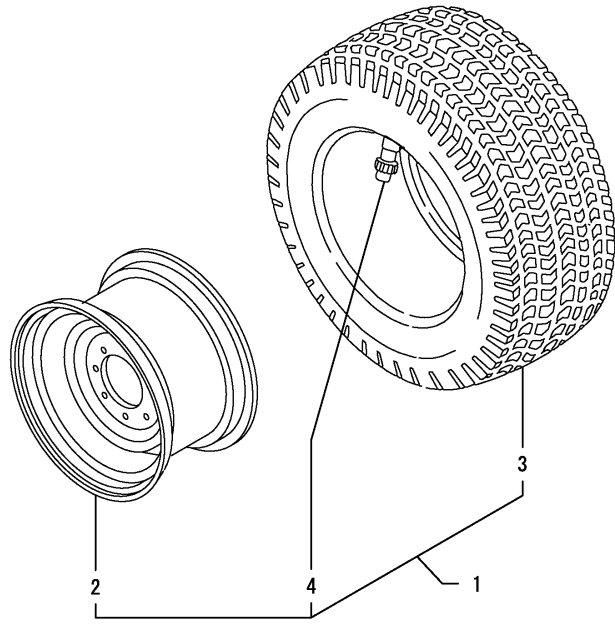
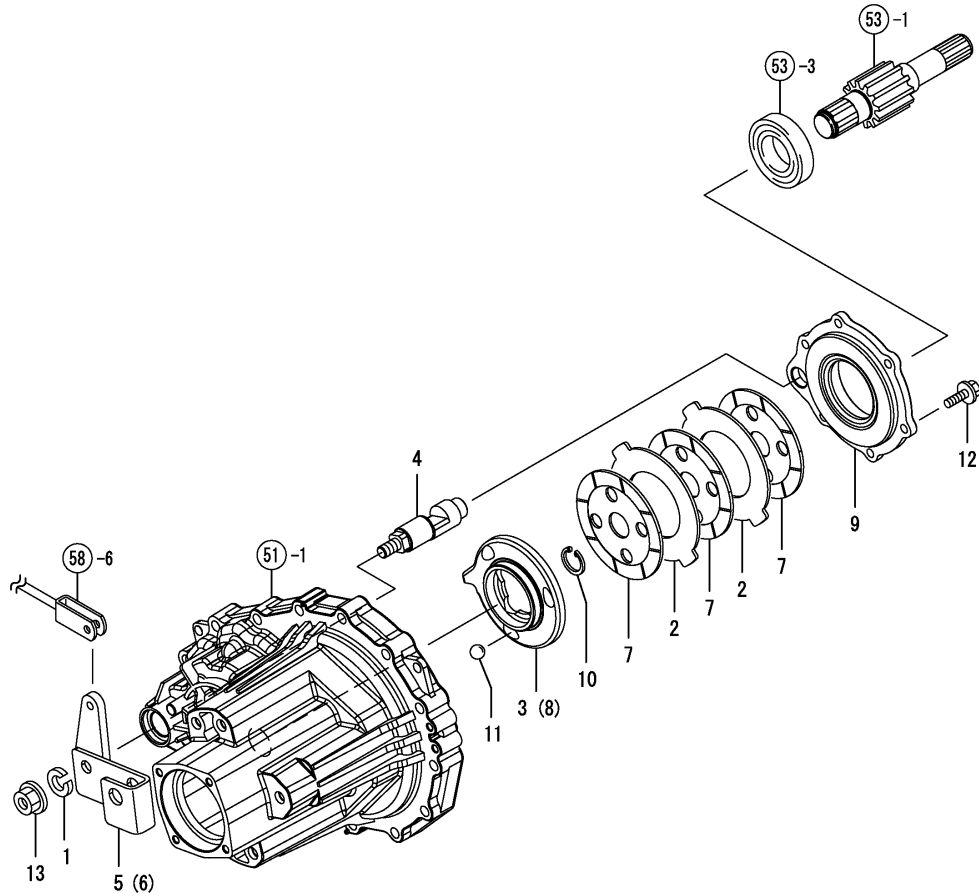


Fig.56. BRAKE

(A)=EF227EH
(B)=EF230EH
(C)=EF233EH

(D)=EF235EH
(E)=
(F)=

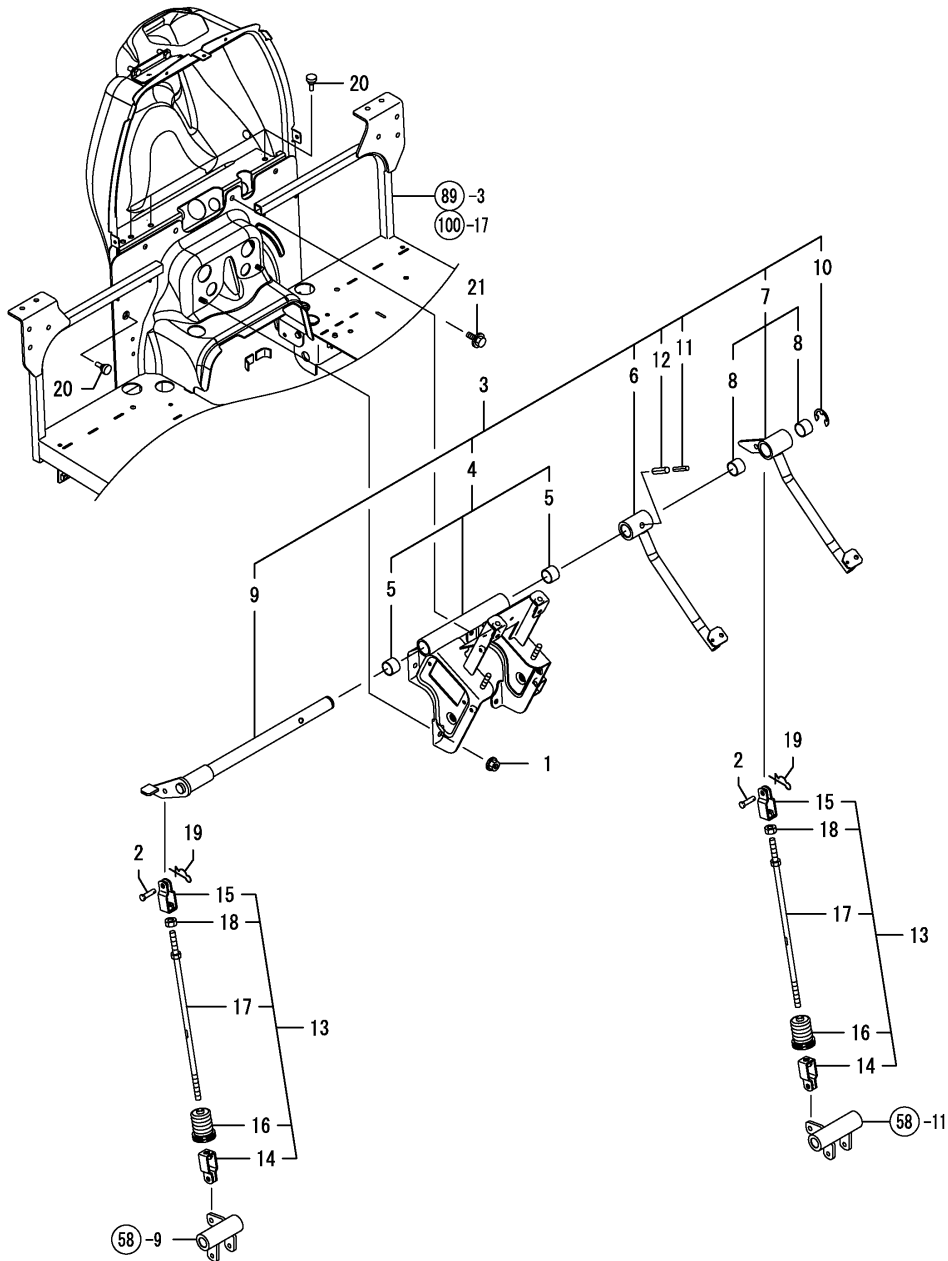


REF.	LEV.	PARTS NO.	DESCRIPTION	Q'TY						I	R
				(A)	(B)	(C)	(D)	(E)	(F)		
1	1	194274-13580	SPRING WASHER 12	2	2	2	2				
2	1	1C6560-15071	PLATE STEEL	4	4	4	4				
3	1	198200-36310	ACTUATOR, L.H.	1	1	1	1				
4	1	198200-36340	SHAFT, CAM	2	2	2	2				
5	1	198280-36350	ARM, BRAKE L	1	1	1	1				
6	1	198280-36360	ARM, BRAKE R	1	1	1	1				
7	1	198200-36380	PLATE, FRICTION	6	6	6	6				
8	1	198200-36410	ACTUATOR, R.H.	1	1	1	1				
9	1	198200-36421	HOLDER, BEARING	2	2	2	2				
10	1	22242-000260	CIRCLIP 26	2	2	2	2				
11	1	24190-170001	BALL 17/32	6	6	6	6				
12	1	26106-080252	BOLT M 8X 25 PLATED	12	12	12	12				
13	1	26376-120002	U-NUT M12	2	2	2	2				

Fig.57. PEDAL

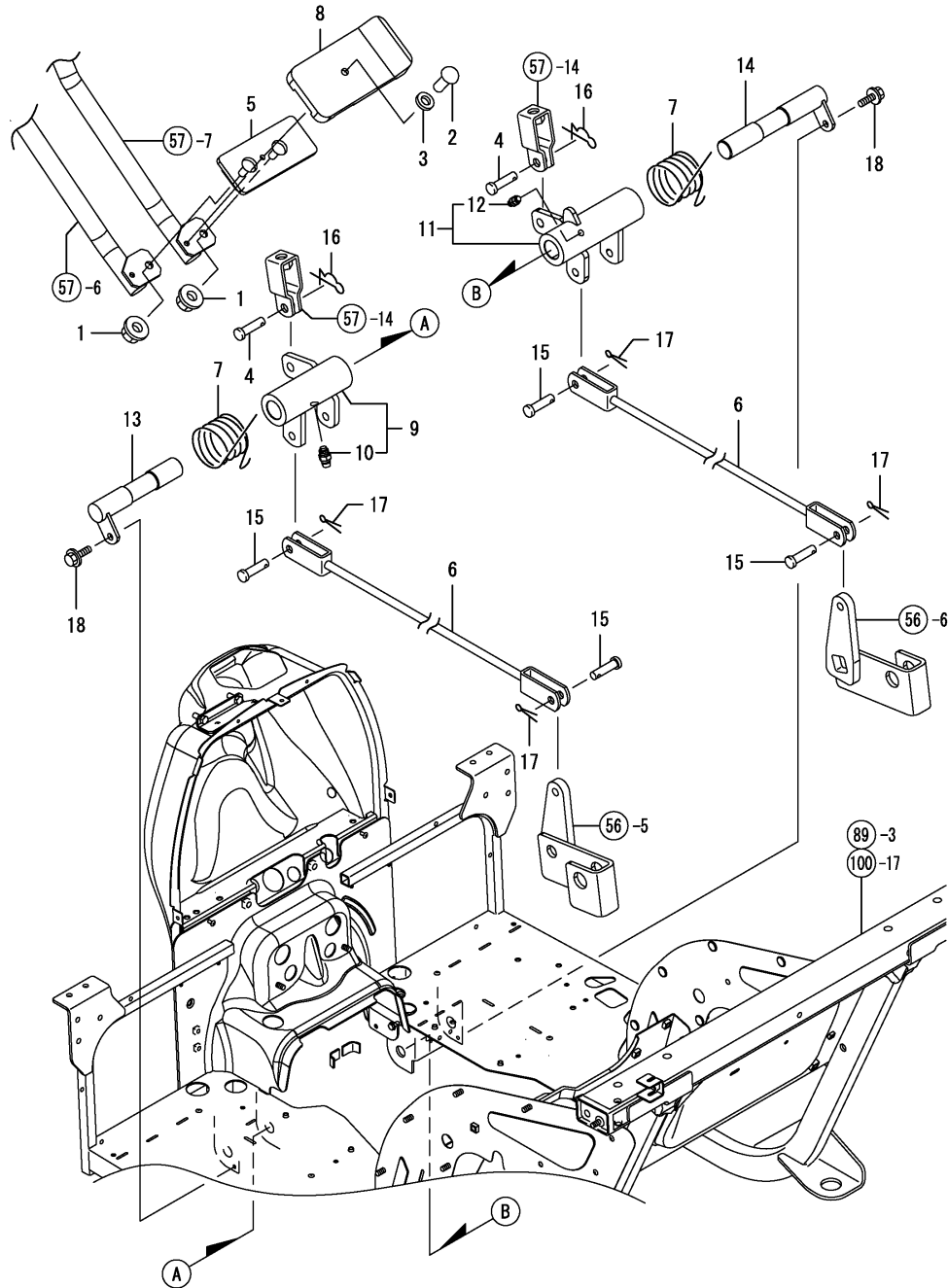
(A)=EF227EH
(B)=EF230EH
(C)=EF233EH

(D)=EF235EH
(E)=
(F)=



REF.	LEV.	PARTS NO.	DESCRIPTION	Q'TY						I	R
				(A)	(B)	(C)	(D)	(E)	(F)		
1	1	194990-22140	NUT W/WASHER 8	2	2	2	2				
2	1	194312-27780	PIN 8.9	2	2	2	2				
3	1	198280-37200	PEDAL UNIT,	1	1	1	1				
4	2	198200-37270	BRACKET UNIT, PEDAL	1	1	1	1				
5	3	198448-37360	BUSH 25X28X20	2	2	2	2				
6	2	198280-37300	PEDAL ASSY, BRAKE L	1	1	1	1				
7	2	198280-37400	PEDAL ASSY, BRAKE R	1	1	1	1				
8	3	198448-37360	BUSH 25X28X20	2	2	2	2				
9	2	198280-37550	SHAFT ASSY, BRAKE	1	1	1	1				
10	2	22272-000190	CIRCLIP E-19	1	1	1	1				
11	2	22351-050045	SPRING PIN 5X45	1	1	1	1				
12	2	22351-080045	SPRING PIN 8X45	1	1	1	1				
13	1	198200-37610	ROD ASSY, BRAKE F	2	2	2	2				
14	2	198310-27370	JOINT,L SCREW FORK	2	2	2	2				
15	2	194312-27770	JOINT	2	2	2	2				
16	2	198448-37450	BOOTS	2	2	2	2				
17	2	198200-37660	ROD ASSY, BREAK	2	2	2	2				
18	2	26716-100002	NUT 10	2	2	2	2				
19	1	1C6281-52320	PIN 8,COME-OFF SNAP	2	2	2	2				
20	1	194330-62530	STOPPER, PEDAL	4	4	4	4				
21	1	26106-080162	BOLT M 8X 16 PLATED	2	2	2	2				

Fig.58. BRAKE LINK

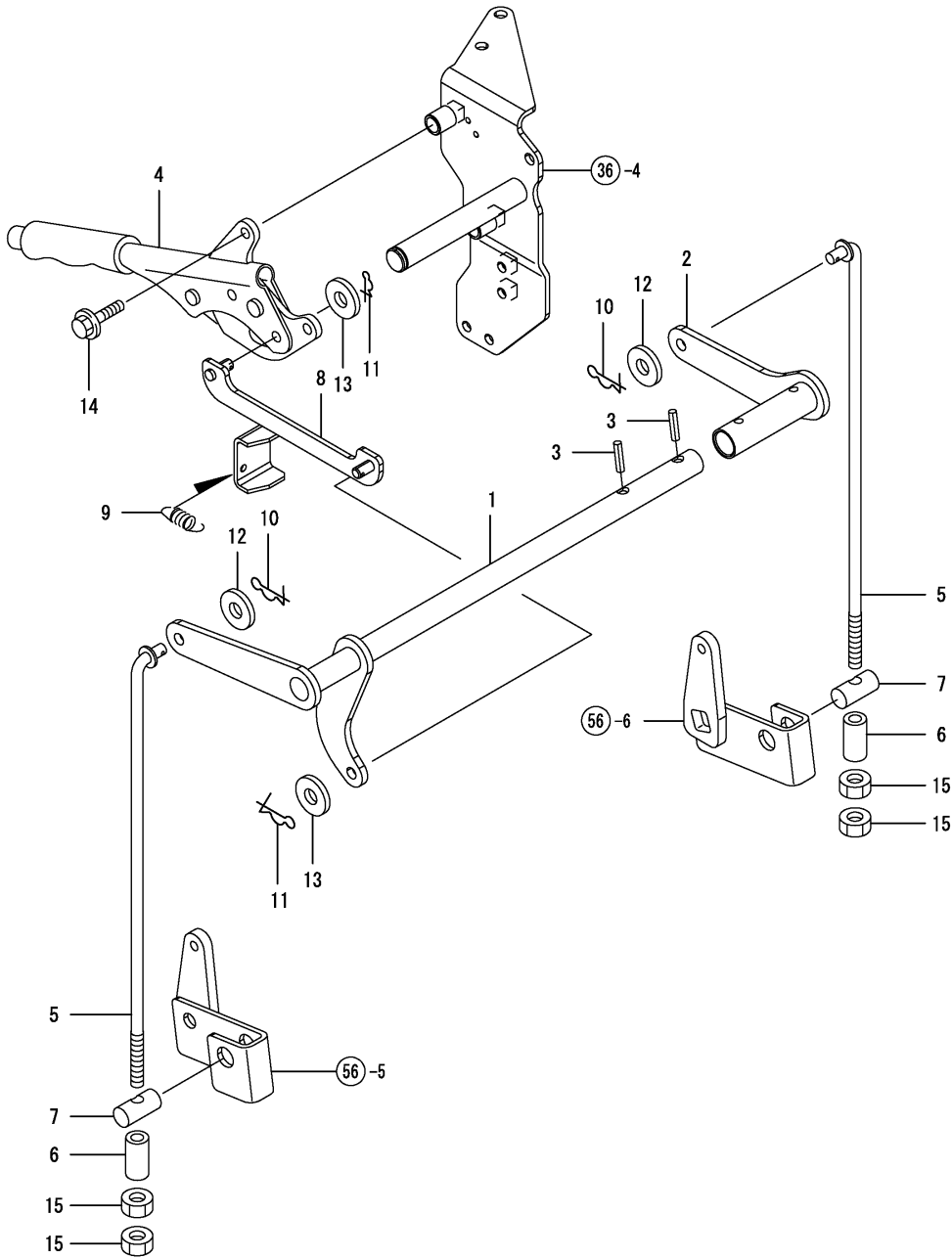


(A)=EF227EH
(B)=EF230EH
(C)=EF233EH

(D)=EF235EH
(E)=
(F)=

REF.	LEV.	PARTS NO.	DESCRIPTION	Q'TY						I	R
				(A)	(B)	(C)	(D)	(E)	(F)		
1	1	194990-22130	NUT W/WASHER 6	2	2	2	2				
2	1	198133-22510	RIVET,PEDAL HEAD	1	1	1	1				
3	1	198133-22530	WASHER,RIVET	1	1	1	1				
4	1	194312-27780	PIN 8.9	2	2	2	2				
5	1	198280-37220	HEAD ASSY, PEDAL	1	1	1	1				
6	1	198200-37370	ROD ASSY, BRAKE	2	2	2	2				
7	1	198200-37460	SPRING, BRAKE PEDAL	2	2	2	2				
8	1	198071-37510	COVER,PEDAL HEAD	1	1	1	1				
9	1	198200-37700	ARM ASSY, BRAKE L	1	1	1	1				
10	2	24761-010000	NIPPLE M6F, GREASE	1	1	1	1				
11	1	198280-37710	ARM ASSY, BRAKE R	1	1	1	1				
12	2	24761-010000	NIPPLE M6F, GREASE	1	1	1	1				
13	1	198200-37740	SHAFT ASSY, L	1	1	1	1				
14	1	198200-37840	SHAFT ASSY, R	1	1	1	1				
15	1	198220-37900	PIN 8X24	4	4	4	4				
16	1	1C6281-52320	PIN 8,COME-OFF SNAP	2	2	2	2				
17	1	22417-250300	COTTER PIN 2.5X30	4	4	4	4				
18	1	26106-060122	BOLT M 6X 12 PLATED	2	2	2	2				

Fig.59. PARKING BRAKE



OCNP4-G32200 59. PARKING BRAKE

(A)=EF227EH
(B)=EF230EH
(C)=EF233EH

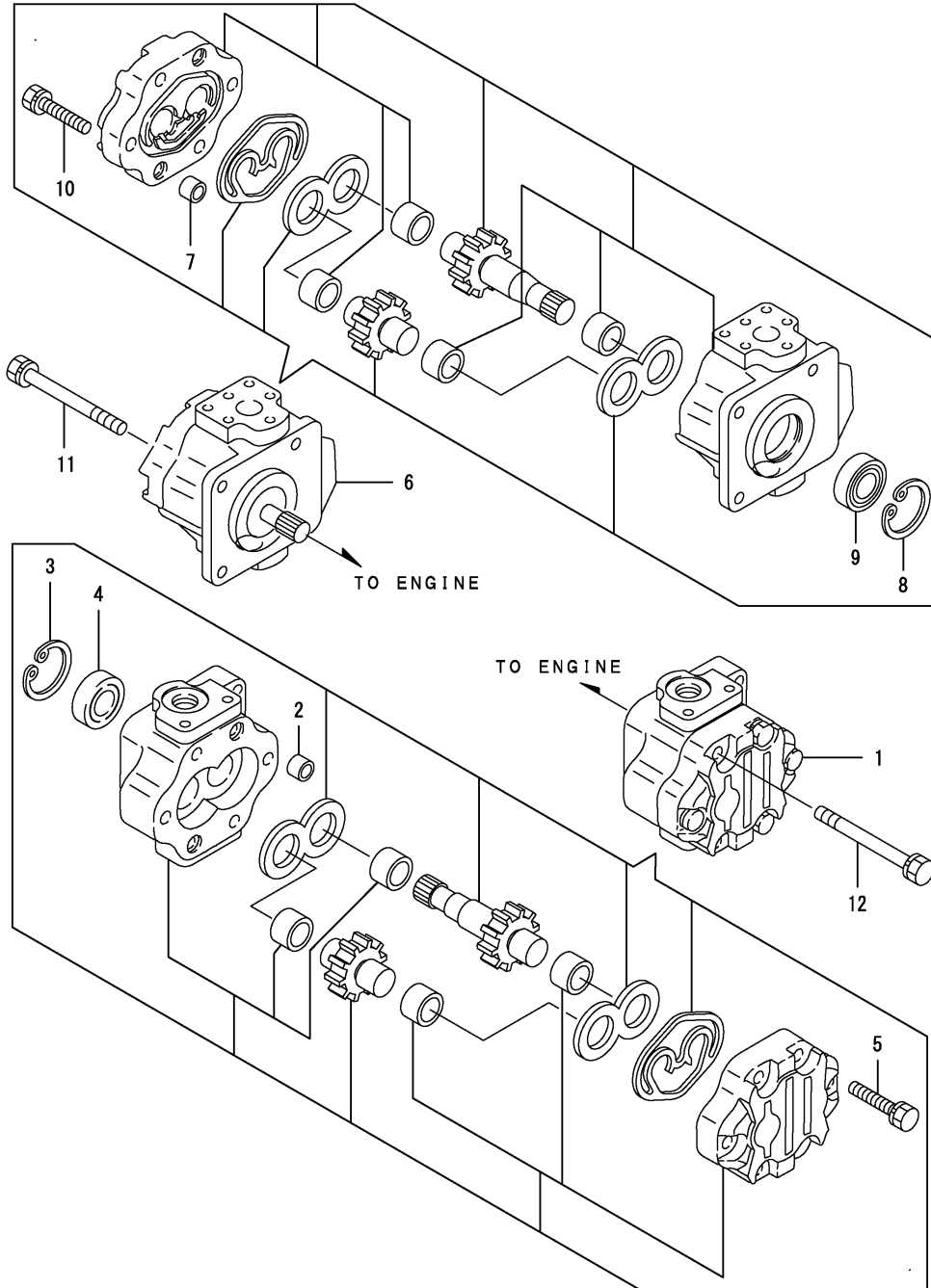
(D)=EF235EH
(E)=
(F)=

REF.	LEV.	PARTS NO.	DESCRIPTION	QTY						I	R
				(A)	(B)	(C)	(D)	(E)	(F)		
1	1	198280-38510	ARM, PARKING BRAKE	1	1	1	1				
2	1	198280-38710	ARM, PARKING BRAKE L	1	1	1	1				
3	1	22351-060032	SPRING PIN 6X32	2	2	2	2				
4	1	198448-38400	BRAKE, PARKING	1	1	1	1				
5	1	198280-38810	ROD, PARKING BRAKE A	2	2	2	2				
6	1	198280-38840	PIPE,10.9X17.3X35	2	2	2	2				
7	1	198280-38850	PIN, 17X36	2	2	2	2				
8	1	198280-38910	ROD, PARKING LEVER	1	1	1	1				
9	1	198280-38950	SPRING,BRAKE	1	1	1	1				
10	1	1C6360-65700	SNAP PIN 10	2	2	2	2				
11	1	1C6360-65700	SNAP PIN 10	2	2	2	2				
12	1	22137-100000	WASHER 10,POLISHED	2	2	2	2				
13	1	22137-100000	WASHER 10,POLISHED	2	2	2	2				
14	1	26106-080352	BOLT M 8X 35 PLATED	2	2	2	2				
15	1	26716-100002	NUT 10	4	4	4	4				

Fig.60. HYDRAULIC PUMP

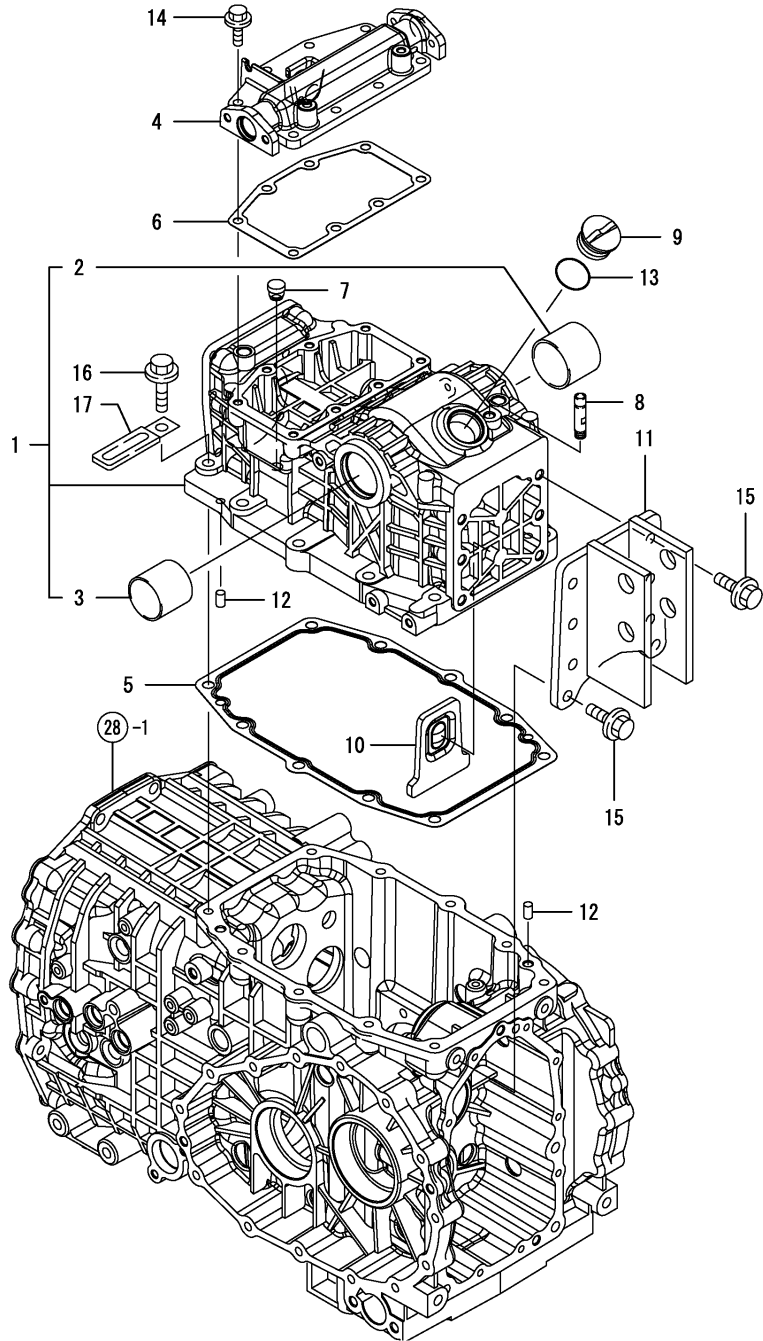
(A)=EF227EH
(B)=EF230EH
(C)=EF233EH

(D)=EF235EH
(E)=
(F)=



REF.	LEV.	PARTS NO.	DESCRIPTION	Q'TY						I	R
				(A)	(B)	(C)	(D)	(E)	(F)		
1	1	198172-41110	PUMP, HYDRAULIC	1	1	1	1				
2	2	194521-41570	PIN 11X7	2	2	2	2				
3	2	22252-000320	CIRCLIP 32	1	1	1	1				
4	2	24421-153207	SEAL TC15 32 07, OIL	1	1	1	1				
5	2	26016-080352	BOLT M 8X 35	4	4	4	4				
6	1	198280-41150	PUMP ASSY, HYD. OIL	1	1	1	1				
7	2	194521-41570	PIN 11X7	2	2	2	2				
8	2	22252-000320	CIRCLIP 32	1	1	1	1				
9	2	24421-153207	SEAL TC15 32 07, OIL	1	1	1	1				
10	2	26016-080352	BOLT M 8X 35	4	4	4	4				
11	1	26013-080802	BOLT M 8X 80	2	2	2	2				
12	1	26013-080802	BOLT M 8X 80	2	2	2	2				

Fig.61. HYDRAULIC CYLINDER CASE



OCNP4-G32200 61. HYDRAULIC CYLINDER CASE

(A)=EF227EH

(B)=EF230EH

(C)=EF233EH

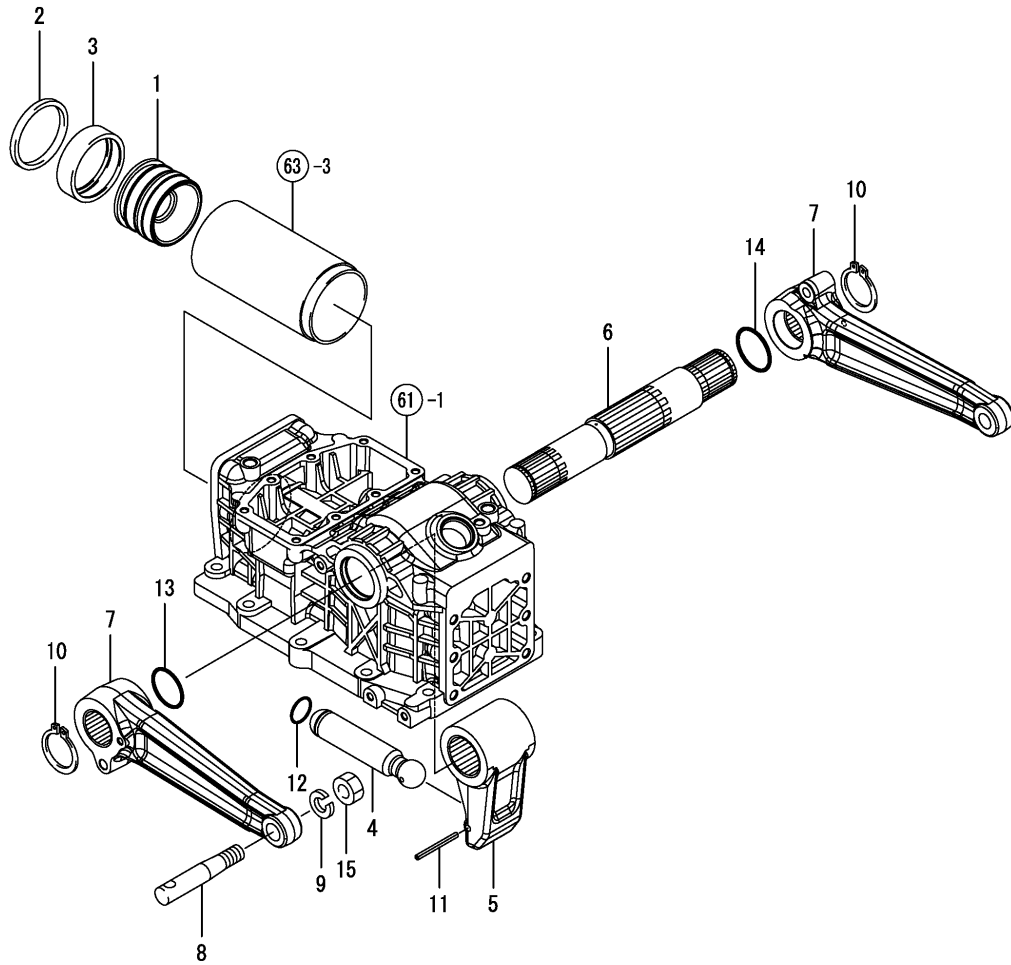
(D)=EF235EH

(E)=

(F)=

REF.	LEV.	PARTS NO.	DESCRIPTION	QTY						I	R
				(A)	(B)	(C)	(D)	(E)	(F)		
1	1	198200-42100	HOUSING ASSY,	1	1	1	1				
2	2	198200-42130	BUSH, 45X40	1	1	1	1				
3	2	198200-42140	BUSH, 40X40	1	1	1	1				
4	1	198200-42150	HOUSING, LINK	1	1	1	1				
5	1	198200-42180	GASKET, HOUSING	1	1	1	1				
6	1	198200-42190	GASKET, LINK HOUSING	1	1	1	1				
7	1	198280-42250	PLUG,CASE	1	1	1	1				
8	1	194555-42280	BREATHER, AIR	1	1	1	1				
9	1	194850-42500	CAP, OIL 33	1	1	1	1				
10	1	198200-42710	PLATE, STOPPER	1	1	1	1				
11	1	198280-42810	HINGE ASSY, TOP LINK	1	1	1	1				
12	1	22312-080140	PIN 8X14,STRAIGHT	2	2	2	2				
13	1	24351-020300	O-RING 1A 2030	1	1	1	1				
14	1	26106-080252	BOLT M 8X 25 PLATED	8	8	8	8				
15	1	26106-100252	BOLT M10X 25 PLATED	8	8	8	8				
16	1	26106-100402	BOLT M10X 40 PLATED	10	10	10	10				
17	1	194180-51640	CLAMP, WIRE HARNESS	1	1	1	1				W
				(A=FXXXXXX)	(B=FXXXXXX)	(C=FXXXXXX)	(D=FXXXXXX)				

Fig.62. PISTON & LIFT CRANK



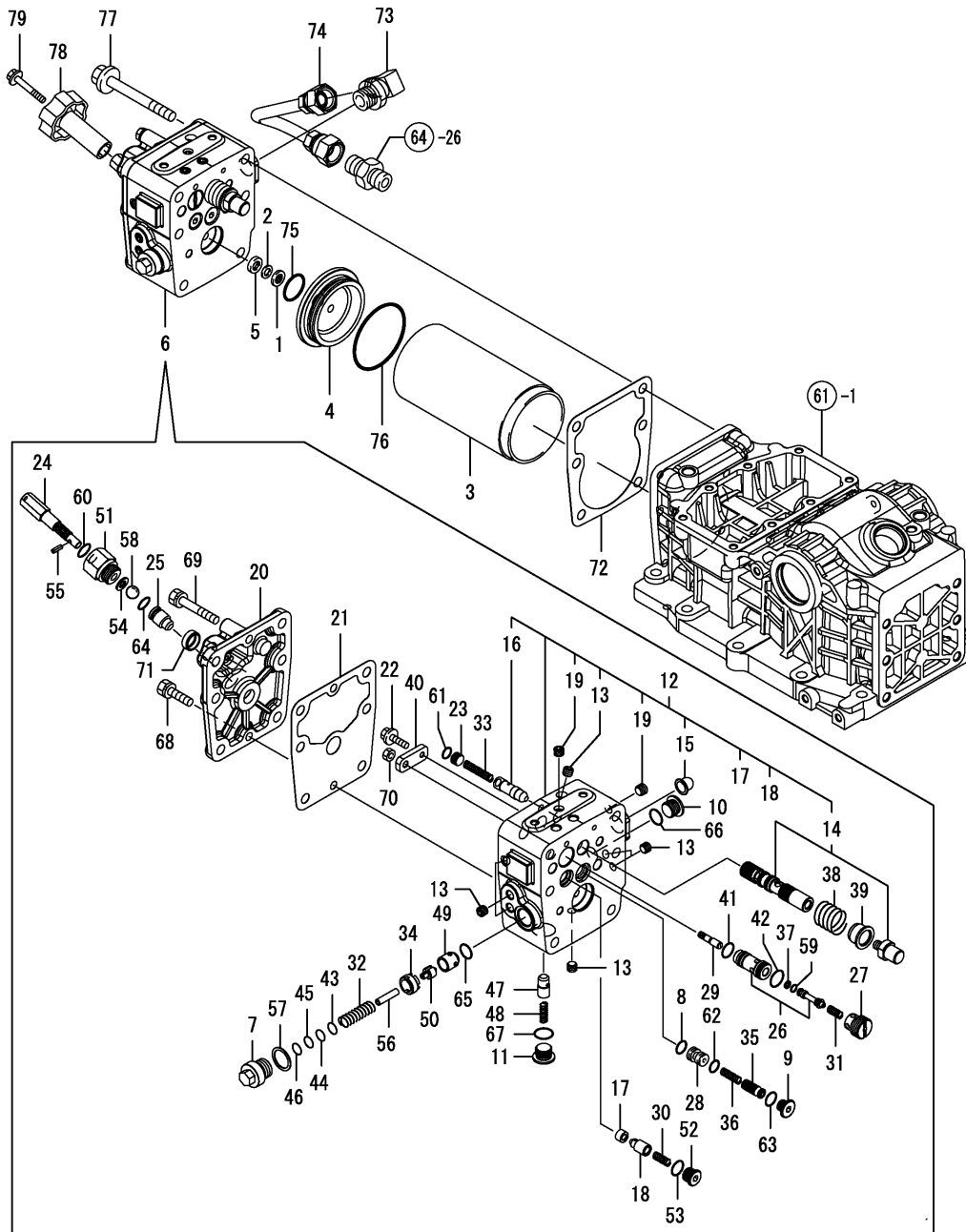
0CNP4-G32200 62. PISTON & LIFT CRANK

(A)=EF227EH
(B)=EF230EH
(C)=EF233EH

(D)=EF235EH
(E)=
(F)=

REF.	LEV.	PARTS NO.	DESCRIPTION	Q'TY						I	R
				(A)	(B)	(C)	(D)	(E)	(F)		
1	1	198200-43310	PISTON, 75	1	1	1	1				
2	1	198071-43320	U-PACKING 75	1	1	1	1				
3	1	198071-43330	RING, WEAR	1	1	1	1				
4	1	198200-43410	ROD, PISTON	1	1	1	1				
5	1	198200-44110	CRANK, LIFT	1	1	1	1				
6	1	198200-44210	SHAFT, LIFT	1	1	1	1				
7	1	198200-44420	ARM, LIFT	2	2	2	2				
8	1	194130-44480	PIN, LIFT ARM	2	2	2	2				
9	1	22217-160000	SPRING WASHER 16	2	2	2	2				
10	1	22242-000400	CIRCLIP 40	2	2	2	2				
11	1	22351-050056	SPRING PIN 5X56	1	1	1	1				
12	1	24311-000260	O-RING 1A P-26.0	1	1	1	1				
13	1	24311-000400	O-RING 1A P-40.0	1	1	1	1				
14	1	24311-000440	O-RING 1A P-44.0	1	1	1	1				
15	1	26736-160002	NUT M16	2	2	2	2				

Fig.63. CONTROL VALVE

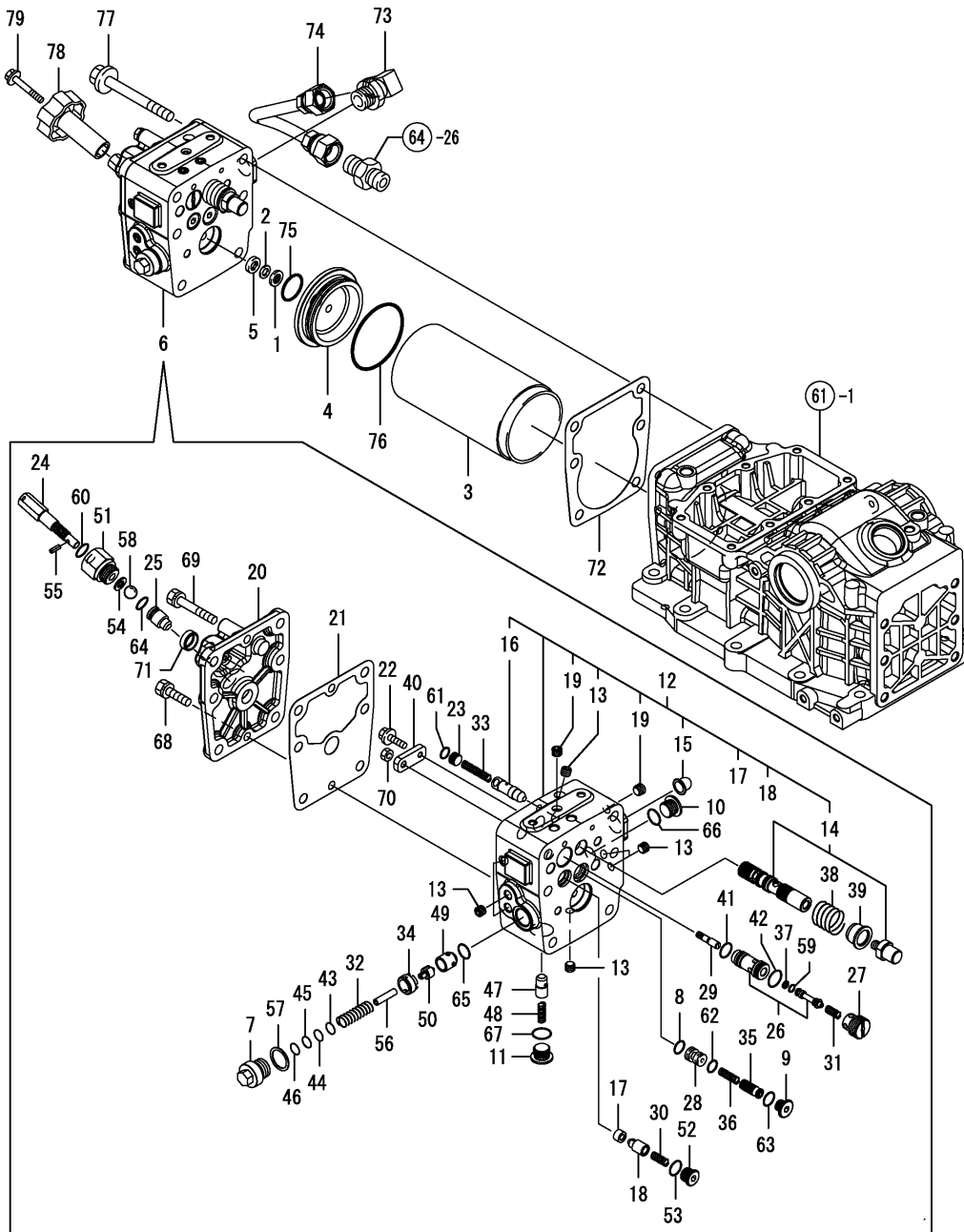


(A)=EF227EH
(B)=EF230EH
(C)=EF233EH

(D)=EF235EH
(E)=
(F)=

REF.	LEV.	PARTS NO.	DESCRIPTION	QTY						I	R
				(A)	(B)	(C)	(D)	(E)	(F)		
1	1	194850-42180	STRAINER	1	1	1	1				
2	1	194850-42190	SPACER	1	1	1	1				
3	1	198200-43110	LINER, CYLINDER	1	1	1	1				
4	1	198200-43210	HEAD, CYLINDER	1	1	1	1				
5	1	194630-43230	PACKING	1	1	1	1				
6	1	198200-45100	VALVE ASSY, LIFT	1	1	1	1				
7	2	178076-02230	PLUG, RELIEF VALVE	1	1	1	1				
8	2	178076-04610	PACKING, 1B	1	1	1	1				
9	2	178076-12400	PLUG, G1/4	1	1	1	1				
10	2	1A6750-29850	PLUG	1	1	1	1				
11	2	1A6750-29850	PLUG	1	1	1	1				
12	2	178076-40010	VALVEBODY CMP	1	1	1	1				
13	3	178073-01200	PLUG PT 1/8	7	7	7	7				
14	3	178076-40200	SPOOL ASSY, MAIN	1	1	1	1				
15	3	194556-42220	STRAINER A	1	1	1	1				
16	3	194170-45310	POPPET	1	1	1	1				
17	3	198435-45410	SEAT,L CHECK	1	1	1	1				
18	3	194170-45420	POPPET	1	1	1	1				
19	3	194555-77120	PLUG	2	2	2	2				
20	2	178076-40100	COVER,	1	1	1	1				
21	2	178076-40110	GASKET, COVER	1	1	1	1				
22	2	178076-40250	BOLT, 6 X 16	1	1	1	1				
23	2	178076-40300	PLUG, 12	1	1	1	1				
24	2	178076-40400	BOLT, STOP	1	1	1	1				
25	2	178076-40410	STOP VALVE	1	1	1	1				
26	2	178076-40500	VALVE ASSY, CHECK	1	1	1	1				
27	2	178076-40530	RETAINER, SEAT	1	1	1	1				
28	2	178076-40600	PLUG,	1	1	1	1				
29	2	194170-45220	BAR, PUSH	1	1	1	1				
30	2	194170-45230	SPRING	1	1	1	1				
31	2	194170-45230	SPRING	1	1	1	1				
32	2	194150-45320	SPRING, RELIEF VALVE	1	1	1	1				
33	2	194170-45321	SPRING	1	1	1	1				
34	2	194275-45340	SCREW, VALVE SEAT	1	1	1	1				
35	2	194170-45350	SPOOL	1	1	1	1				
36	2	194170-45360	SPRING	1	1	1	1				
37	2	194170-45430	RING, BACK UP	1	1	1	1				
38	2	194170-45520	SPRING, SPOOL	1	1	1	1				
39	2	194170-45530	STOPPER, SPOOL	1	1	1	1				
40	2	194170-45550	BAR, SPOOL	1	1	1	1				
41	2	194327-45640	O-RING 1BS14	1	1	1	1				
42	2	194327-45650	O-RING 1BS16	1	1	1	1				
43	2	194170-45710	SHIM (T=0.2)	1	1	1	1				
44	2	194170-45720	SHIM (T=0.3)	1	1	1	1				
45	2	194170-45730	SHIM (T=0.5)	1	1	1	1				
46	2	194170-45740	SHIM (T=1.0)	1	1	1	1				
47	2	194310-46350	POPPET, CHECK	1	1	1	1				
48	2	194310-46380	SPRING	1	1	1	1				
49	2	194640-46410	SEAT, SAFETY VALVE	1	1	1	1				
50	2	194640-46420	POPPET, SAFETY VALVE	1	1	1	1				
51	2	194312-46630	HOLDER, VALVE (43)	1	1	1	1				

Fig.63. CONTROL VALVE

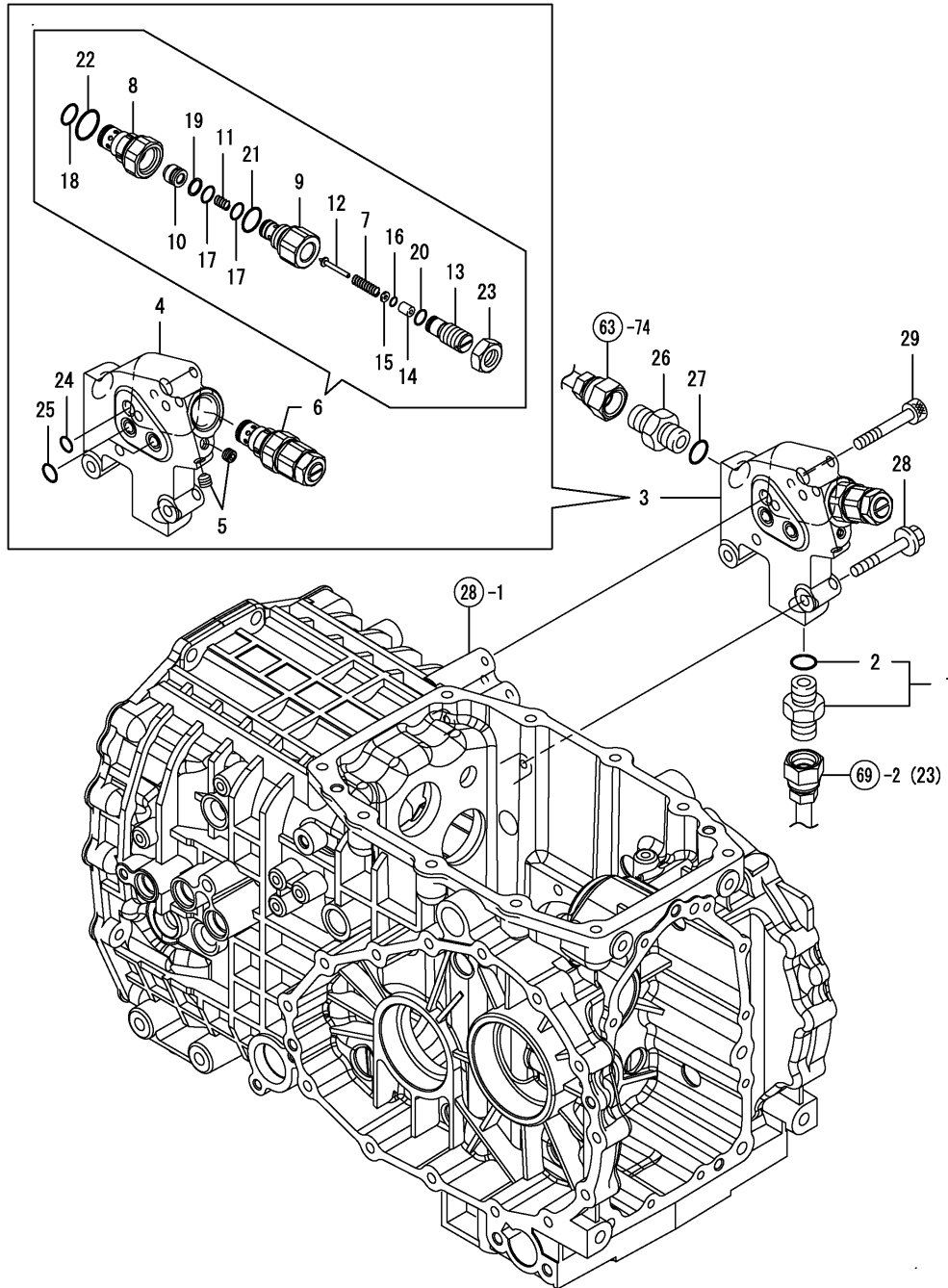


(A)=EF227EH
(B)=EF230EH
(C)=EF233EH

(D)=EF235EH
(E)=
(F)=

REF.	LEV.	PARTS NO.	DESCRIPTION	Q'TY						I	R
				(A)	(B)	(C)	(D)	(E)	(F)		
52	2	198165-48560	PLUG, 9/16	1	1	1	1				
53	2	194850-49290	PACKING 6-1	1	1	1	1				
54	2	22117-080000	WASHER 8	1	1	1	1				
55	2	22351-040012	SPRING PIN 4X12	1	1	1	1				
56	2	22351-060028	SPRING PIN 6X28	1	1	1	1				
57	2	23414-200026	GASKET 20	1	1	1	1				
58	2	24190-160001	BALL 1/2	1	1	1	1				
59	2	24311-000050	O-RING 1A P-5.0	1	1	1	1				
I 60	2	24311-000120	O-RING 1A P 12.0	1	1	1	1				
61	2	24315-000090	O-RING 1B P- 9.0	1	1	1	1				
62	2	24315-000090	O-RING 1B P- 9.0	1	1	1	1				
63	2	24315-000110	O-RING 1B P-11.0	1	1	1	1				
64	2	24315-000110	O-RING 1B P-11.0	1	1	1	1				
I 65	2	24315-000120	O-RING 1B P-12.0	1	1	1	1				
66	2	24315-000140	O-RING 1B P-14.0	1	1	1	1				
67	2	24315-000140	O-RING 1B P-14.0	1	1	1	1				
68	2	26016-080252	BOLT M 8X 25	1	1	1	1				
69	2	26016-080502	BOLT M 8X 50	1	1	1	1				
70	2	26756-060002	LOCK NUT 6	1	1	1	1				
71	2	27260-200000	PLUG 20,BORE	1	1	1	1				
72	1	198200-45150	GASKET, LIFT VALVE	1	1	1	1				
73	1	194765-46980	ELBOW,PF1/2,WSHR,BS	1	1	1	1				
74	1	198200-48140	LINE ASSY,PRESSURE	1	1	1	1				
75	1	24321-000250	O-RING 1A G-25.0	1	1	1	1				
76	1	24321-000700	O-RING 1A G70.0,NBR	1	1	1	1				
77	1	26106-100902	BOLT M10X 90 PLATED	6	6	6	6				
78	1	1A7260-46640	KNOB, STOP VALVE	1	1	1	1				
79	1	1A7260-46650	BOLT, 6 X 40	1	1	1	1				

Fig.64. RELIEF VALVE



OCNP4-G32200 64. RELIEF VALVE

(A)=EF227EH
(B)=EF230EH
(C)=EF233EH

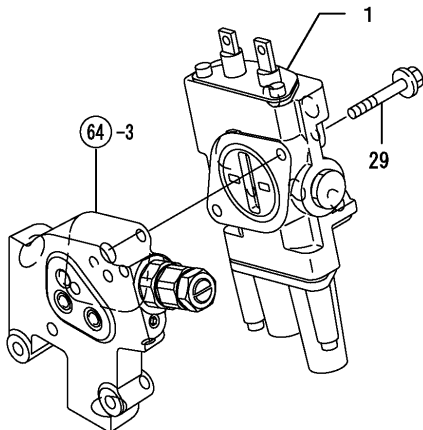
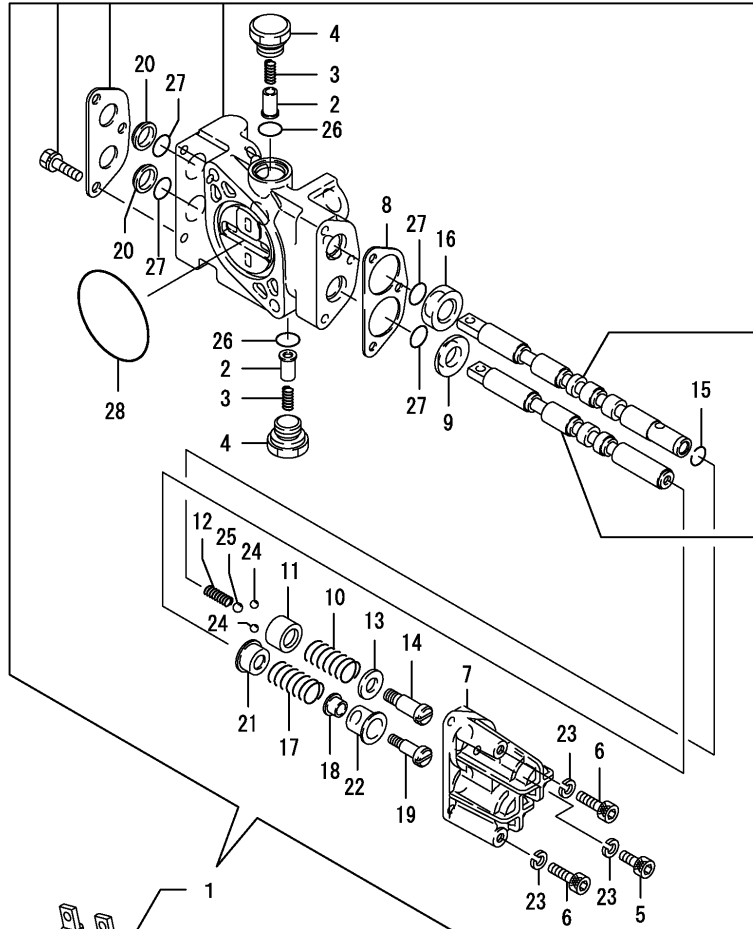
(D)=EF235EH
(E)=
(F)=

REF.	LEV.	PARTS NO.	DESCRIPTION	Q'TY						I	R
				(A)	(B)	(C)	(D)	(E)	(F)		
1	1	198265-48200	ADAPTER ASSY	1	1	1	1				
2	2	24311-000180	O-RING 1A P-18.0	1	1	1	1				
3	1	198280-48500	HOUSING ASSY, VALVE	1	1	1	1				
4	2	1682B4-01020	CASE(RELIEFVALVE	1	1	1	1				
5	2	178073-01200	PLUG PT 1/8	2	2	2	2				
6	2	198200-45510	VALVE ASSY, RELIEF	1	1	1	1				
7	3	178073-04310	SPRING, PILOT	1	1	1	1				
8	3	178076-26100	HOLDER, RELIEF	1	1	1	1				
9	3	178076-26110	HOLDER, RELIEF PILOT	1	1	1	1				
10	3	178076-26120	VALVE, RELIEF	1	1	1	1				
11	3	178076-26130	SPRING	1	1	1	1				
12	3	178076-26140	VALVE, PILOT	1	1	1	1				
13	3	178076-26160	SCREW, ADJUSTMENT	1	1	1	1				
14	3	178076-26170	GUIDE, RELIEF VALVE	1	1	1	1				
15	3	178076-26180	SPACER,	1	1	1	1				
16	3	178076-26190	PACKING, P 3	1	1	1	1				
17	3	194327-45630	O-RING 1BS12	2	2	2	2				
18	3	194327-45650	O-RING 1BS16	1	1	1	1				
19	3	172510-74530	RING,BACKUP	1	1	1	1				
20	3	24315-000100	O-RING 1B P-10.0	1	1	1	1				
21	3	24315-000180	O-RING 1B P-18.0	1	1	1	1				
22	3	24315-000220	O-RING 1B P-22.0	1	1	1	1				
23	3	26776-160002	LOCK NUT M16 PLATED	1	1	1	1				
24	2	24311-000110	O-RING 1A P-11.0	1	1	1	1				
25	2	24311-000140	O-RING 1A P-14.0	2	2	2	2				
26	1	172112-77360	CONNECTOR PF1/2PF1/2	1	1	1	1				
27	1	24311-000180	O-RING 1A P-18.0	1	1	1	1				
28	1	26106-080452	BOLT M 8X 45 PLATED	2	2	2	2				
29	1	26450-080402	BOLT 8X40	1	1	1	1				

Fig.65. SUB VALVE

(A)=EF227EH
(B)=EF230EH
(C)=EF233EH

(D)=EF235EH
(E)=
(F)=

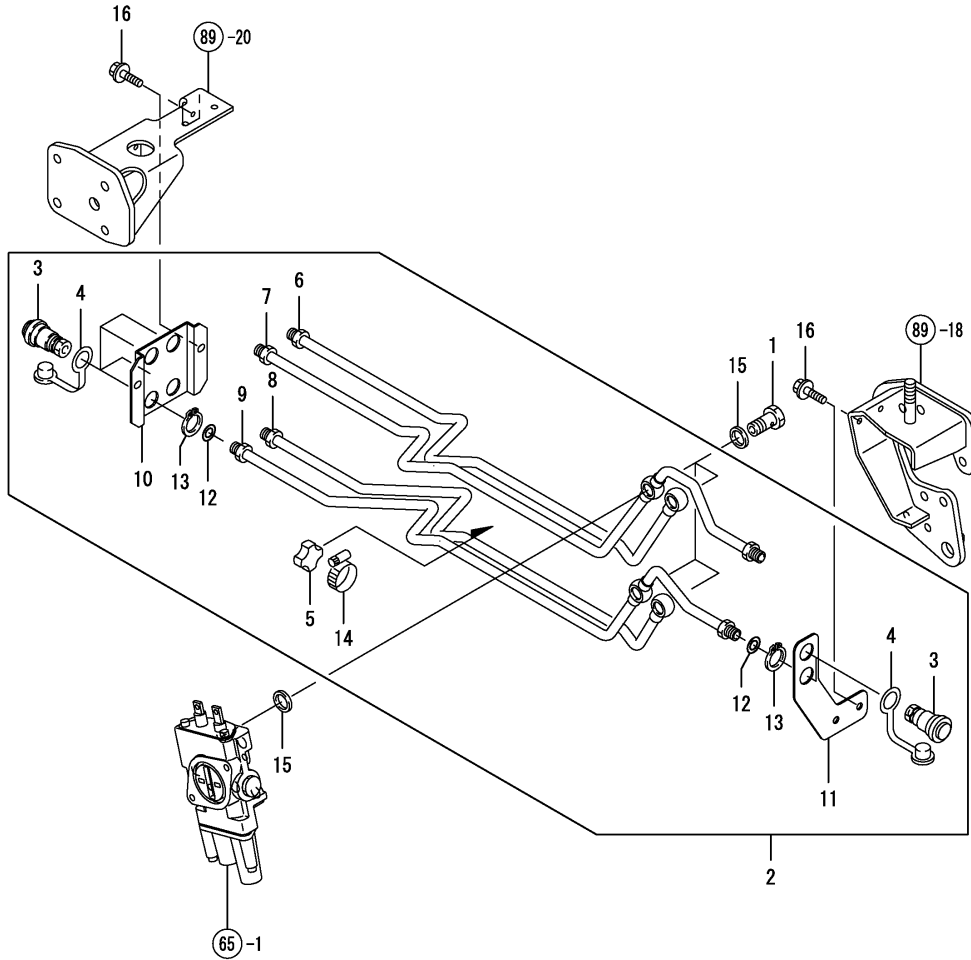


REF.	LEV.	PARTS NO.	DESCRIPTION	Q'TY						I	R
				(A)	(B)	(C)	(D)	(E)	(F)		
1	1	198280-46110	SCV ASSY	1	1	1	1				
2	2	198165-46130	VALVE	2	2	2	2				
3	2	198165-46140	SPRING	2	2	2	2				
4	2	198165-46150	PLUG	2	2	2	2				
5	2	1A6780-46160	BOLT M 6X 25	1	1	1	1				
6	2	1A6780-46170	BOLT M 6X 55	2	2	2	2				
7	2	198165-46200	COVER	1	1	1	1				
8	2	198165-46210	GASKET	1	1	1	1				
9	2	198165-46220	JOINT	1	1	1	1				
10	2	198165-46310	SPRING	1	1	1	1				
11	2	198165-46320	HOLDER	1	1	1	1				
12	2	198165-46330	SPRING	1	1	1	1				
13	2	198165-46340	HOLDER	1	1	1	1				
14	2	198165-46350	BOLT	1	1	1	1				
15	2	198165-46360	RINK	1	1	1	1				
16	2	198165-46370	DETENT	1	1	1	1				
17	2	198165-46410	SPRING	1	1	1	1				
18	2	198165-46420	STOP	1	1	1	1				
19	2	198165-46450	BOLT	1	1	1	1				
20	2	172510-74410	SEAL, DUST	2	2	2	2				
21	2	172510-74440	RETAINER(A),SPRING	1	1	1	1				
22	2	172510-74450	RETAINER (B)	1	1	1	1				
23	2	22287-060000	WASHER 6	3	3	3	3				
24	2	24190-070001	BALL 7/32	2	2	2	2				
25	2	24190-080001	BALL 1/4, STEEL	1	1	1	1				
26	2	24311-000140	O-RING 1A P-14.0	2	2	2	2				
27	2	24311-000140	O-RING 1A P-14.0	4	4	4	4				
28	2	24321-000500	O-RING 1A G-50.0	1	1	1	1				
29	1	26106-080402	BOLT M 8X 40 PLATED	2	2	2	2				

Fig.66. S.C.V. PIPING

(A)=EF227EH
(B)=EF230EH
(C)=EF233EH

(D)=EF235EH
(E)=
(F)=

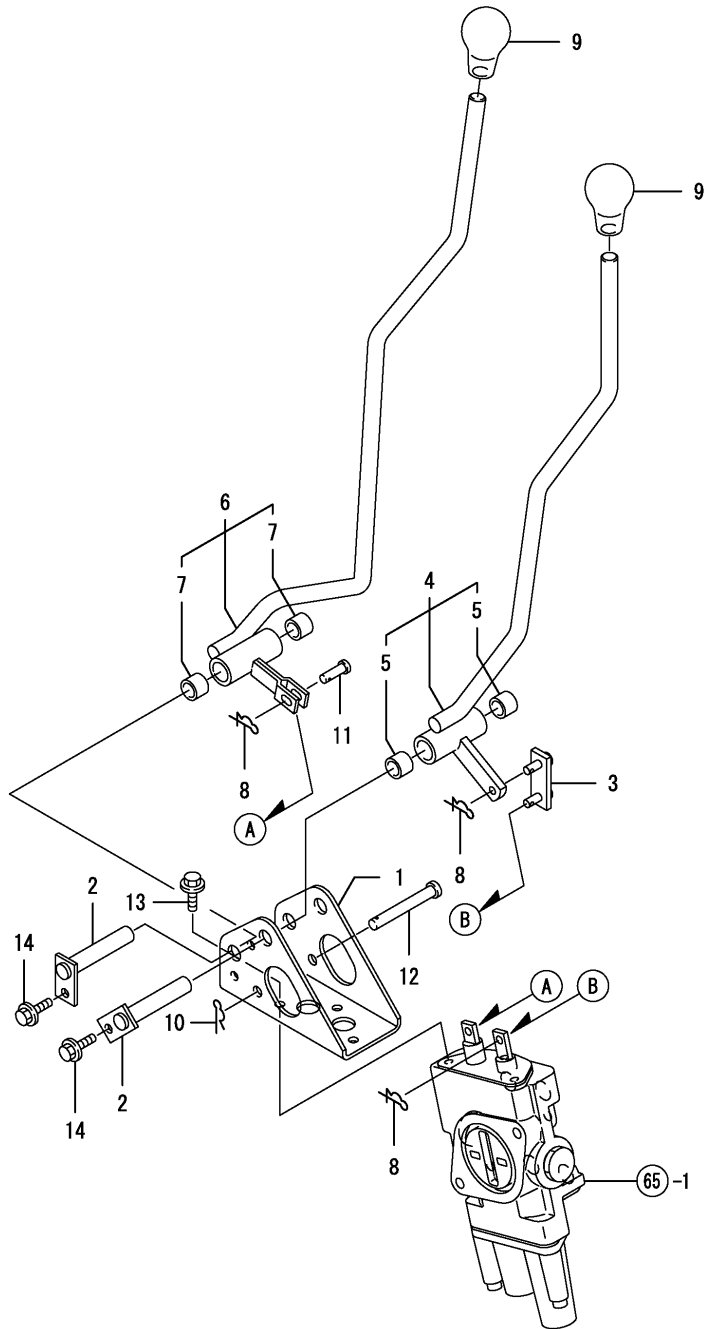


REF.	LEV.	PARTS NO.	DESCRIPTION	Q'TY						I	R
				(A)	(B)	(C)	(D)	(E)	(F)		
1	1	194321-17870	BOLT 10, PIPE JOINT	4	4	4	4				
2	1	198280-46500	PIPE UNIT,SCV	1	1	1	1				
2-1	1	198280-46501	PIPE UNIT,SCV	1	1	1	1				N
2-2	1	198280-46502	PIPE UNIT,SCV	1	1	1	1				N
		(A=*2009.03.) (B=*2009.03.) (C=*2009.03.) (D=*2009.03.)									
		(A=*2010.05.) (B=*2010.05.) (C=*2010.05.) (D=*2010.05.)									
3	2	198223-46250	HYD.QUICK COUPLER	6	6	6	6				
4	2	198223-46280	DUST PLUG	6	6	6	6				
4-1	2	1A7336-47590	PLUG, DUST BLACK	6	6	6	6				N
		(A=*2010.05.) (B=*2010.05.) (C=*2010.05.) (D=*2010.05.)									
5	2	198220-46500	CLAMP	1	1	1	1				
6	2	198280-46510	LINE ASSY,SCV-A1	1	1	1	1				
7	2	198280-46560	LINE ASSY,SCV-A2	1	1	1	1				
8	2	198280-46610	LINE ASSY,SCV-B1	1	1	1	1				
8-1	2	198280-46611	LINE ASSY,SCV-B1	1	1	1	1				N
		(A=*2009.03.) (B=*2009.03.) (C=*2009.03.) (D=*2009.03.)									
9	2	198280-46660	LINE ASSY,SCV-B2	1	1	1	1				
10	2	198280-46710	STAY	1	1	1	1				
11	2	198280-46750	STAY	1	1	1	1				
12	2	194850-49290	PACKING 6-1	6	6	6	6				
13	2	22242-000220	CIRCLIP 22	6	6	6	6				
14	2	23000-035000	CLAMP 35	1	1	1	1				
15	1	23414-160021	GASKET 16	8	8	8	8				
16	1	26106-080122	BOLT M 8X 12 PLATED	4	4	4	4				

Fig.67. S.C.V. CONTROL

(A)=EF227EH
(B)=EF230EH
(C)=EF233EH

(D)=EF235EH
(E)=
(F)=

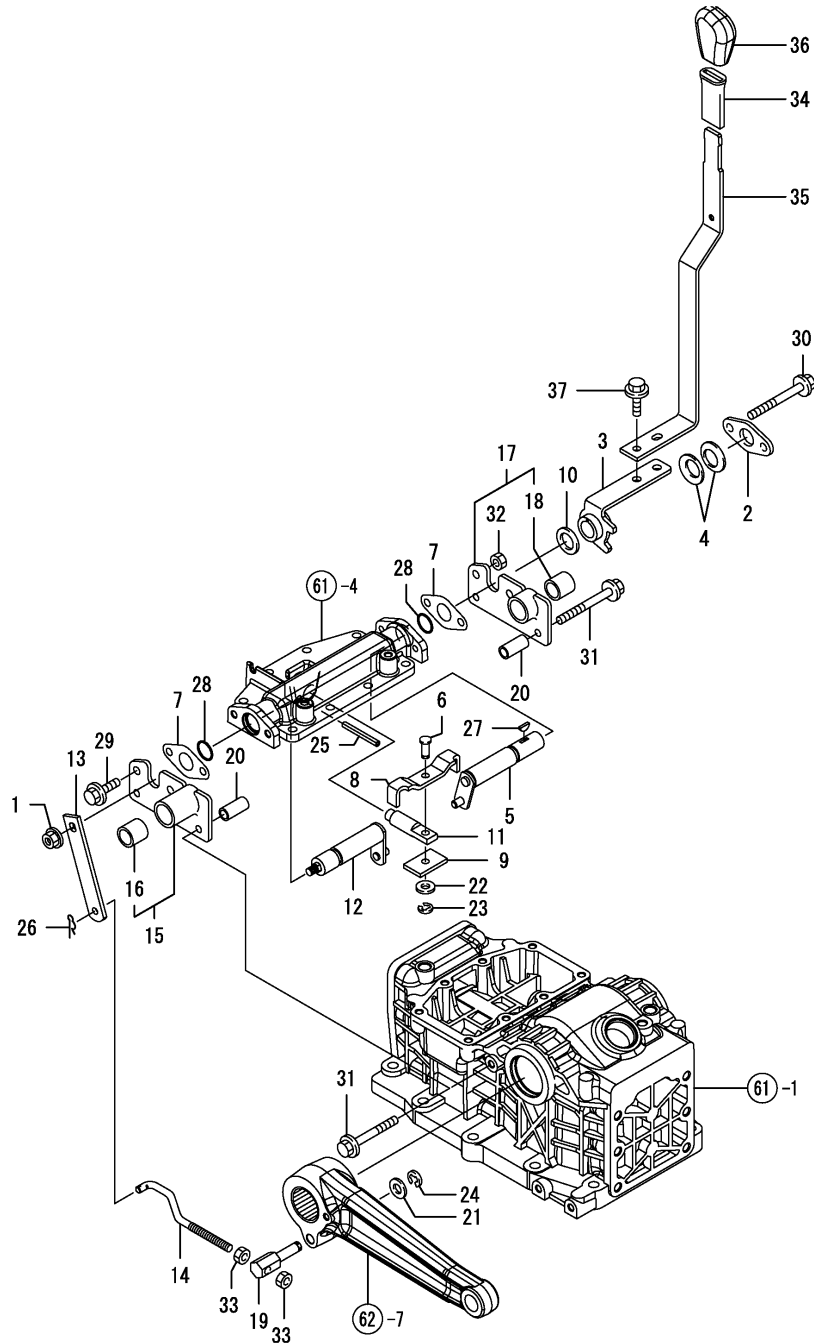


REF.	LEV.	PARTS NO.	DESCRIPTION	Q'TY						I	R
				(A)	(B)	(C)	(D)	(E)	(F)		
1	1	198280-46810	BRACKET ASSY,LEVER	1	1	1	1				
2	1	198280-46870	PIN ASSY,HINGE	2	2	2	2				
3	1	198133-46890	LINK,SCV LEVER	1	1	1	1				
4	1	198280-46910	LEVER ASSY,SCV1	1	1	1	1				
5	2	24550-012100	BUSH 12X10	2	2	2	2				
6	1	198280-46940	LEVER ASSY,SCV2	1	1	1	1				
7	2	24550-012100	BUSH 12X10	2	2	2	2				
8	1	1C6281-52310	PIN 6,COME-OFF SNAP	3	3	3	3				
9	1	194990-85561	KNOB	2	2	2	2				
10	1	22372-080000	SNAP PIN (JASO 8)	1	1	1	1				
11	1	22486-060160	PIN 6X 16	1	1	1	1				
12	1	22486-080600	PIN 8X60	1	1	1	1				
13	1	26106-060122	BOLT M 6X 12 PLATED	3	3	3	3				
14	1	26106-060122	BOLT M 6X 12 PLATED	2	2	2	2				

Fig.68. HYDRAULIC CONTROL

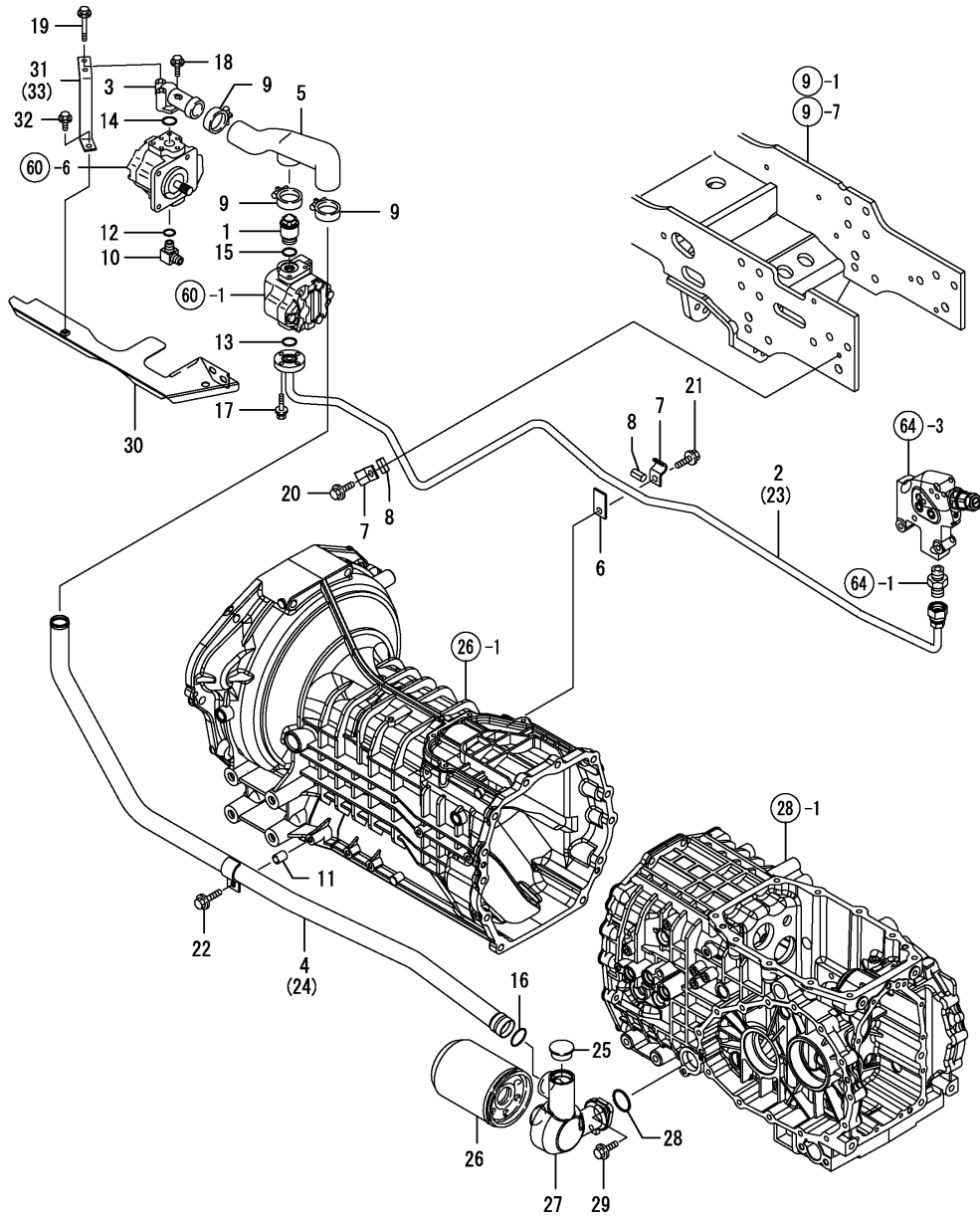
(A)=EF227EH
(B)=EF230EH
(C)=EF233EH

(D)=EF235EH
(E)=
(F)=



REF.	LEV.	PARTS NO.	DESCRIPTION	QTY						I	R
				(A)	(B)	(C)	(D)	(E)	(F)		
1	1	194990-22050	NUT W/WASHER 8	1	1	1	1				
2	1	194940-47210	PLATE	1	1	1	1				
3	1	198280-47210	ARM, P LEVER	1	1	1	1				
4	1	194940-47220	WASHER 20,SPRING	2	2	2	2				
5	1	198280-47310	SHAFT, P LEVER	1	1	1	1				
6	1	198431-47340	PIN,CONTROL	1	1	1	1				
7	1	194555-47350	PLATE	2	2	2	2				
8	1	198200-47411	LINK, P CONTROL	1	1	1	1				
9	1	198280-47430	PLATE	1	1	1	1				
10	1	194170-47440	PLATE, FRICTION	1	1	1	1				
11	1	198200-47460	ROD, CONTROL	1	1	1	1				
12	1	198280-47500	SHAFT, P FEEDBACK	1	1	1	1				
13	1	198200-47510	ARM, P FEEDBACK	1	1	1	1				
14	1	198280-47540	ROD, P FEEDBACK	1	1	1	1				
15	1	198280-47550	STAY ASSY,P BRAKE	1	1	1	1				
16	2	24550-020200	BUSH 20X20,DRY	1	1	1	1				
17	1	198280-47580	STAY ASSY,P BRAKE	1	1	1	1				
18	2	24550-020200	BUSH 20X20,DRY	1	1	1	1				
19	1	198200-47650	PIN, ADJUSTMENT	1	1	1	1				
20	1	1C6280-62240	COLLAR 9.2X13.8X30	2	2	2	2				
21	1	22117-100000	WASHER 10	1	1	1	1				
22	1	22137-080000	WASHER 8, POLISHED	1	1	1	1				
23	1	22272-000060	CIRCLIP E- 6	1	1	1	1				
24	1	22272-000080	CIRCLIP E- 8	1	1	1	1				
25	1	22351-060050	SPRING PIN 6X50	1	1	1	1				
26	1	22372-080000	SNAP PIN (JASO 8)	1	1	1	1				
27	1	22522-030130	WOODRUFF KEY 3X13	1	1	1	1				
28	1	24311-000200	O-RING 1A P-20.0	2	2	2	2				
29	1	26106-080162	BOLT M 8X 16 PLATED	2	2	2	2				
30	1	26106-080502	BOLT M 8X 50 PLATED	2	2	2	2				
31	1	26106-080502	BOLT M 8X 50 PLATED	2	2	2	2				
32	1	26716-080002	NUT M 8	2	2	2	2				
33	1	26716-080002	NUT M 8	2	2	2	2				
34	1	198072-27880	BOOT,SHAFT	1	1	1	1				
35	1	198200-47110	LEVER, POSITION	1	1	1	1				
36	1	198200-47810	KNOB, BLACK	1	1	1	1				
37	1	26106-080162	BOLT M 8X 16 PLATED	2	2	2	2				

Fig.69. HYDRAULIC PIPING

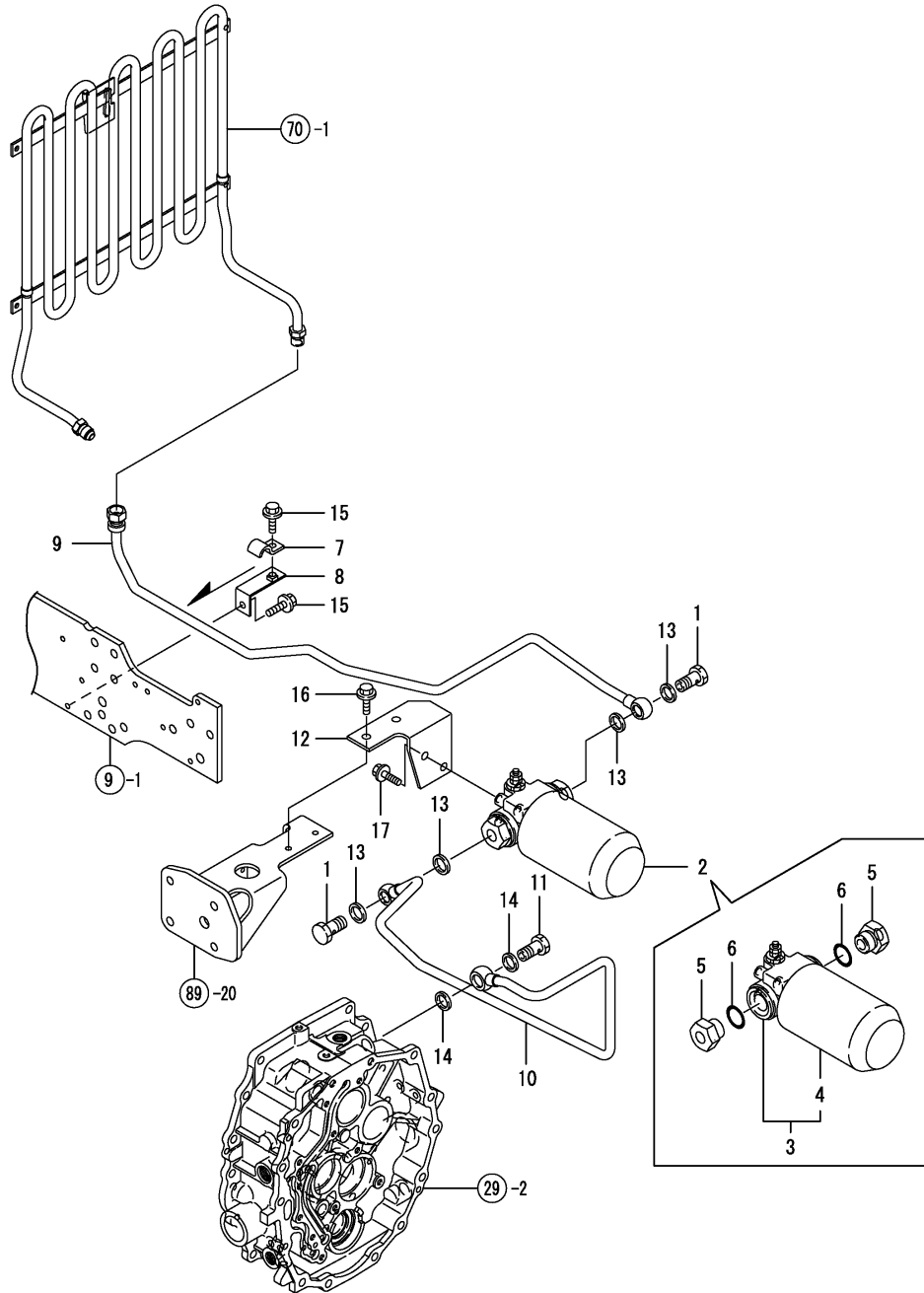


(A)=EF227EH
(B)=EF230EH
(C)=EF233EH

(D)=EF235EH
(E)=
(F)=

REF.	LEV.	PARTS NO.	DESCRIPTION	Q'TY						I	R
				(A)	(B)	(C)	(D)	(E)	(F)		
1	1	198010-41211	JOINT M22	1	1	1	1				
2	1	198200-48110	LINE ASSY,PRESSURE	1							
3	1	198220-48140	FLANGE	1	1	1	1				
4	1	198200-48160	LINE ASSY,LOW PRESS.	1							
5	1	198072-48340	TUBE,LOW-PRES.RUBBER	1	1	1	1				
6	1	198330-48410	CLAMP	1	1	1	1				
7	1	198200-48810	CLAMP	2	2	2	2				
8	1	198240-48850	CUSSION	2	2	2	2				
9	1	175022-49730	CRIP 31, HOSE	3	3	3	3				
10	1	1E6680-66470	ELBOW 3/8 W/SEAT	1	1	1	1				
11	1	198360-86840	COLLAR 8.4X12X15	1	1	1	1				
12	1	24311-000140	O-RING 1A P-14.0	1	1	1	1				
13	1	24311-000200	O-RING 1A P-20.0	1	1	1	1				
14	1	24311-000200	O-RING 1A P-20.0	1	1	1	1				
15	1	24311-000200	O-RING 1A P-20.0	1	1	1	1				
16	1	24311-000260	O-RING 1A P-26.0	1	1	1	1				
17	1	26018-060252	BOLT M 6X 25	4	4	4	4				
18	1	26106-060202	BOLT M 6X 20 PLATED	1	1	1	1				
19	1	26106-060452	BOLT M 6X 45 PLATED	2	2	2	2				
20	1	26106-080162	BOLT M 8X 16 PLATED	1	1	1	1				
21	1	26106-080202	BOLT M 8X 20 PLATED	1	1	1	1				
22	1	26106-080302	BOLT M 8X 30 PLATED	1	1	1	1				
23	1	198208-48110	LINE ASSY,PRESSURE	1	1	1	1				
24	1	198208-48160	LINE ASSY,LOW PRESS.	1	1	1	1				
25	1	1A6660-24250	PLUG, BORE 32	1	1	1	1				
26	1	198119-48310	ELEMENT	1	1	1	1				
27	1	198200-48350	COVER, FILTER	1	1	1	1				
28	1	24311-000340	O-RING 1A P-34.0	1	1	1	1				
29	1	26106-080252	BOLT M 8X 25 PLATED	2	2	2	2				
30	1	198280-61910	CURRENT PLATE	1	1	1	1				
31	1	198200-61930	BRACKET, LEVER R	1							
32	1	26106-060126	BOLT, 6 X 12	1	1	1	1				
33	1	198208-61930	BRACKET	1	1	1	1				

Fig.71. H.S.T. PIPING

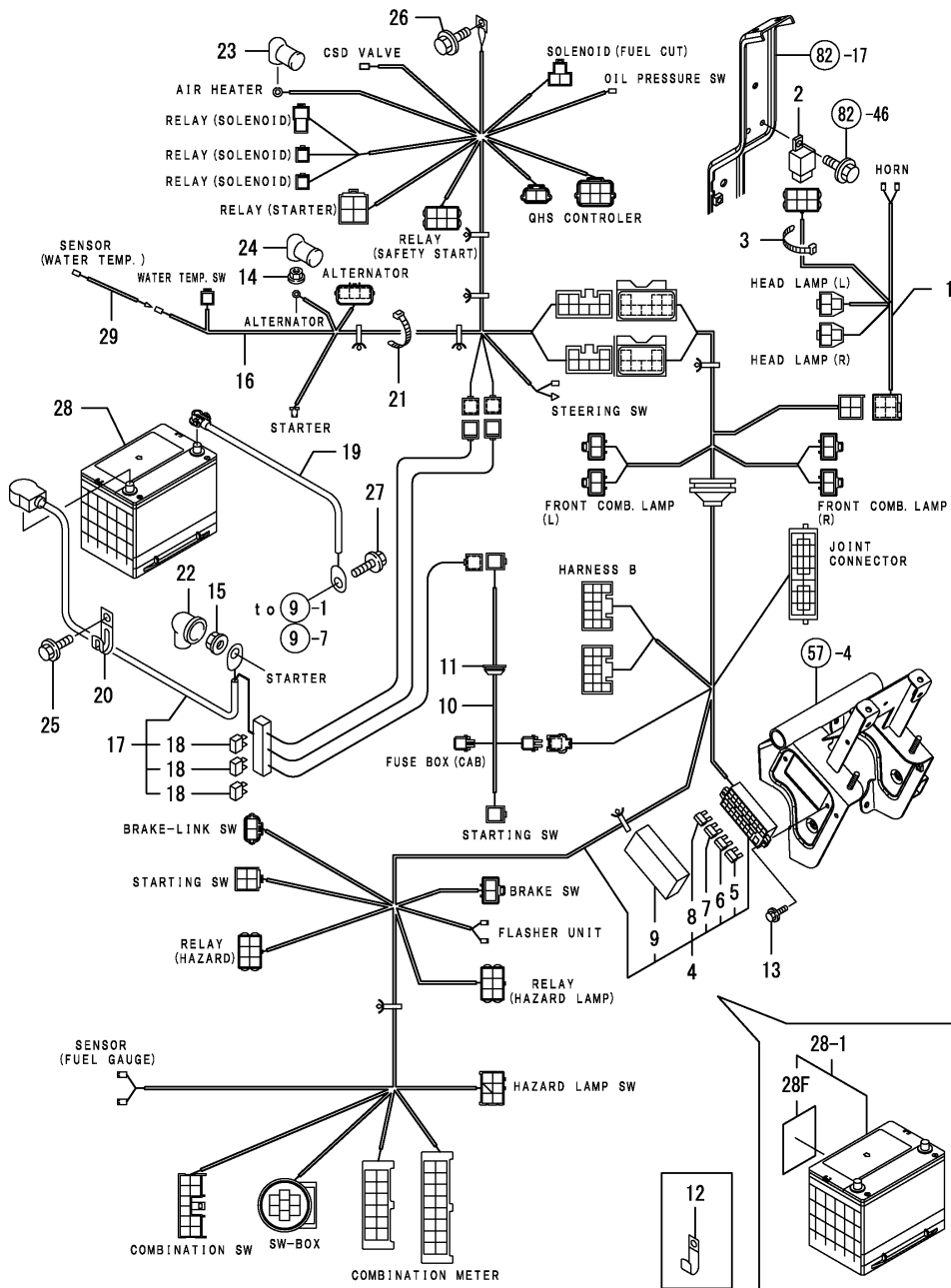


(A)=EF227EH
(B)=EF230EH
(C)=EF233EH

(D)=EF235EH
(E)=
(F)=

REF.	LEV.	PARTS NO.	DESCRIPTION	Q'TY						I	R
				(A)	(B)	(C)	(D)	(E)	(F)		
1	1	194321-17870	BOLT 10, PIPE JOINT	2	2	2	2				
2	1	198280-48300	FILTER ASSY,	1	1	1	1				
3	2	198129-29300	FILTER CMP,OIL	1	1	1	1				
4	3	198129-29310	FILTER	1	1	1	1				
5	2	198280-48950	JOINT,G3/4	2	2	2	2				
6	2	24311-000240	O-RING 1A P-24.0	2	2	2	2				
7	1	198071-48390	CLAMP 12 M	1	1	1	1				
8	1	198280-48410	PLATE,CLAMP	1	1	1	1				
9	1	198280-48610	LINE ASSY,FILTER	1	1	1	1				
10	1	198280-48650	LINE ASSY,HST CHARGE	1	1	1	1				
11	1	198220-48750	CONNECTOR ASSY	1	1	1	1				
12	1	198280-48960	BRACKET,FILTER	1	1	1	1				
13	1	23414-160021	GASKET 16	4	4	4	4				
14	1	23414-180023	GASKET 18	2	2	2	2				
15	1	26106-080162	BOLT M 8X 16 PLATED	2	2	2	2				
16	1	26106-100162	BOLT M10X 16 PLATED	2	2	2	2				
17	1	26106-100202	BOLT M10X 20 PLATED	2	2	2	2				

Fig.72. WIRE HARNESS(FLOOR)



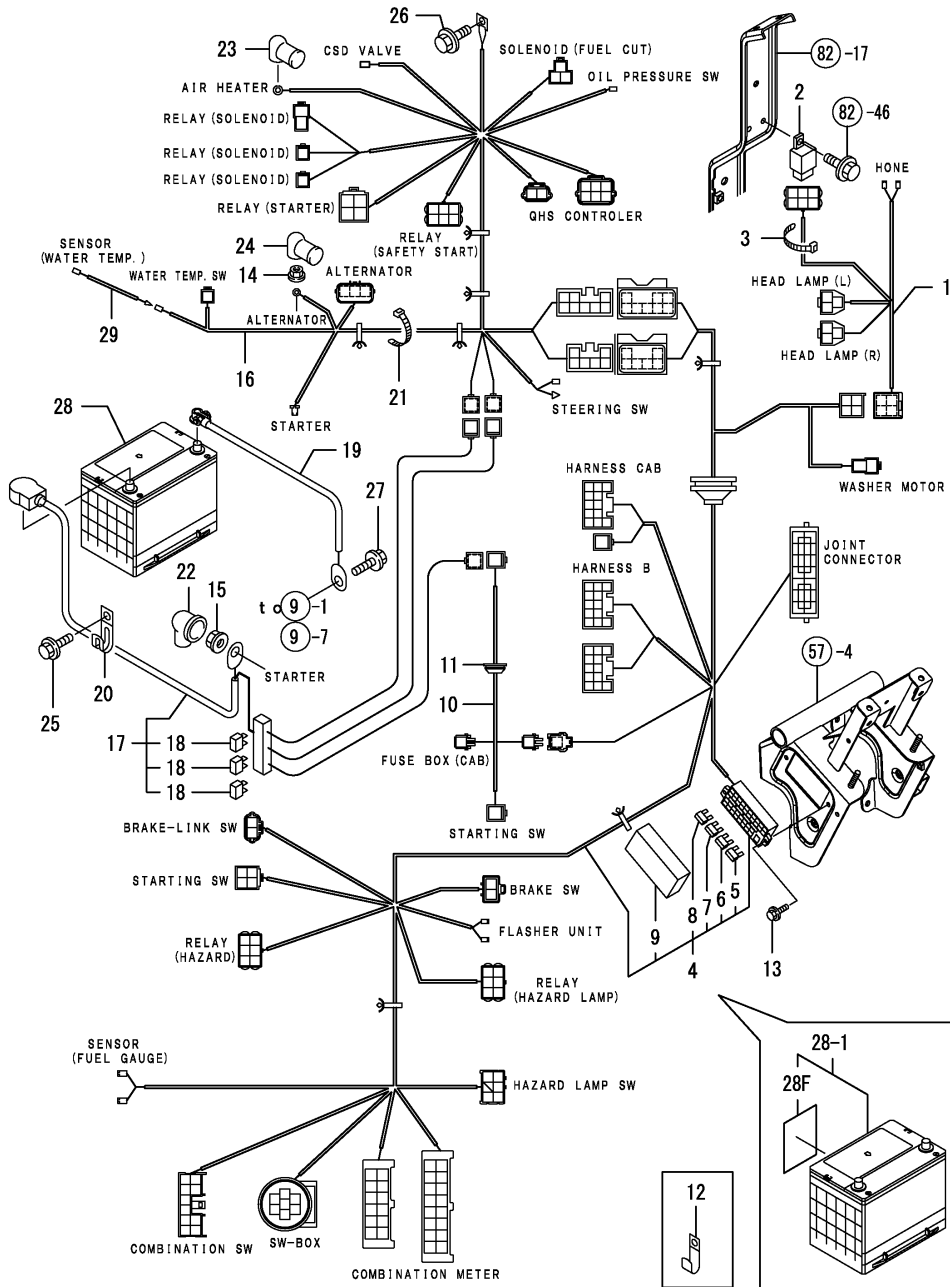
OCNP4-G32200 72. WIRE HARNESS(FLOOR)

(A)=EF227EH
(B)=EF230EH
(C)=EF233EH

(D)=EF235EH
(E)=
(F)=

REF.	LEV.	PARTS NO.	DESCRIPTION	QTY						I	R
				(A)	(B)	(C)	(D)	(E)	(F)		
1	1	198280-51170	WIRING HARNESS, LAMP	1	1	1	1				
2	1	198461-52950	RELAY CA,TYPE C	1	1	1	1				
3	1	29622-250001	BAND RF 250	1	1	1	1				
4	1	198280-51150	WIRING HARNESS, F	1	1	1	1				
5	2	198535-52110	FUSE	3	3	3	3				
6	2	198535-52120	FUSE 10A	5	5	5	5				
7	2	198535-52130	FUSE 15A	2	2	2	2				
8	2	198535-52140	FUSE 20A	3	3	3	3				
9	2	198200-52520	COVER, FUSE BOX	1	1	1	1				
10	1	198280-51200	CABLE, STARTER	1	1	1	1				
11	1	194170-51210	GROMMET 25	1	1	1	1				
12	1	194242-51660	CLAMP, WIRE HARNESS	1	1	1	1				
13	1	26106-060122	BOLT M 6X 12 PLATED	2	2	2	2				
14	1	194990-22130	NUT W/WASHER 6	1	1	1	1				
15	1	194990-22140	NUT W/WASHER 8	1	1	1	1				
16	1	198280-51110	WIRING HARNESS, A	1	1	1	1				
17	1	198280-51410	CABLE, BATTERY	1	1	1	1				
18	2	1A7000-52820	SLOW BLOW FUSE60A	3	3	3	3				
19	1	194250-51420	CABLE, BATTERY EARTH	1	1	1	1				
20	1	194440-51620	CLAMP, WIRE HARNESS		1	1	1				
21	1	198220-51870	CLAMP 200	1							
22	1	124550-77030	COVER, TERMINAL	1	1	1	1				
23	1	124756-77040	COVER, TERMINAL	1	1	1	1				
24	1	124756-77040	COVER, TERMINAL	1	1	1	1				
25	1	26106-080122	BOLT M 8X 12 PLATED		1	1	1				
26	1	26106-080122	BOLT M 8X 12 PLATED	1	1	1	1				
27	1	26106-080162	BOLT M 8X 16 PLATED	1	1	1	1				
28	1	198280-51540	BATTERY,	1	1	1	1				
28-1	1	198280-51900	BATTERY KIT,80D26R	1	1	1	1				N
		(A=*2009.03.)	(B=*2009.03.)	(C=*2009.03.)	(D=*2009.03.)						
28F	2	1A7550-91900	LABEL,CROSSED OUT PB	1	1	1	1				W
		(A=*2009.03.)	(B=*2009.03.)	(C=*2009.03.)	(D=*2009.03.)						
29	1	198200-51510	CORD,WATER TEMP.	1							

Fig.73. WIRE HARNESS(FLOOR(CABIN))

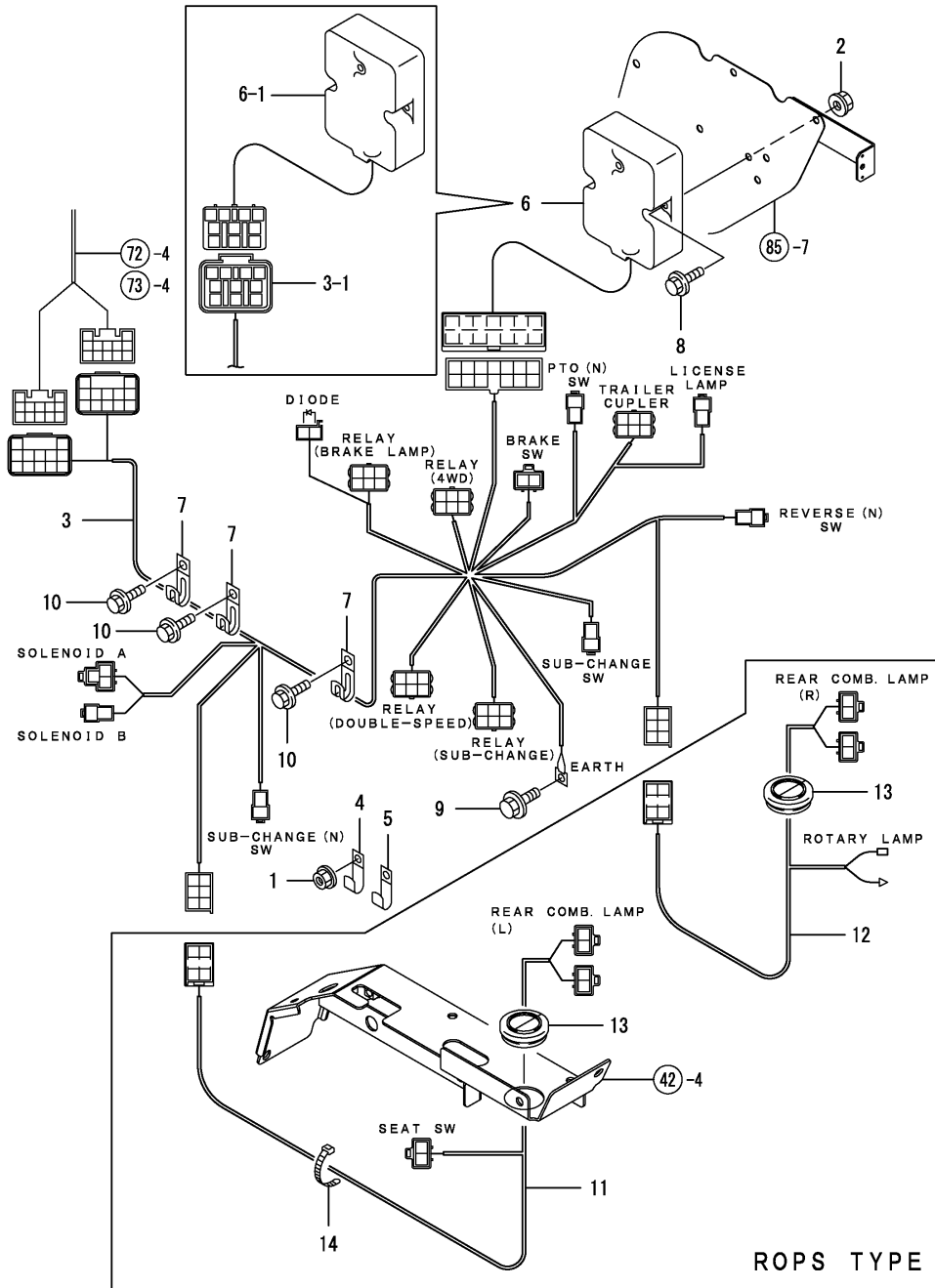


(A)=EF227EH
(B)=EF230EH
(C)=EF233EH

(D)=EF235EH
(E)=
(F)=

REF.	LEV.	PARTS NO.	DESCRIPTION	QTY						I	R
				(A)	(B)	(C)	(D)	(E)	(F)		
1	1	198280-51170	WIRING HARNESS, LAMP	1	1	1	1				
2	1	198461-52950	RELAY CA,TYPE C	1	1	1	1				
3	1	29622-250001	BAND RF 250	1	1	1	1				
4	1	198287-51150	WIRING HARNESS, F	1	1	1	1				
5	2	198535-52110	FUSE	5	5	5	5				
6	2	198535-52120	FUSE 10A	6	6	6	6				
7	2	198535-52130	FUSE 15A	4	4	4	4				
8	2	198535-52140	FUSE 20A	3	3	3	3				
9	2	198200-52520	COVER, FUSE BOX	1	1	1	1				
10	1	198280-51200	CABLE, STARTER	1	1	1	1				
11	1	194170-51210	GROMMET 25	1	1	1	1				
12	1	194242-51660	CLAMP, WIRE HARNESS	1	1	1	1				
13	1	26106-060122	BOLT M 6X 12 PLATED	2	2	2	2				
14	1	194990-22130	NUT W/WASHER 6	1	1	1	1				
15	1	194990-22140	NUT W/WASHER 8	1	1	1	1				
16	1	198280-51110	WIRING HARNESS, A	1	1	1	1				
17	1	198280-51410	CABLE, BATTERY	1	1	1	1				
18	2	1A7000-52820	SLOW BLOW FUSE60A	3	3	3	3				
19	1	194250-51420	CABLE, BATTERY EARTH	1	1	1	1				
20	1	194440-51620	CLAMP, WIRE HARNESS		1	1	1				
21	1	198220-51870	CLAMP 200	1	1	1	1				
22	1	124550-77030	COVER, TERMINAL	1	1	1	1				
23	1	124756-77040	COVER, TERMINAL	1	1	1	1				
24	1	124756-77040	COVER, TERMINAL	1	1	1	1				
25	1	26106-080122	BOLT M 8X 12 PLATED		1	1	1				
26	1	26106-080122	BOLT M 8X 12 PLATED	1	1	1	1				
27	1	26106-080162	BOLT M 8X 16 PLATED	1	1	1	1				
28	1	198280-51540	BATTERY,	1	1	1	1				
28-1	1	198280-51900	BATTERY KIT,80D26R	1	1	1	1				N
		(A=*2009.03.)	(B=*2009.03.)	(C=*2009.03.)	(D=*2009.03.)						
28F	2	1A7550-91900	LABEL,CROSSED OUT PB	1	1	1	1				W
		(A=*2009.03.)	(B=*2009.03.)	(C=*2009.03.)	(D=*2009.03.)						
29	1	198200-51510	CORD,WATER TEMP.	1							

Fig.74. WIRE HARNESS(TRANSMISSION)



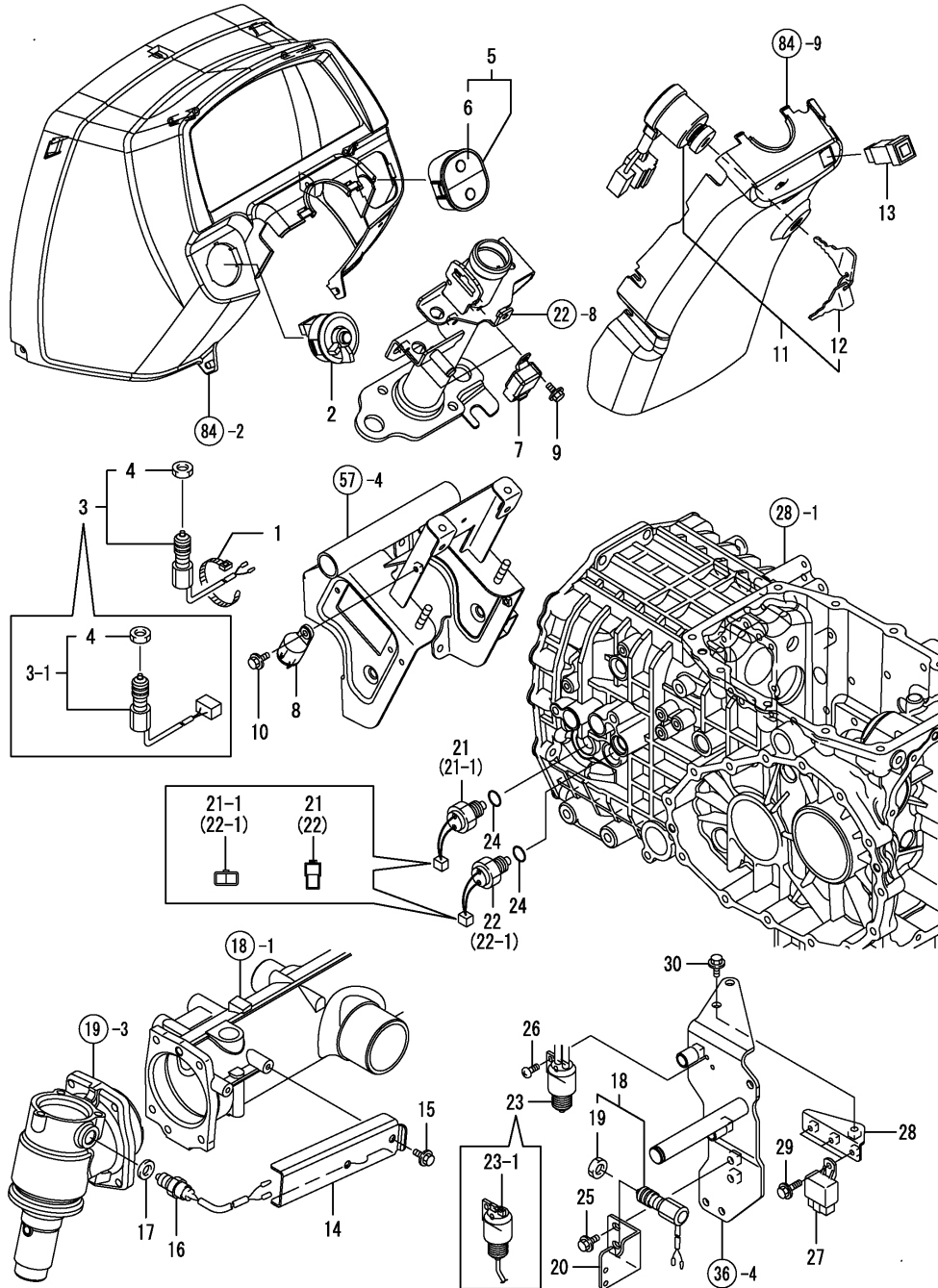
OCNP4-G32200 74. WIRE HARNESS(TRANSMISSION)

(A)=EF227EH
(B)=EF230EH
(C)=EF233EH

(D)=EF235EH
(E)=
(F)=

REF.	LEV.	PARTS NO.	DESCRIPTION	QTY						I	R
				(A)	(B)	(C)	(D)	(E)	(F)		
1	1	194990-22130	NUT W/WASHER 6	1	1	1	1				
2	1	194990-22130	NUT W/WASHER 6	2	2	2	2				
3	1	198280-51130	WIRING HARNESS, B	1	1	1	1				S
		(A=*2005.10.) (B=*2005.10.) (C=*2005.10.) (D=*2005.10.)									
4	1	194440-51630	CLAMP, WIRE HARNESS	1	1	1	1				
5	1	194180-51640	CLAMP, WIRE HARNESS	2	2	2	2				
6	1	198165-52600	CONTROLLER,CHAIN	1	1	1	1				
6-1	1	198280-52600	CONTROLLER, CHAIN	1	1	1	1				S
		(A=*2005.10.) (B=*2005.10.) (C=*2005.10.) (D=*2005.10.)									
7	1	1E6102-83230	CLAMP, BATTERY CABLE	3	3	3	3				
8	1	26106-060202	BOLT M 6X 20 PLATED	2	2	2	2				
9	1	26106-080122	BOLT M 8X 12 PLATED	1	1	1	1				
10	1	26106-080122	BOLT M 8X 12 PLATED	3	3	3	3				
11	1	198280-51180	WIRING HARNESS, C	1	1	1	1				
12	1	198280-51190	WIRING HARNESS, D	1	1	1	1				
13	1	198133-51350	GROMMET 38A	2	2	2	2				
14	1	29622-250001	BAND RF 250	1	1	1	1				

Fig.75. SWITCHES

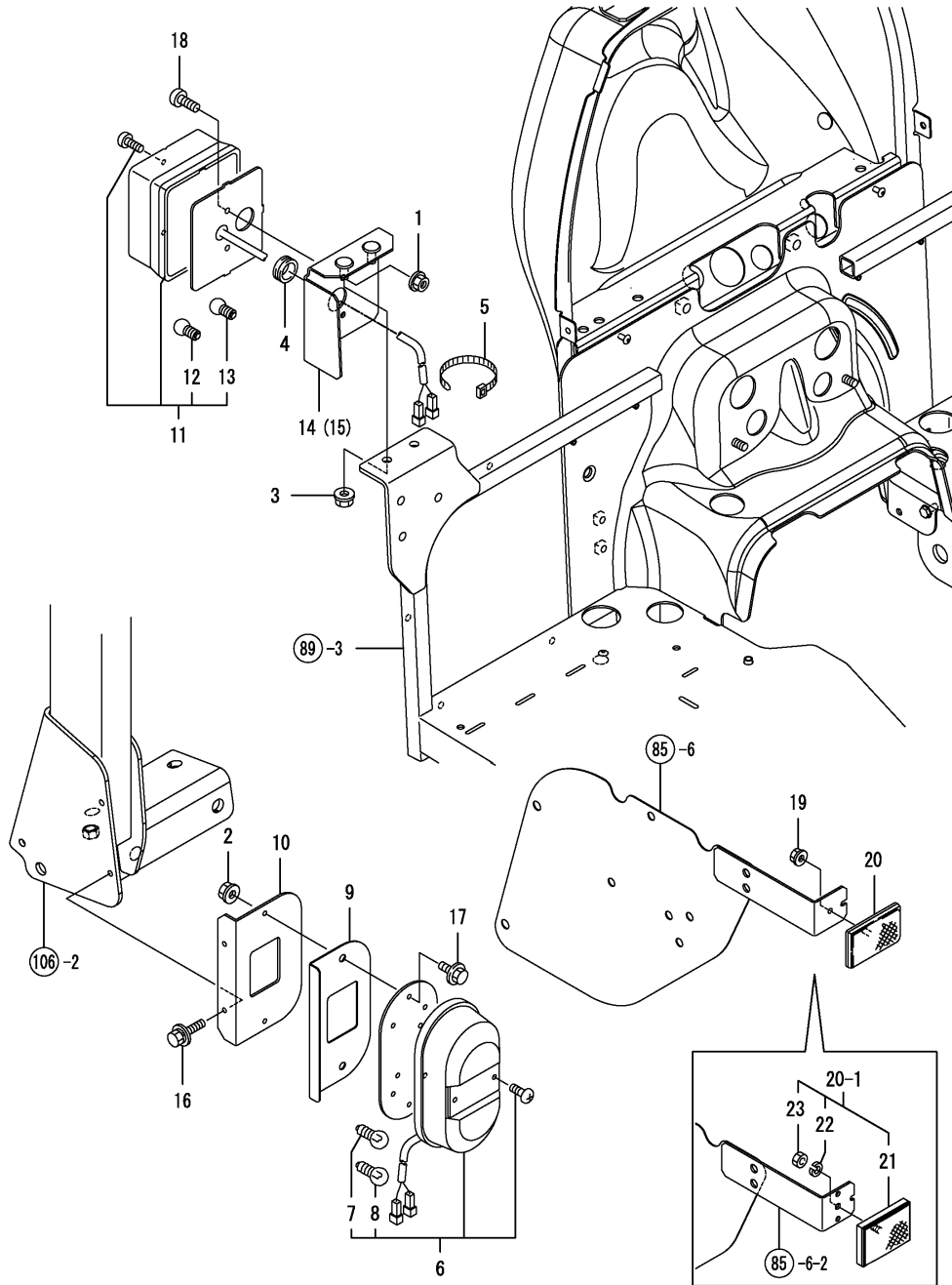


(A)=EF227EH
(B)=EF230EH
(C)=EF233EH

(D)=EF235EH
(E)=
(F)=

REF.	LEV.	PARTS NO.	DESCRIPTION	Q'TY						I	R
				(A)	(B)	(C)	(D)	(E)	(F)		
1	1	194242-51660	CLAMP, WIRE HARNESS	1	1	1	1				
2	1	198200-52140	SWITCH, COMBINATION	1	1	1	1				
3	1	198223-52150	SWITCH, BRAKE LAMP	1	1	1	1				
3-1	1	198280-52130	SWITCH ASSY, LAMP	1	1	1	1				S
		(A=*2005.10.) (B=*2005.10.) (C=*2005.10.) (D=*2005.10.)									
4	2	26776-120002	LOCK NUT M12 PLATED	1	1	1	1				
5	1	198280-52200	BOX, SWITCH 2SW	1	1	1	1				
6	2	198280-52210	LABEL,	1	1	1	1				
7	1	198461-52950	RELAY CA, TYPE C	2	2	2	2				
8	1	198327-57200	RELAY	1	1	1	1				
9	1	26106-060122	BOLT M 6X 12 PLATED	2	2	2	2				
10	1	26106-060162	BOLT M 6X 16 PLATED	1	1	1	1				
11	1	194940-52110	SWITCH, STARTER	1	1	1	1				
12	2	198360-52160	KEY COMPL.	1	1	1	1				
13	1	1A7335-52120	HAZARD SW	1	1	1	1				
14	1	198200-19130	COVER, SWITCH	1	1	1	1				
15	1	26106-080122	BOLT M 8X 12 PLATED	2	2	2	2				
16	1	198071-52190	SWITCH, HIGH-GRIP	1	1	1	1				
17	1	23414-180000	GASKET 18, ROUND	1	1	1	1				
18	1	198223-52150	SWITCH, BRAKE LAMP	1	1	1	1				
19	2	26776-120002	LOCK NUT M12 PLATED	1	1	1	1				
20	1	198280-52160	STAY, BRAKE SWITCH	1	1	1	1				
21	1	194464-52190	SWITCH, SAFETY START	1	1	1	1				
21-1	1	198269-52190	SWITCH	1	1	1	1				S
		(A=*2005.10.) (B=*2005.10.) (C=*2005.10.) (D=*2005.10.)									
22	1	194464-52190	SWITCH, SAFETY START	1	1	1	1				
22-1	1	198269-52190	SWITCH	1	1	1	1				S
		(A=*2005.10.) (B=*2005.10.) (C=*2005.10.) (D=*2005.10.)									
23	1	194940-52300	SWITCH, BUZZER	1	1	1	1				
23-1	1	1E8770-81320	SWITCH	1	1	1	1				S
		(A=*2005.10.) (B=*2005.10.) (C=*2005.10.) (D=*2005.10.)									
24	1	24311-000180	O-RING 1A P-18.0	2	2	2	2				
25	1	26106-080162	BOLT M 8X 16 PLATED	2	2	2	2				
26	1	26557-050102	SCREW M 5X 10	2	2	2	2				
27	1	198461-52950	RELAY CA, TYPE C	4	4	4	4				
28	1	198280-58100	STAY, RELAY	1	1	1	1				
29	1	26106-060122	BOLT M 6X 12 PLATED	3	3	3	3				
30	1	26106-080162	BOLT M 8X 16 PLATED	1	1	1	1				

Fig.76. LAMPS



(A)=EF227EH
(B)=EF230EH
(C)=EF233EH

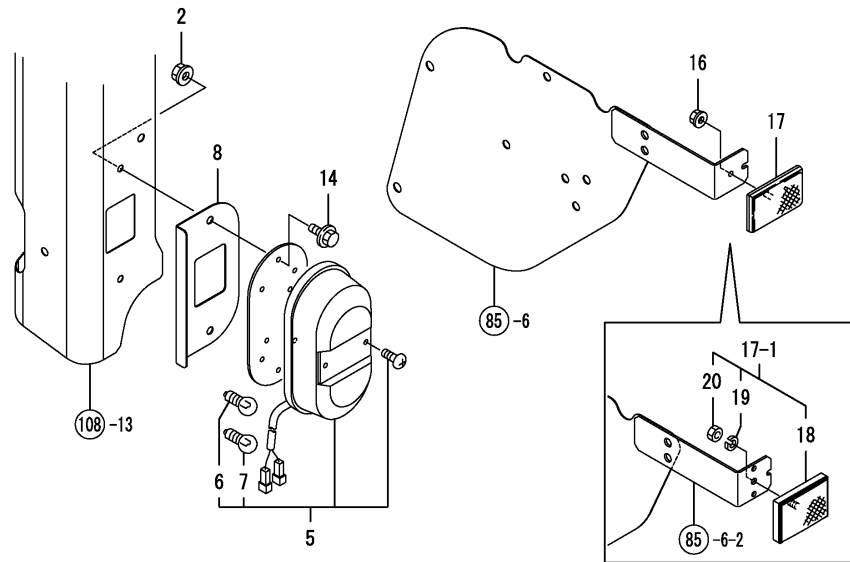
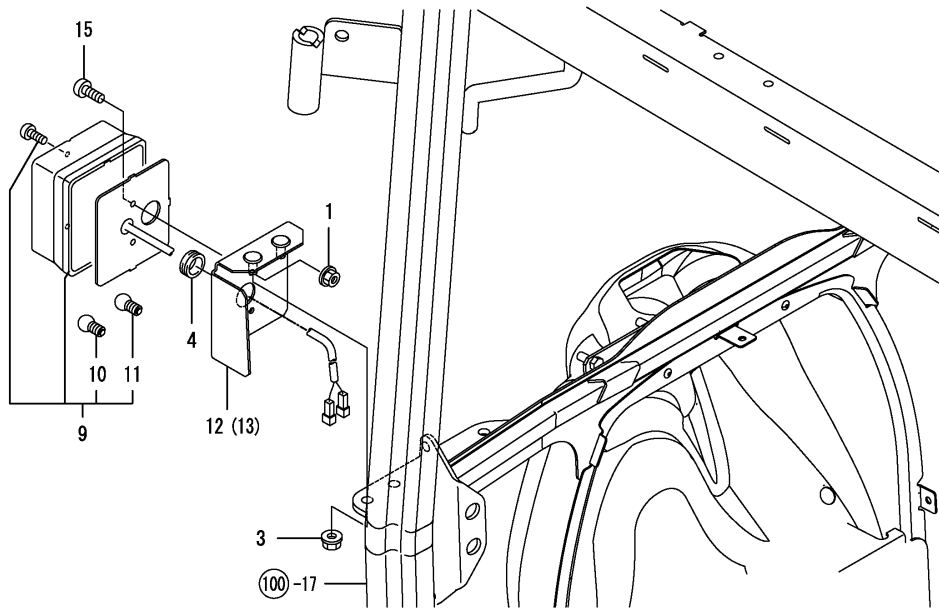
(D)=EF235EH
(E)=
(F)=

REF.	LEV.	PARTS NO.	DESCRIPTION	Q'TY						I	R
				(A)	(B)	(C)	(D)	(E)	(F)		
1	1	194990-22120	NUT W/WASHER 5	4	4	4	4				
2	1	194990-22130	NUT W/WASHER 6	4	4	4	4				
3	1	194990-22140	NUT W/WASHER 8	4	4	4	4				
4	1	198448-33390	GROMMET,CABLE	2	2	2	2				
5	1	194680-51670	BAND	6	6	6	6				
6	1	198280-53300	LAMP ASSY, REAR	2	2	2	2				
7	2	1A7100-53220	BULB	2	2	2	2				
8	2	198280-53330	VALVE, 12V P21/5W	2	2	2	2				
9	1	198280-53350	PLATE, REAR LAMP	2	2	2	2				
10	1	198280-53360	STAY, REAR LAMP	2	2	2	2				
11	1	198280-53400	LAMP ASSY,FRONT	2	2	2	2				
12	2	1A7100-53220	BULB	2	2	2	2				
13	2	1A7100-53230	BULB	2	2	2	2				
14	1	198280-53510	BRACKET, L FRONT	1	1	1	1				
15	1	198280-53520	BRACKET, R FRONT	1	1	1	1				
16	1	198461-60590	BOLT 6* 20	4	4	4	4				
17	1	26106-060162	BOLT M 6X 16 PLATED	4	4	4	4				
18	1	26557-050122	SCREW, M5X12	4	4	4	4				
19	1	194990-22120	NUT W/WASHER 5	2	2	2	2				Z
		(A=FZZZZZ) (B=FZZZZZ) (C=FZZZZZ) (D=FZZZZZ)									
20	1	198280-62250	REFLECTOR	2	2	2	2				
20-1	1	198280-62260	REFLECTOR	2	2	2	2				S
		(A=FZZZZZ) (B=FZZZZZ) (C=FZZZZZ) (D=FZZZZZ)									
21	2	198280-62270	REFLECTOR	1	1	1	1				W
		(A=FZZZZZ) (B=FZZZZZ) (C=FZZZZZ) (D=FZZZZZ)									
22	2	22217-060000	SPRING WASHER 6	1	1	1	1				W
		(A=FZZZZZ) (B=FZZZZZ) (C=FZZZZZ) (D=FZZZZZ)									
23	2	26716-060002	NUT 6	1	1	1	1				W
		(A=FZZZZZ) (B=FZZZZZ) (C=FZZZZZ) (D=FZZZZZ)									

Fig.77. LAMP(CABIN)

(A)=EF227EH
(B)=EF230EH
(C)=EF233EH

(D)=EF235EH
(E)=
(F)=

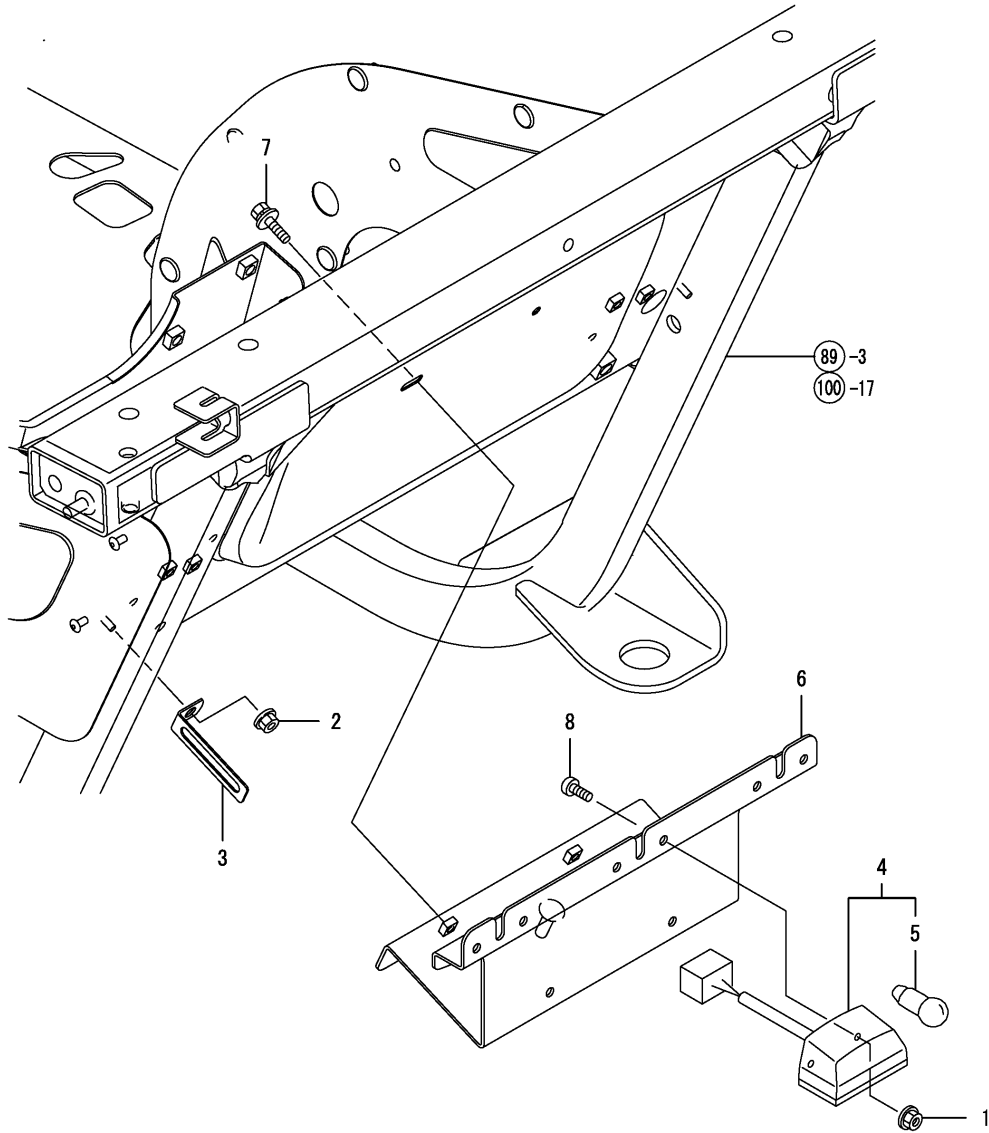


REF.	LEV.	PARTS NO.	DESCRIPTION	Q'TY						I	R
				(A)	(B)	(C)	(D)	(E)	(F)		
1	1	194990-22120	NUT W/WASHER 5	4	4	4	4				
2	1	194990-22130	NUT W/WASHER 6	4	4	4	4				
3	1	194990-22140	NUT W/WASHER 8	4	4	4	4				
4	1	198448-33390	GROMMET,CABLE	2	2	2	2				
5	1	198280-53300	LAMP ASSY, REAR	2	2	2	2				
6	2	1A7100-53220	BULB	2	2	2	2				
7	2	198280-53330	VALVE, 12V P21/5W	2	2	2	2				
8	1	198280-53350	PLATE, REAR LAMP	2	2	2	2				
9	1	198280-53400	LAMP ASSY,FRONT	2	2	2	2				
10	2	1A7100-53220	BULB	2	2	2	2				
11	2	1A7100-53230	BULB	2	2	2	2				
12	1	198280-53510	BRACKET, L FRONT	1	1	1	1				
13	1	198280-53520	BRACKET, R FRONT	1	1	1	1				
14	1	26106-060162	BOLT M 6X 16 PLATED	4	4	4	4				
15	1	26557-050122	SCREW, M5X12	4	4	4	4				
16	1	194990-22120	NUT W/WASHER 5	2	2	2	2				Z
		(A=FZZZZZ) (B=FZZZZZ) (C=FZZZZZ) (D=FZZZZZ)									
17	1	198280-62250	REFLECTOR	2	2	2	2				
17-1	1	198280-62260	REFLECTOR	2	2	2	2				S
		(A=FZZZZZ) (B=FZZZZZ) (C=FZZZZZ) (D=FZZZZZ)									
18	2	198280-62270	REFLECTOR	1	1	1	1				W
		(A=FZZZZZ) (B=FZZZZZ) (C=FZZZZZ) (D=FZZZZZ)									
19	2	22217-060000	SPRING WASHER 6	1	1	1	1				W
		(A=FZZZZZ) (B=FZZZZZ) (C=FZZZZZ) (D=FZZZZZ)									
20	2	26716-060002	NUT 6	1	1	1	1				W
		(A=FZZZZZ) (B=FZZZZZ) (C=FZZZZZ) (D=FZZZZZ)									

Fig.78. LICENCE

(A)=EF227EH
(B)=EF230EH
(C)=EF233EH

(D)=EF235EH
(E)=
(F)=



REF.	LEV.	PARTS NO.	DESCRIPTION	QTY						I	R
				(A)	(B)	(C)	(D)	(E)	(F)		
1	1	194990-22120	NUT W/WASHER 5	2	2	2	2				
2	1	194990-22130	NUT W/WASHER 6	1	1	1	1				
3	1	194440-51630	CLAMP, WIRE HARNESS	1	1	1	1				
4	1	1A7100-53400	LAMP	1	1	1	1				
5	2	1A7100-53420	BULB,LAMP	1	1	1	1				
6	1	198280-53710	BRACKET ASSY,	1	1	1	1				
7	1	198093-85650	BOLT M6X16	2	2	2	2				
8	1	26557-050162	SCREW M 5X 16	2	2	2	2				

Fig.79. METER

(A)=EF227EH
(B)=EF230EH
(C)=EF233EH

(D)=EF235EH
(E)=
(F)=

REF.	LEV.	PARTS NO.	DESCRIPTION	Q'TY						I	R
				(A)	(B)	(C)	(D)	(E)	(F)		
1	1	198280-56010	METER ASSY,	1	1	1	1				
1-1	1	198280-56011	METER ASSY,	1	1	1	1				N
		(A=*2005.04.) (B=*2005.04.) (C=*2005.04.) (D=*2005.04.)									
1-2	1	198280-56012	METER ASSY,	1	1	1	1				N
		(A=*2008.05.) (B=*2008.05.) (C=*2008.05.) (D=*2008.05.)									
1-3	1	198280-56013	METER ASSY,	1	1	1	1				R
		(A=*2008.11.) (B=*2008.11.) (C=*2008.11.) (D=*2008.11.)									
5	2	1C6920-36260	LAMP ASSY.,SOCKET	1	1	1	1				
6	2	198200-56050	BULB, 14V-1.7W	9	9	9	9				
7	2	198448-56150	LAMP 14V/1.4W,SOCKET	5	5	5	5				
8	2	198200-56060	GLASS,	1	1	1	1				
11	1	194940-61790	SCREW 5X16	4	4	4	4				

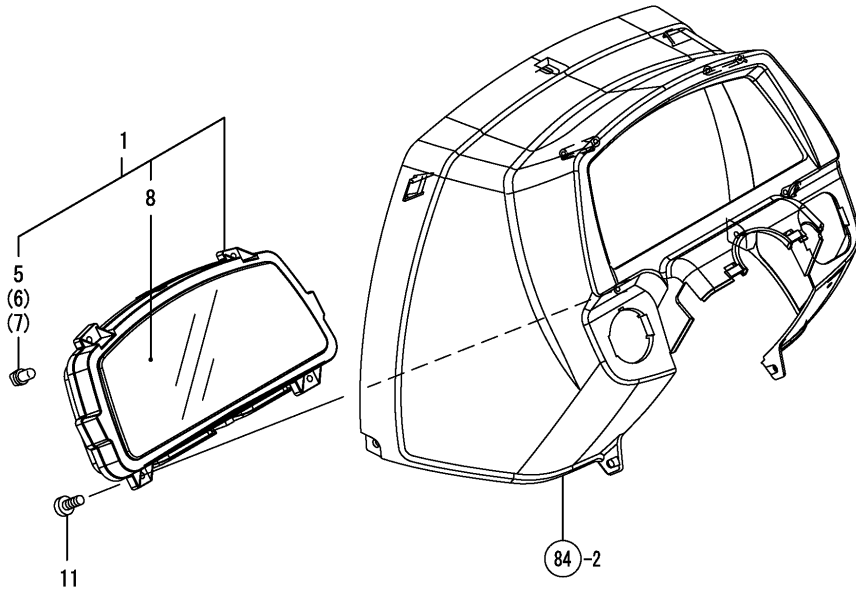
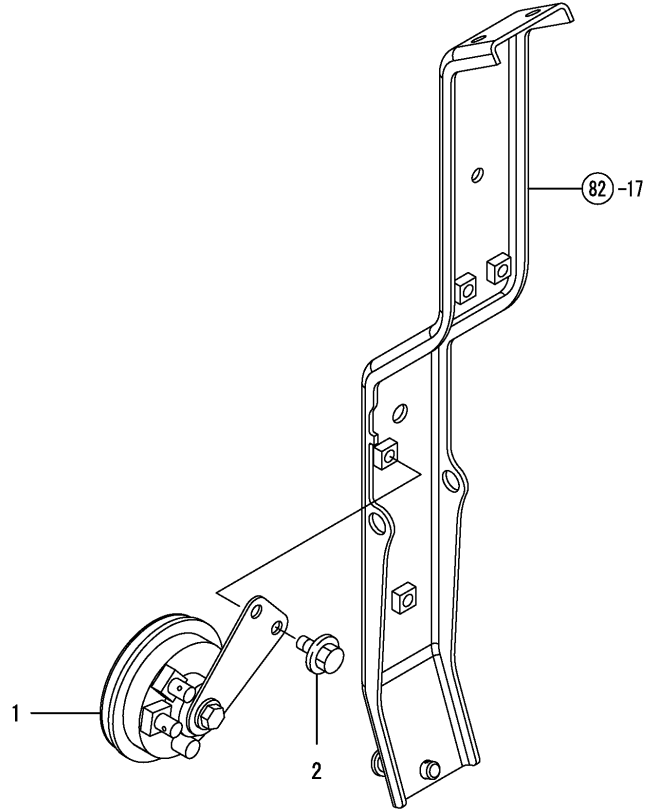


Fig.80. HORN

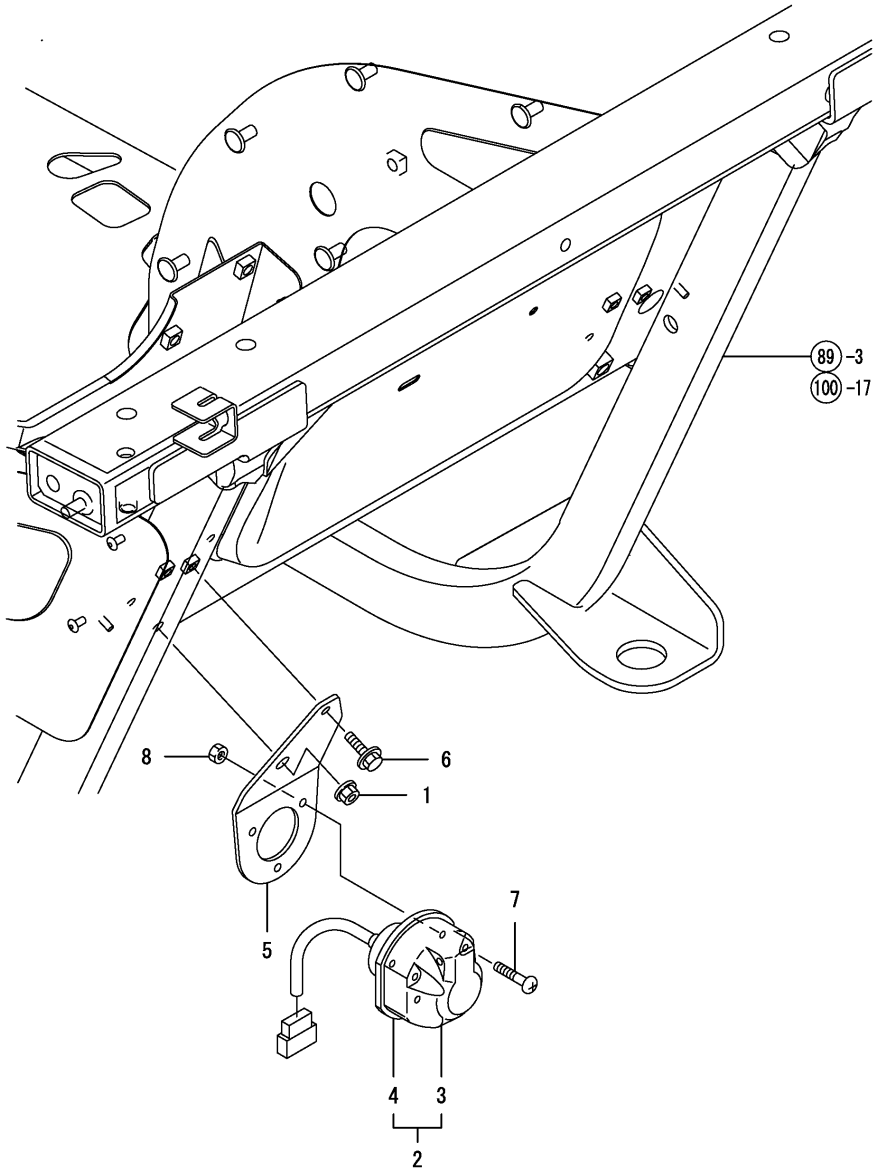
(A)=EF227EH
(B)=EF230EH
(C)=EF233EH

(D)=EF235EH
(E)=
(F)=



REF.	LEV.	PARTS NO.	DESCRIPTION	Q'TY						I	R
				(A)	(B)	(C)	(D)	(E)	(F)		
1	1	1C7100-08150	HORN,ELECTRIC	1	1	1	1				
2	1	26106-060082	BOLT M 6X 8 PLATED	1	1	1	1				

Fig.81. TRAILER COUPLER



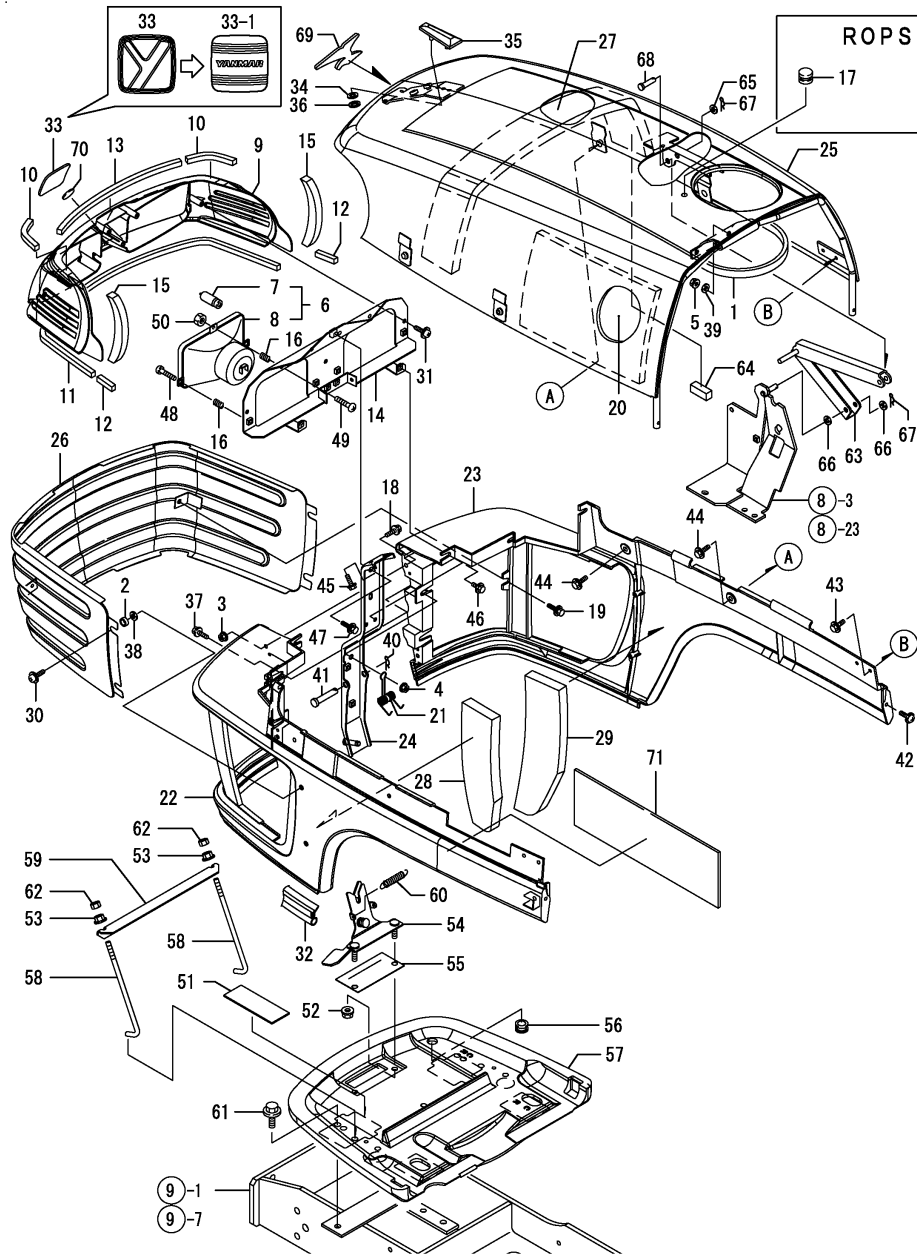
0CNP4-G32200 81. TRAILER COUPLER

(A)=EF227EH
(B)=EF230EH
(C)=EF233EH

(D)=EF235EH
(E)=
(F)=

REF.	LEV.	PARTS NO.	DESCRIPTION	Q'TY						I	R
				(A)	(B)	(C)	(D)	(E)	(F)		
1	1	194990-22150	NUT W/WASHER 10	1	1	1	1				
2	1	198163-52150	COUPLER SET,	1	1	1	1				
3	2	198163-52110	COUPLER ASSY,	1	1	1	1				
4	2	198163-52120	BOOT, COUPLER	1	1	1	1				
5	1	198280-57340	BRACKET, COUPLER	1	1	1	1				
6	1	26106-060122	BOLT M 6X 12 PLATED	1	1	1	1				
7	1	26557-050352	SCREW M 5X 35	3	3	3	3				
8	1	26716-050002	NUT M 5	3	3	3	3				

Fig.82. HOOD



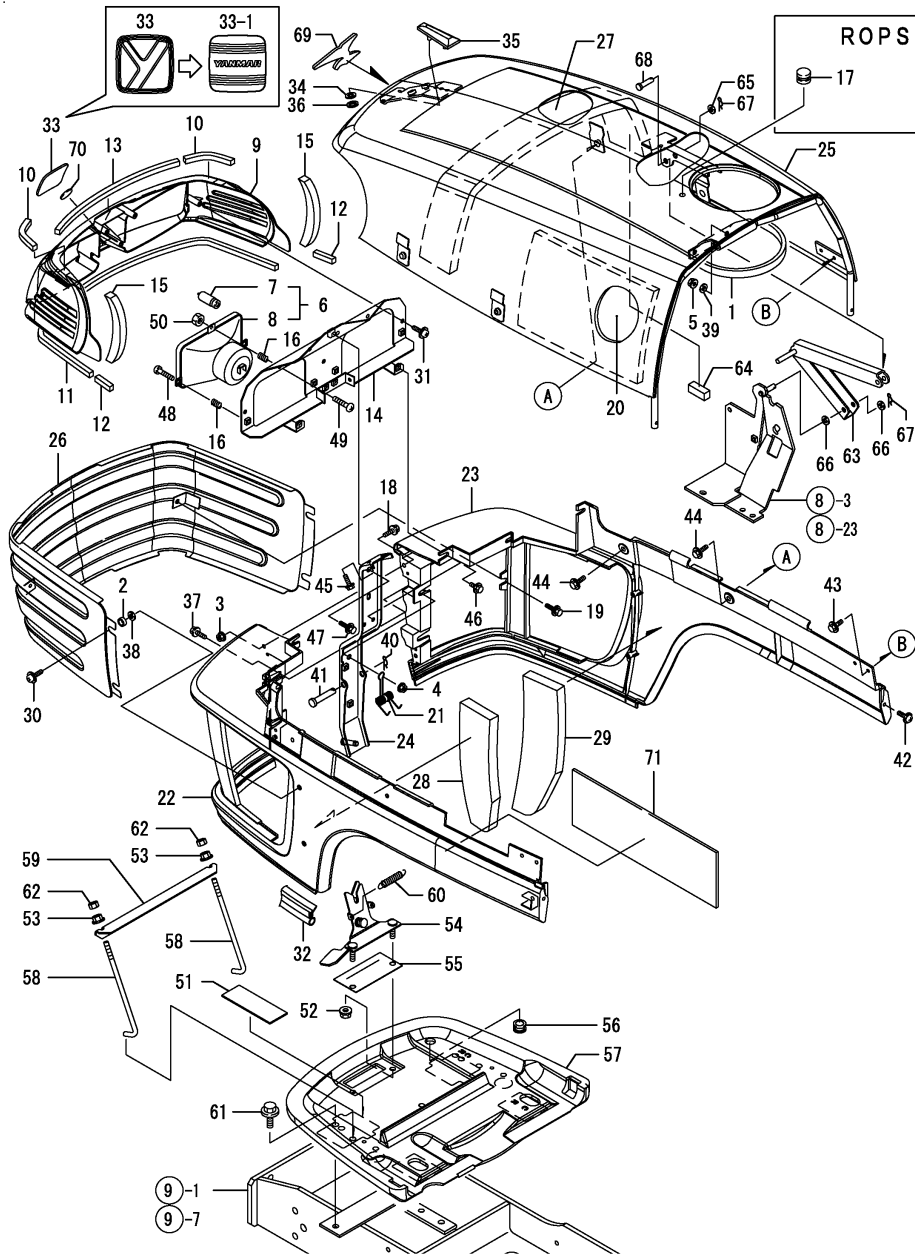
(A)=EF227EH
(B)=EF230EH
(C)=EF233EH

(D)=EF235EH
(E)=
(F)=

REF.	LEV.	PARTS NO.	DESCRIPTION	QTY						I	R
				(A)	(B)	(C)	(D)	(E)	(F)		
1	1	198200-04251	GASKET, DRIP PAN	1	1	1	1				
2	1	174501-07060	COLLAR 10X15X6	4	4	4	4				
3	1	194990-22130	NUT W/WASHER 6	2	2	2	2				
4	1	194990-22140	NUT W/WASHER 8	1	1	1	1				
5	1	194990-22140	NUT W/WASHER 8	2	2	2	2				
6	1	1A7100-53100	HEADLAMP CMP.	2	2	2	2				
7	2	1A7100-53130	BULB	2	2	2	2				
8	2	1A7100-53140	COVER	2	2	2	2				
9	1	198280-53150	COVER, HEAD LAMP	1	1	1	1				
10	1	198280-53170	SEAL, A COVER	2	2	2	2				
11	1	198280-53180	SEAL, B COVER	1	1	1	1				
12	1	198280-53190	SEAL, C COVER	2	2	2	2				
13	1	198200-53210	SEAL, HEAD LAMP	1	1	1	1				
14	1	198280-53210	BRACKET ASSY, LAMP	1	1	1	1				
15	1	198200-53230	SEAL, HEAD LAMP	2	2	2	2				
16	1	198327-53280	SPRING 1.2	6	6	6	6				
17	1	194197-56350	GROMMET	1	1	1	1				1
18	1	198461-60590	BOLT 6* 20	3	3	3	3				
19	1	198461-60590	BOLT 6* 20	2	2	2	2				
20	1	1A7260-60890	URETHANE, HOOD UPPER	1	1	1	1				
21	1	198200-60910	SPRING, HOOD	1	1	1	1				
22	1	198200-61152	HOOD, LOWER L	1	1	1	1				
23	1	198200-61162	HOOD, LOWER R	1	1	1	1				
24	1	198280-61210	STAY ASSY, FRONT	1	1	1	1				
25	1	198280-61260	HOOD M ASSY	1	1	1	1				
26	1	198200-61340	NET ASSY, HOOD	1	1	1	1				
27	1	198200-61410	URETHANE, HOOD UPPER	1	1	1	1				
28	1	198200-61420	URETHANE, HOOD LOWER	1	1	1	1				
29	1	198200-61430	URETHANE, HOOD LOWER	1	1	1	1				
30	1	194420-61640	SCREW M 5X 16	4	4	4	4				
31	1	194420-61640	SCREW M 5X 16	4	4	4	4				
32	1	198133-61950	RUBBER 950	1	1	1	1				
33	1	198421-65030	MARK 50, YANMAR	1	1	1	1				
33-1	1	198208-65250	LABEL, YANMAR 50	1	1	1	1				S
		(A=2006.5)	(B=2006.5)	(C=2006.5)	(D=2006.5)						
34	1	194555-65130	CUSHION	2	2	2	2				
35	1	194940-65590	MARK, TOP	1	1	1	1				
36	1	198071-65610	NUT M5, SPEED	2	2	2	2				
37	1	198093-82510	BOLT M8X25, COLLAR	1	1	1	1				
38	1	22137-060000	WASHER 6, POLISHED	4	4	4	4				
39	1	22137-080000	WASHER 8, POLISHED	2	2	2	2				
40	1	22372-100000	SNAP PIN 10	1	1	1	1				
41	1	22487-100500	PIN 10X 50	1	1	1	1				
42	1	26021-050122	SCREW M 5X 12	2	2	2	2				
43	1	26106-060082	BOLT M 6X 8 PLATED	2	2	2	2				
44	1	26106-060122	BOLT M 6X 12 PLATED	4	4	4	4				
45	1	26106-060122	BOLT M 6X 12 PLATED	2	2	2	2				
46	1	26106-060162	BOLT M 6X 16 PLATED	4	4	4	4				
47	1	26106-080162	BOLT M 8X 16 PLATED	1	1	1	1				
48	1	26557-060302	SCREW M 6X 30	4	4	4	4				
49	1	26587-040202	SCREW M 4X 20	2	2	2	2				

Remarks
(1) FOR TYPE ROPS

Fig.82. HOOD



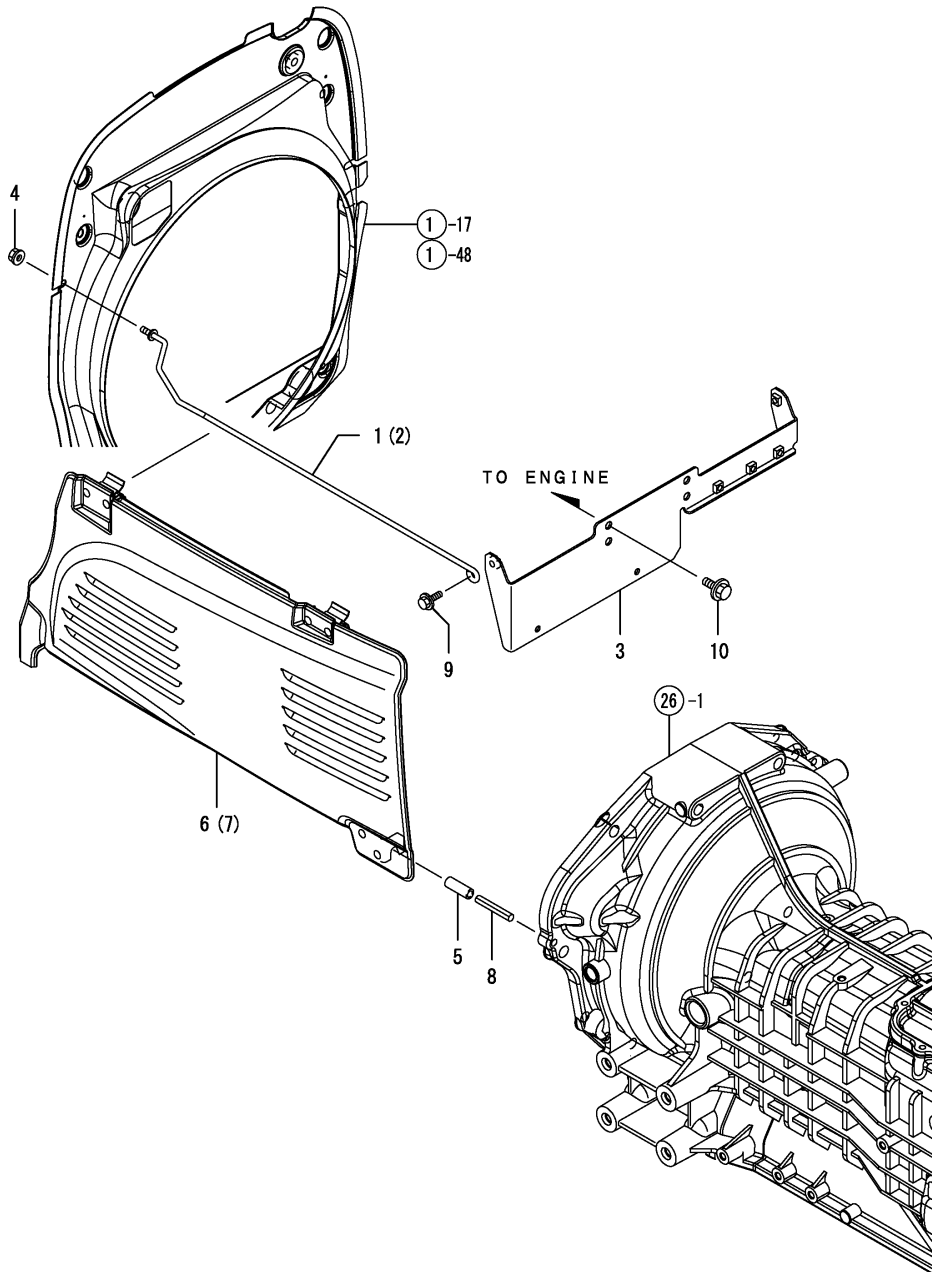
(A)=EF227EH
(B)=EF230EH
(C)=EF233EH

(D)=EF235EH
(E)=
(F)=

REF.	LEV.	PARTS NO.	DESCRIPTION	QTY						I	R
				(A)	(B)	(C)	(D)	(E)	(F)		
50	1	26716-040002	NUT M 4	2	2	2	2				
51	1	194151-04260	GASKET, RUBBER	2	2	2	2				
52	1	194990-22140	NUT W/WASHER 8	2	2	2	2				
53	1	194990-22140	NUT W/WASHER 8	2	2	2	2				
54	1	198200-61250	LOCK ASSY, HOOD	1	1	1	1				
55	1	198200-61320	SEAL, HOOD LOCK	1	1	1	1				
56	1	198200-61490	GROMMET, 8	1	1	1	1				
57	1	198280-61500	SUPPORT, BATTERY	1	1	1	1				
58	1	198200-61530	ROD, BATTERY CLAMP	2	2	2	2				
59	1	198200-61580	CLAMP, BATTERY	1	1	1	1				
60	1	198230-61960	SPRING	1	1	1	1				
61	1	26106-100302	BOLT M10X 30 PLATED	2	2	2	2				
62	1	26716-080002	NUT M 8	2	2	2	2				
63	1	198200-61400	STAND ASSY	1	1	1	1				
64	1	198200-61550	STOPPER, STAND	3	3	3	3				
65	1	22137-080000	WASHER 8, POLISHED	1	1	1	1				
65-1	1	22190-080000	SEAL WASHER 8(BOLT)	1	1	1	1				N
				(A=FXXXXXX)	(B=FXXXXXX)	(C=FXXXXXX)	(D=FXXXXXX)				
66	1	22190-080000	SEAL WASHER 8(BOLT)	2	2	2	2				
67	1	22372-080000	SNAP PIN (JASO 8)	2	2	2	2				
68	1	22487-080300	PIN 8X 30	1	1	1	1				
69	1	198200-65010	MARK, BRAN 63-R400	1	1	1	1				W
				(A=2006.5)	(B=2006.5)	(C=2006.5)	(D=2006.5)				
70	1	198208-65260	LABEL, PROTECTOR	1	1	1	1				W
				(A=2006.5)	(B=2006.5)	(C=2006.5)	(D=2006.5)				
71	1	198283-60100	URETHANE, HOOD LOWER	1	1	1	1				W
				(A=*2008.08.)	(B=*2008.08.)	(C=*2008.08.)	(D=*2008.08.)				

Remarks
(1) FOR TYPE ROPS

Fig.83. SIDE COVER



(A)=EF227EH
(B)=EF230EH
(C)=EF233EH

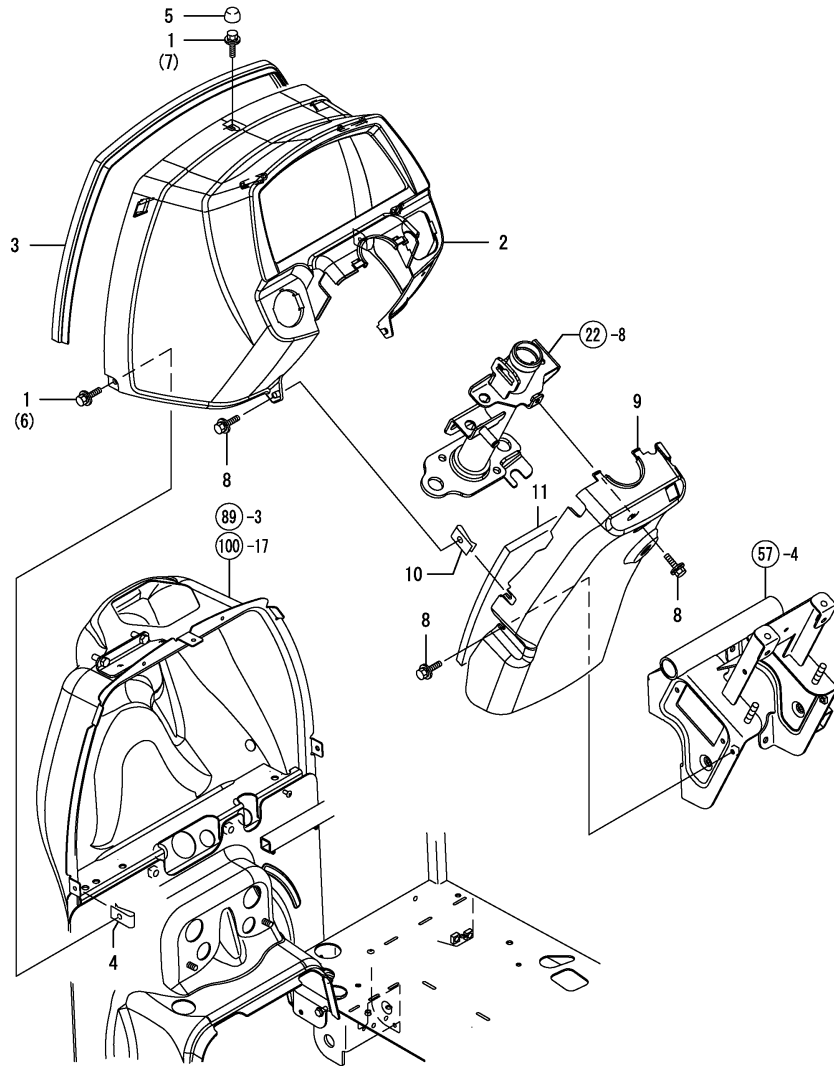
(D)=EF235EH
(E)=
(F)=

REF.	LEV.	PARTS NO.	DESCRIPTION	Q'TY						I	R
				(A)	(B)	(C)	(D)	(E)	(F)		
1	1	198200-01570	STAY ASSY, COVER L	1	1	1	1				
2	1	198200-01580	STAY ASSY, COVER R	1	1	1	1				
3	1	198200-01600	STAY ASSY, REAR	1	1	1	1				
4	1	194990-22130	NUT W/WASHER 6	2	2	2	2				
5	1	198200-60990	PIPE, GUARD	2	2	2	2				
6	1	198280-61000	COVER M ASSY, SIDE L	1	1	1	1				
7	1	198280-61010	COVER M ASSY, SIDE R	1	1	1	1				
8	1	22351-080050	SPRING PIN 8X50	2	2	2	2				
9	1	26106-060162	BOLT M 6X 16 PLATED	2	2	2	2				
10	1	26106-080122	BOLT M 8X 12 PLATED	2	2	2	2				

Fig.84. DASHBOARD

(A)=EF227EH
(B)=EF230EH
(C)=EF233EH

(D)=EF235EH
(E)=
(F)=



REF.	LEV.	PARTS NO.	DESCRIPTION	QTY						I	R
				(A)	(B)	(C)	(D)	(E)	(F)		
1	1	198072-60590	BOLT M6X20	3	3	3	3				1
2	1	198280-61600	COVER, DUSHBOARD	1	1	1	1				
3	1	198200-61620	TRIM, 920	1	1	1	1				1
3-1	1	1A8115-61620	WEATER STORIP,920	1	1	1	1				N 1
		(A=*2009.02.) (B=*2009.02.) (C=*2009.02.) (D=*2009.02.)									
4	1	198071-61890	NUT 6,SPEED	3	3	3	3				
5	1	198200-63620	CAP, BOLT	1	1	1	1				
6	1	198072-60590	BOLT M6X20	2	2	2	2				2
7	1	26589-060162	SCREW M6,BINDING	1	1	1	1				2
8	1	198461-60590	BOLT 6* 20	5	5	5	5				
9	1	198200-61670	COVER, COLUMN R	1	1	1	1				
10	1	198071-61890	NUT 6,SPEED	2	2	2	2				
11	1	198208-84590	SEAT, COLUMN COVER	1	1	1	1				2

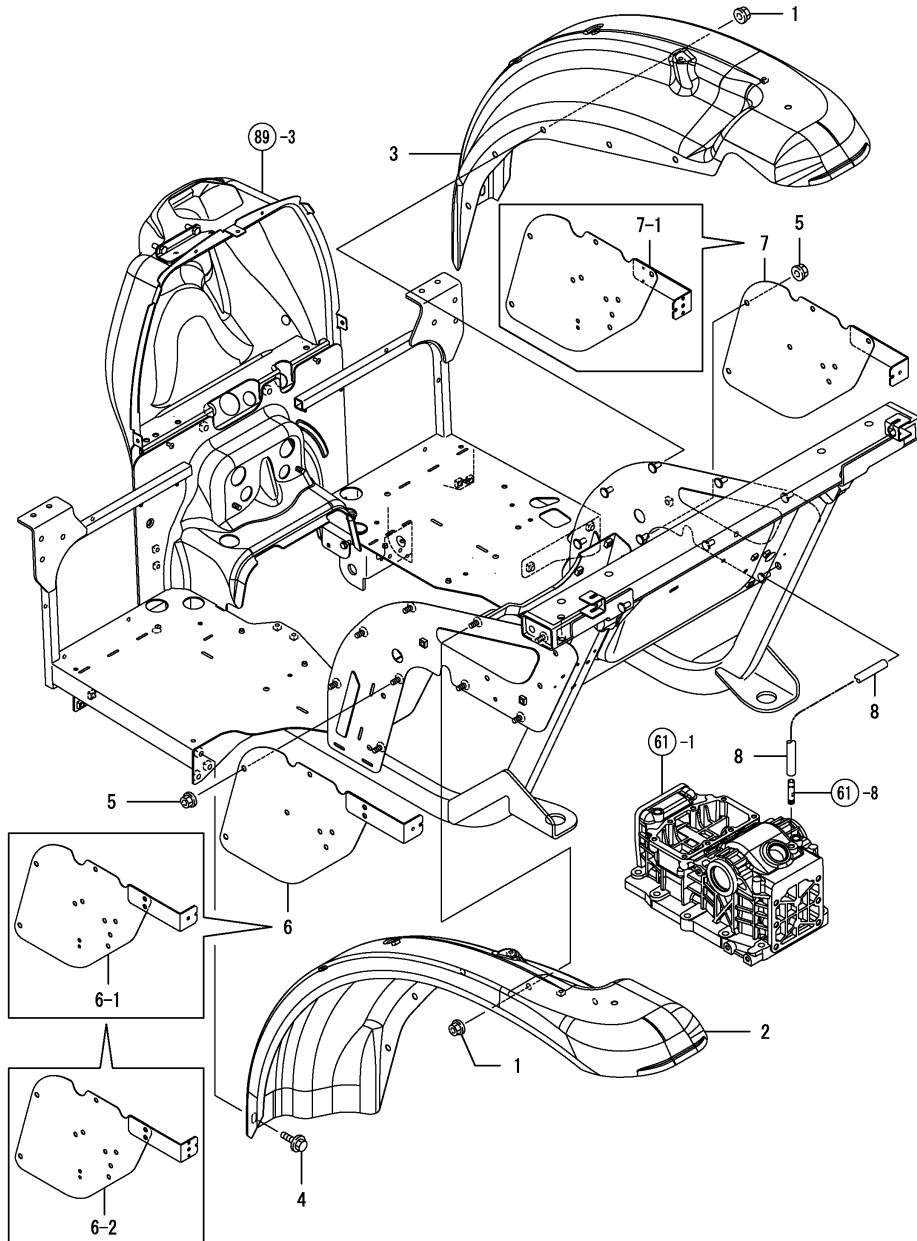
Remarks

- (1) FOR TYPE ROPS
- (2) FOR TYPE CABIN

Fig.85. FENDER

(A)=EF227EH
(B)=EF230EH
(C)=EF233EH

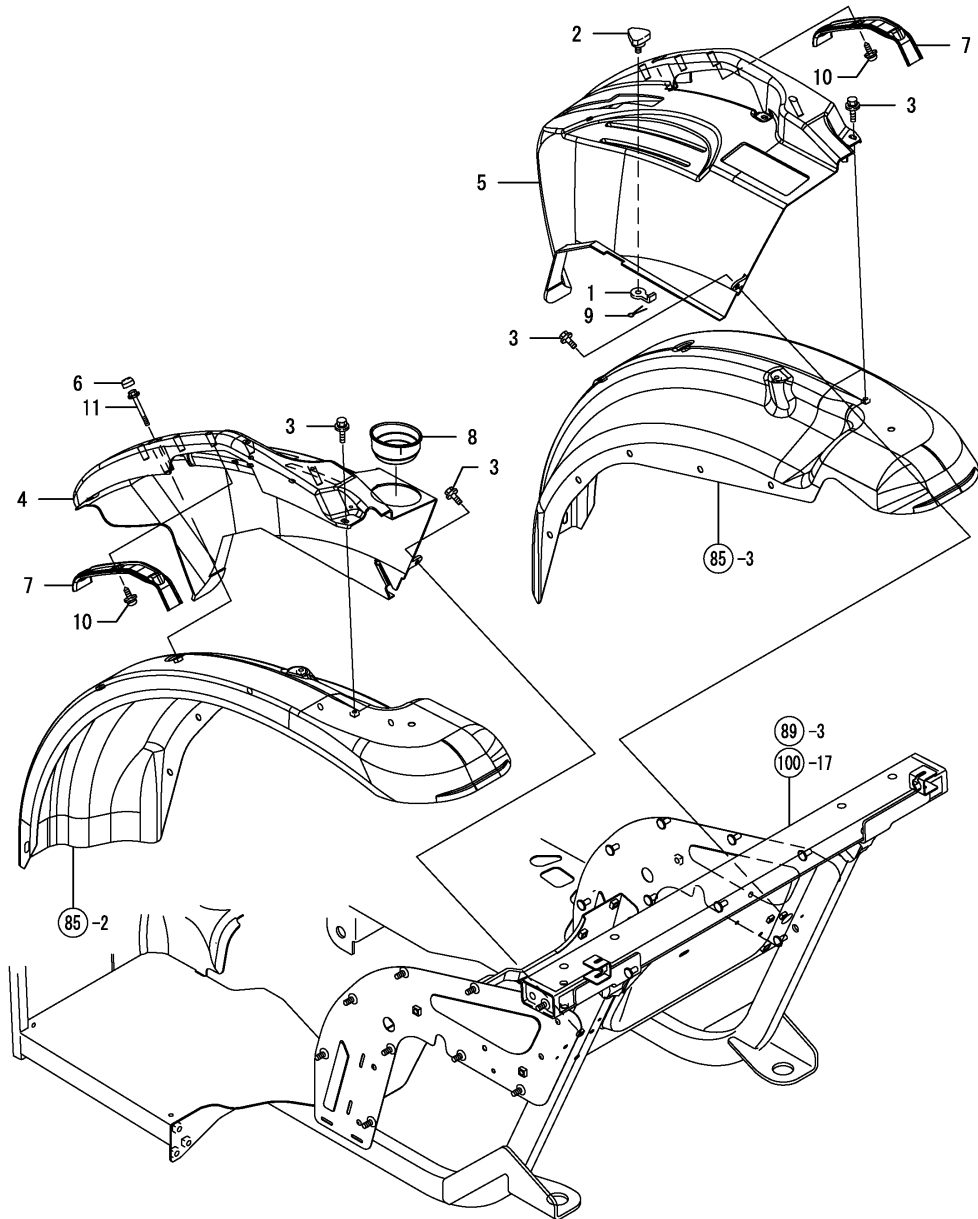
(D)=EF235EH
(E)=
(F)=



REF.	LEV.	PARTS NO.	DESCRIPTION	QTY						I	R
				(A)	(B)	(C)	(D)	(E)	(F)		
1	1	194990-22140	NUT W/WASHER 8	10	10	10	10				1
2	1	198200-62100	FENDER ASSY L	1	1	1	1				1
3	1	198200-62110	FENDER ASSY, R	1	1	1	1				1
4	1	26106-080162	BOLT M 8X 16 PLATED	2	2	2	2				1
5	1	194990-22140	NUT W/WASHER 8	8	8	8	8				
6	1	198280-62210	COVER, L LOWER	1	1	1	1				
6-1	1	198280-62211	COVER, L LOWER	1	1	1	1				S
		(A=FZZZZZ)	(B=FZZZZZ)	(C=FZZZZZ)	(D=FZZZZZ)						
6-2	1	198280-62212	COVER, L LOWER	1	1	1	1				S
		(A=FZZZZZ)	(B=FZZZZZ)	(C=FZZZZZ)	(D=FZZZZZ)						
7	1	198280-62220	COVER, R LOWER	1	1	1	1				
7-1	1	198280-62221	COVER, R LOWER	1	1	1	1				S
		(A=FZZZZZ)	(B=FZZZZZ)	(C=FZZZZZ)	(D=FZZZZZ)						
8	1	198121-63560	PIPE,AIR-BREATHER320	1	1	1	1				

Remarks
(1) FOR TYPE ROPS

Fig.86. LEVER GUIDE



(A)=EF227EH
(B)=EF230EH
(C)=EF233EH

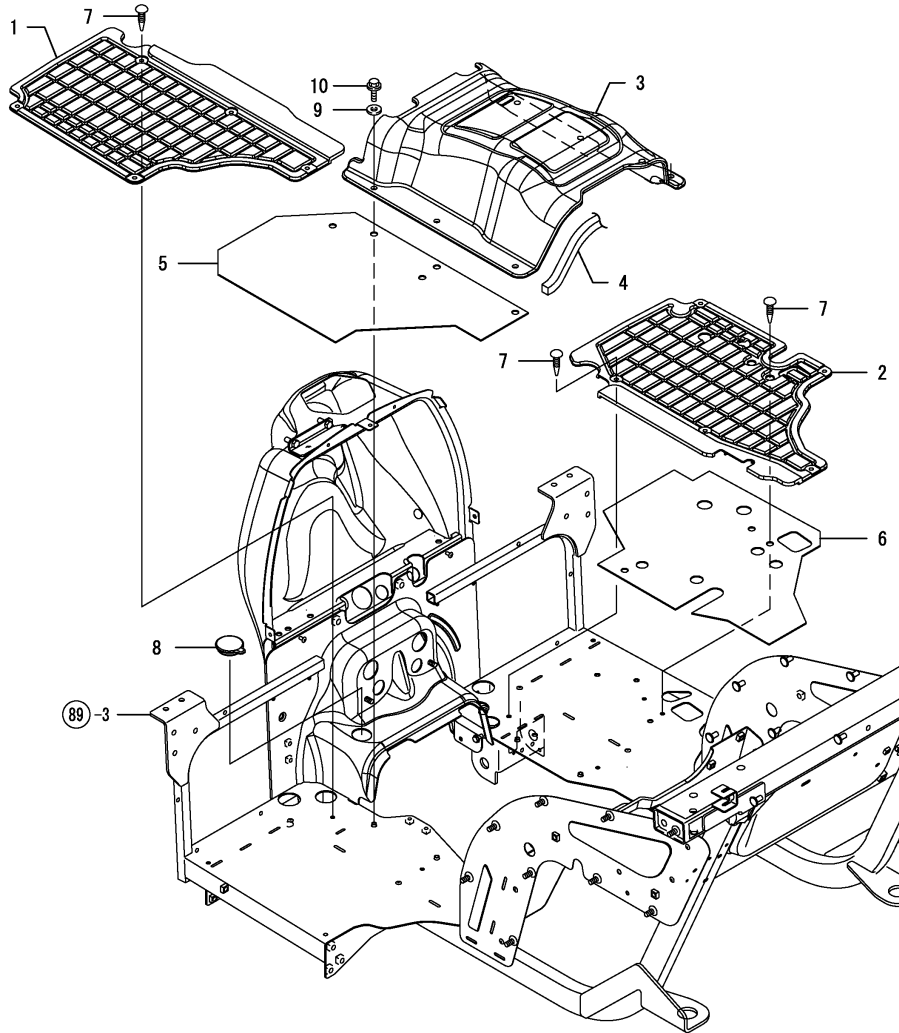
(D)=EF235EH
(E)=
(F)=

REF.	LEV.	PARTS NO.	DESCRIPTION	Q'TY						I	R
				(A)	(B)	(C)	(D)	(E)	(F)		
1	1	198121-47110	STOPPER,POS.LEVER	1	1	1	1				
2	1	194130-47851	KNOB	1	1	1	1				
3	1	198461-60590	BOLT 6* 20	8	8	8	8				
4	1	198280-63500	GUIDE, LEVER L.H.	1	1	1	1				
5	1	198280-63600	GUIDE, LEVER R.H.	1	1	1	1				
6	1	198200-63620	CAP, BOLT	2	2	2	2				
7	1	198200-63640	COVER, GRIP	2	2	2	2				
8	1	198200-63660	HOLDER, CUP	1	1	1	1				
9	1	22417-200200	COTTER PIN 2.0X20	1	1	1	1				
10	1	22857-600160	SCREW 6X16,TAPPING	6	6	6	6				
11	1	26106-060552	BOLT M 6X 55 PLATED	2	2	2	2				

Fig.87. FLOOR COVER

(A)=EF227EH
(B)=EF230EH
(C)=EF233EH

(D)=EF235EH
(E)=
(F)=



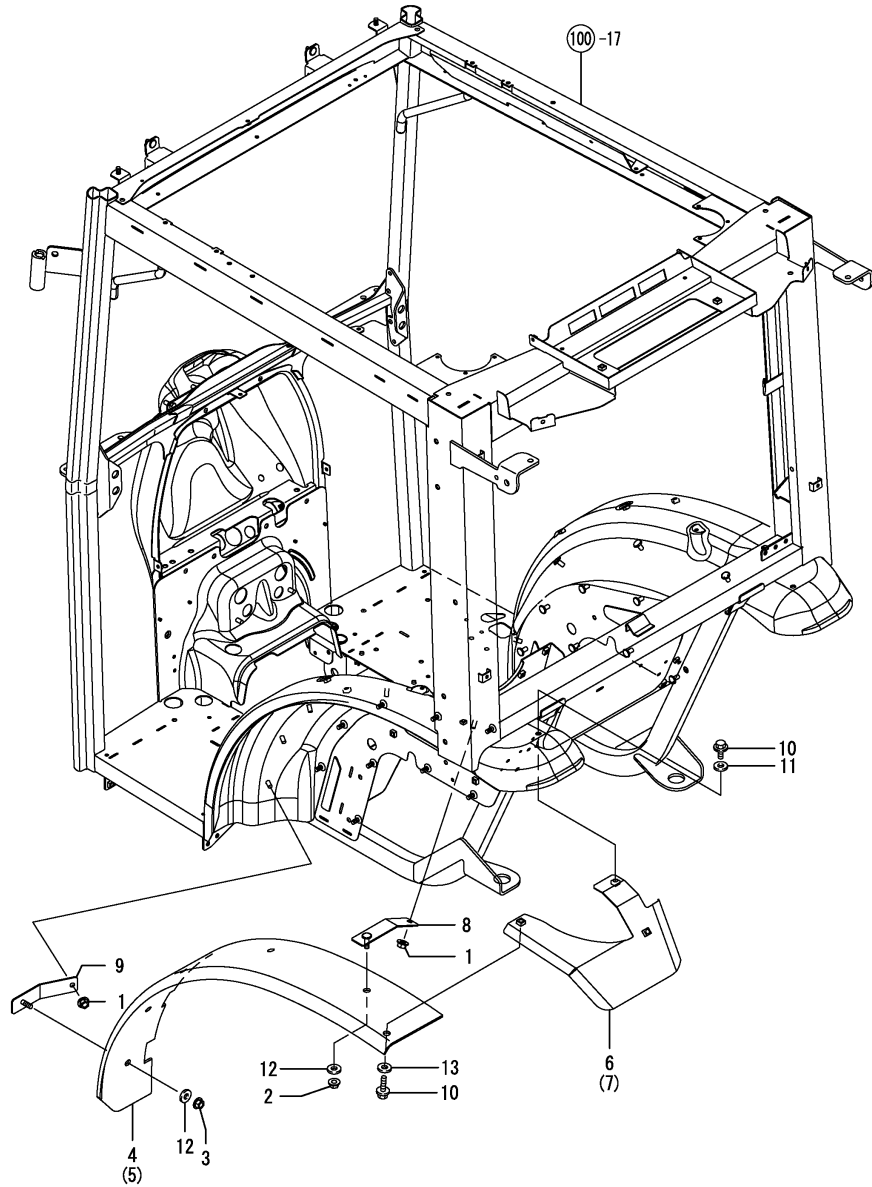
REF.	LEV.	PARTS NO.	DESCRIPTION	Q'TY						I	R
				(A)	(B)	(C)	(D)	(E)	(F)		
1	1	198200-62320	MAT, FLOOR L.H.	1	1	1	1				
2	1	198280-62330	MAT, FLOOR R.H.	1	1	1	1				
3	1	198280-62350	COVER, FLOOR	1	1	1	1				
4	1	198280-62360	SEAL, A FLOOR	2	2	2	2				
5	1	198287-62360	DAMPING, STEP L	1	1	1	1				1
6	1	198287-62370	DAMPING, STEP R	1	1	1	1				1
7	1	194697-62560	CAP, HOLE	12	12	12	12				
8	1	198094-85710	GROMMET 38	1	1	1	1				
9	1	22157-060000	WASHER 6	6	6	6	6				
10	1	26106-060122	BOLT M 6X 12 PLATED	6	6	6	6				

Remarks
(1) FOR TYPE ROPS

Fig.88. OVER FENDER

(A)=EF227EH
(B)=EF230EH
(C)=EF233EH

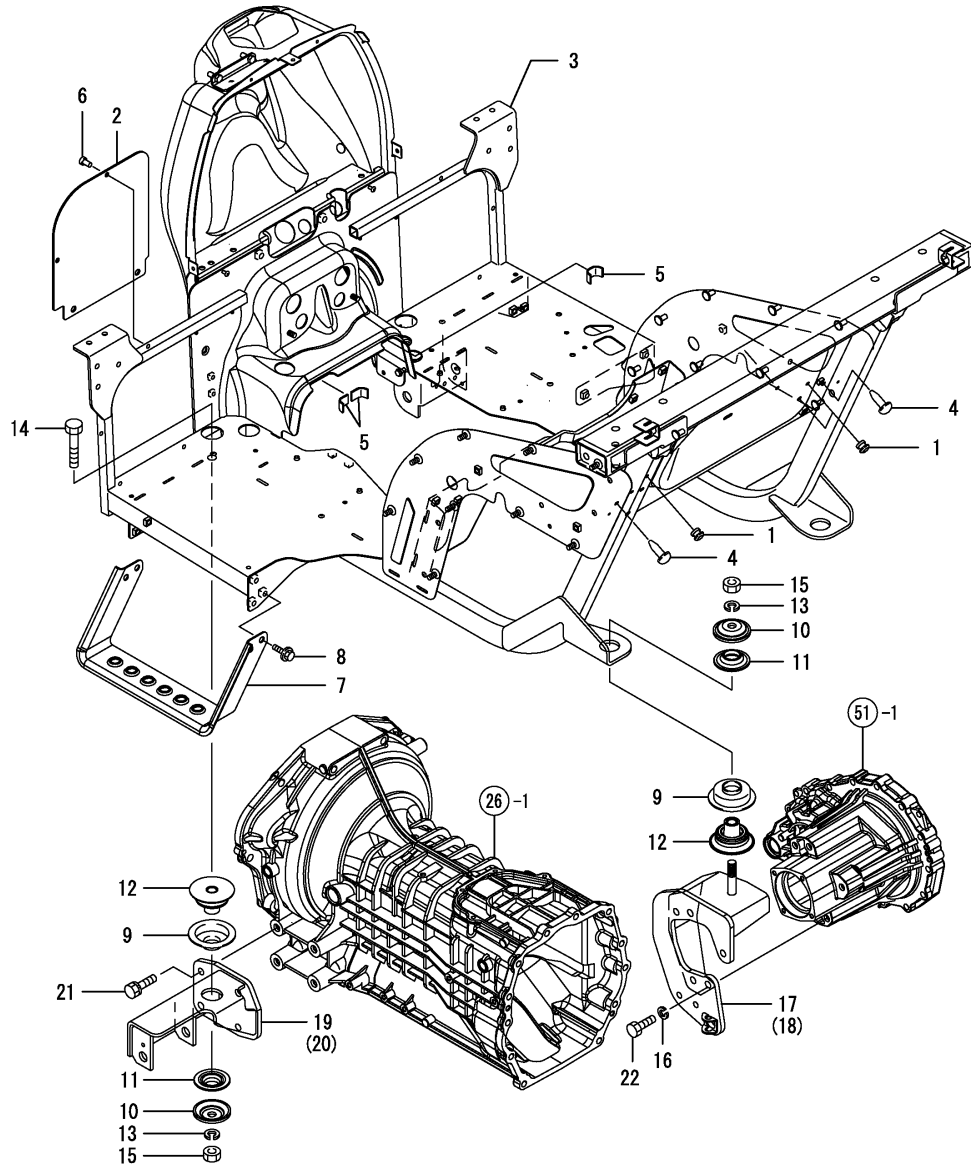
(D)=EF235EH
(E)=
(F)=



REF.	LEV.	PARTS NO.	DESCRIPTION	QTY						I	R
				(A)	(B)	(C)	(D)	(E)	(F)		
1	1	194990-22140	NUT W/WASHER 8	10	10	10	10				
2	1	194990-22140	NUT W/WASHER 8	2	2	2	2				
3	1	194990-22140	NUT W/WASHER 8	8	8	8	8				
4	1	198287-62210	FENDER, OVER L	1	1	1	1				
5	1	198287-62220	FENDER, OVER R	1	1	1	1				
6	1	198287-62230	FENDER, REAR L	1	1	1	1				
7	1	198287-62240	FENDER, REAR R	1	1	1	1				
8	1	198208-62270	STAY, B OVER FENDER	2	2	2	2				
9	1	198208-62290	STAY, B OVER FENDER	8	8	8	8				
10	1	198460-83350	BOLT M8X16,BC COLLAR	6	6	6	6				
11	1	198255-83550	WASHER 8,BC,PLAIN	2	2	2	2				
12	1	22157-080000	WASHER 8	10	10	10	10				
13	1	22157-080000	WASHER 8	2	2	2	2				

Remarks
* FIGURE FOR TYPE CABIN

Fig.89. FLOOR



(A)=EF227EH
(B)=EF230EH
(C)=EF233EH

(D)=EF235EH
(E)=
(F)=

REF.	LEV.	PARTS NO.	DESCRIPTION	Q'TY						I	R
				(A)	(B)	(C)	(D)	(E)	(F)		
1	1	1C6053-26020	CAP, RUBBER	3	3	3	3				
2	1	198200-62300	GUARD, DUST FOOT	2	2	2	2				
3	1	198280-62490	FLOOR M ASSY	1	1	1	1				
4	1	1E6760-74150	CAP 8,HOLE	2	2	2	2				
5	1	198093-84810	SEAL,FENDER	3	3	3	3				
6	1	197810-84840	RIVET	2	2	2	2				
7	1	198200-62560	SUB-STEP,	1	1	1	1				
8	1	26106-080162	BOLT M 8X 16 PLATED	4	4	4	4				
9	1	198071-62900	STOPPER,MOUNT	4	4	4	4				
10	1	198200-62910	STOPPER, U	4	4	4	4				
11	1	198200-62970	MOUNT, UPPER	4	4	4	4				
12	1	198200-62990	MOUNT, LOWER	4	4	4	4				
13	1	22217-140000	SPRING WASHER 14	4	4	4	4				
14	1	26116-140752	BOLT M14X 75 PLATED	2	2	2	2				
15	1	26716-140002	NUT M14	4	4	4	4				
16	1	194274-13580	SPRING WASHER 12	10	10	10	10				
17	1	198280-62630	MOUNT ASSY, REAR L	1	1	1	1				
18	1	198280-62640	MOUNT ASSY, REAR R	1	1	1	1				
19	1	198280-62850	MOUNT ASSY, FRONT L	1	1	1	1				
20	1	198280-62860	MOUNT ASSY, FRONT R	1	1	1	1				
21	1	26013-120402	BOLT M12X 40	8	8	8	8				
22	1	26116-120402	BOLT M12X 40	10	10	10	10				

Fig.90. OPERATOR SEAT

(A)=EF227EH
 (B)=EF230EH
 (C)=EF233EH

(D)=EF235EH
 (E)=
 (F)=

REF.	LEV.	PARTS NO.	DESCRIPTION	Q'TY						I	R
				(A)	(B)	(C)	(D)	(E)	(F)		
1	1	198280-62910	COVER ASSY,DUST B	1	1	1	1				
2	1	198280-63110	SEAT ASSY,	1	1	1	1				
3	1	26106-080122	BOLT M 8X 12 PLATED	6	6	6	6				
4	1	26106-080162	BOLT M 8X 16 PLATED	4	4	4	4				

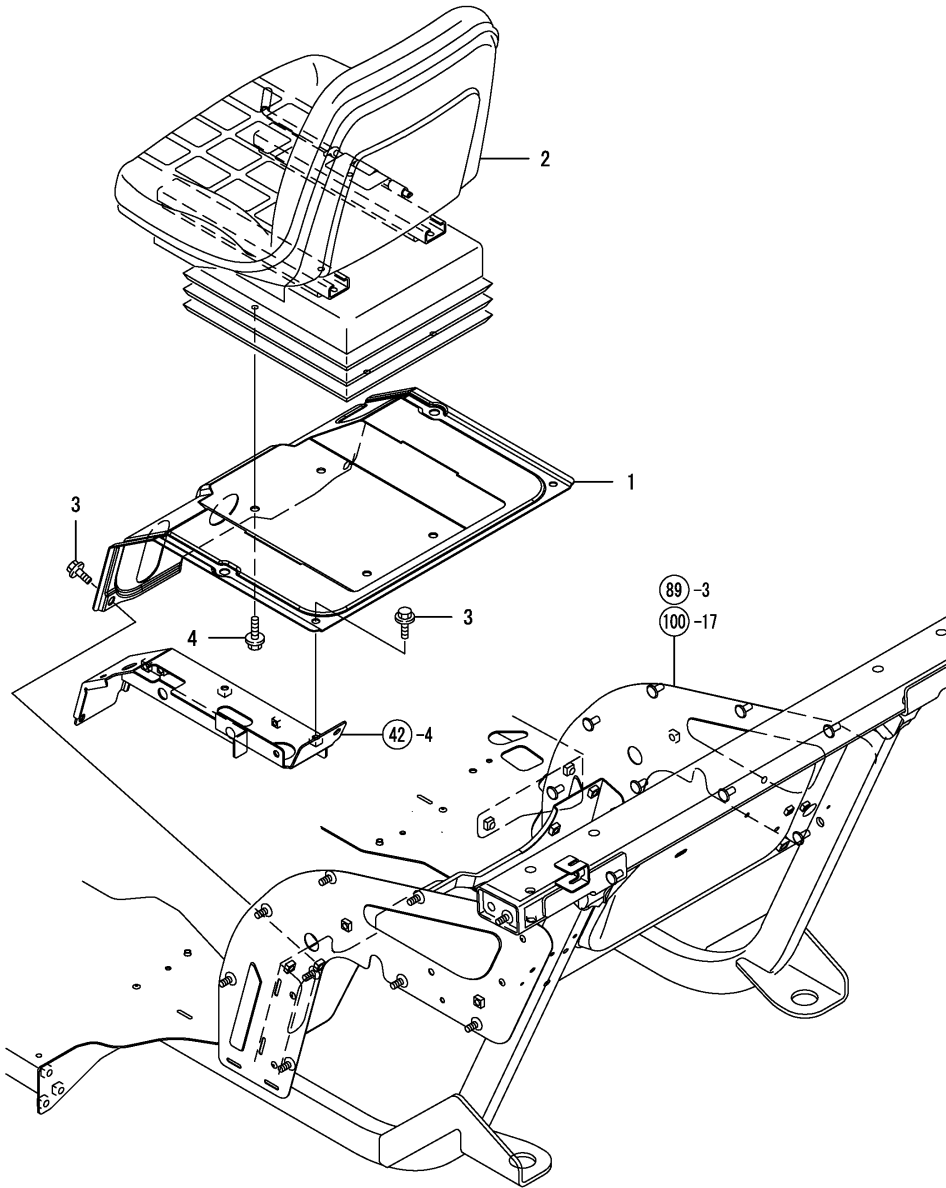
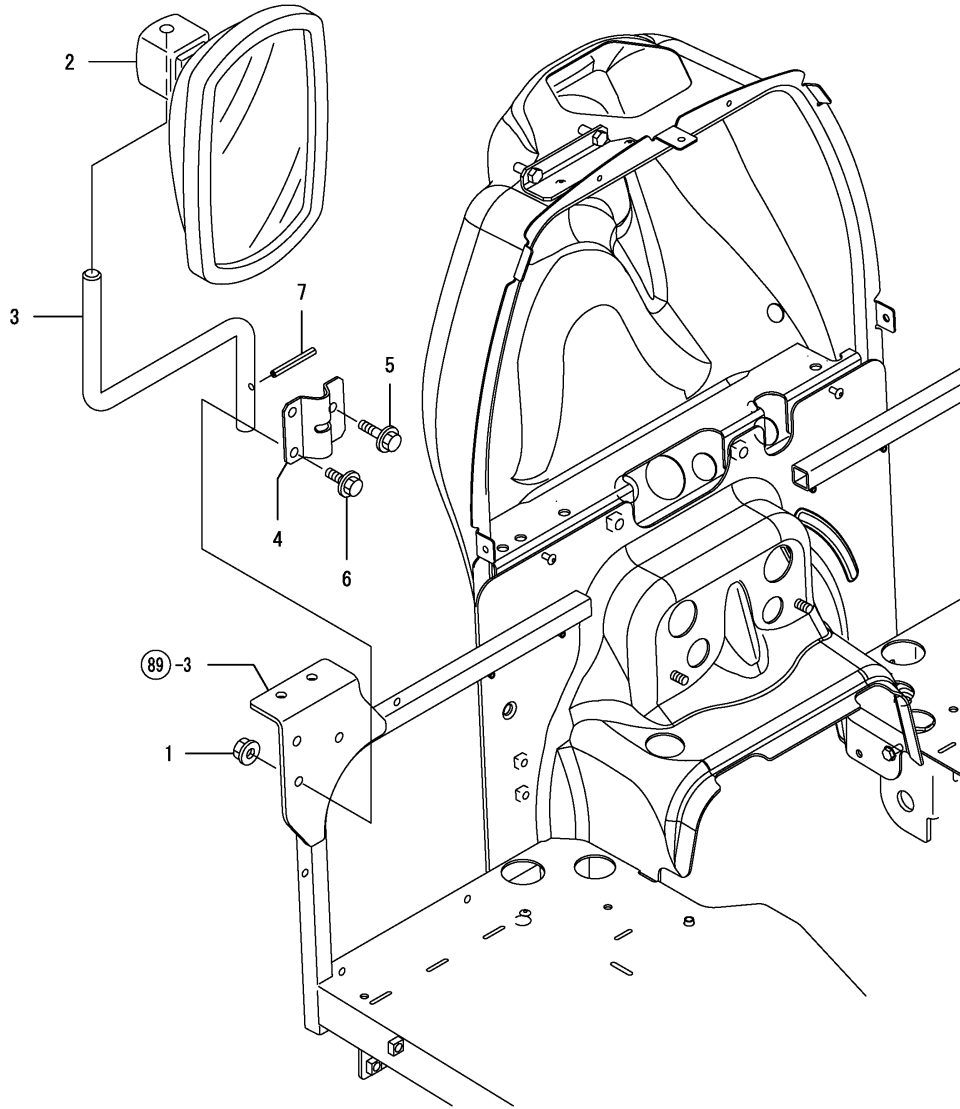


Fig.91. BACK MIRROR

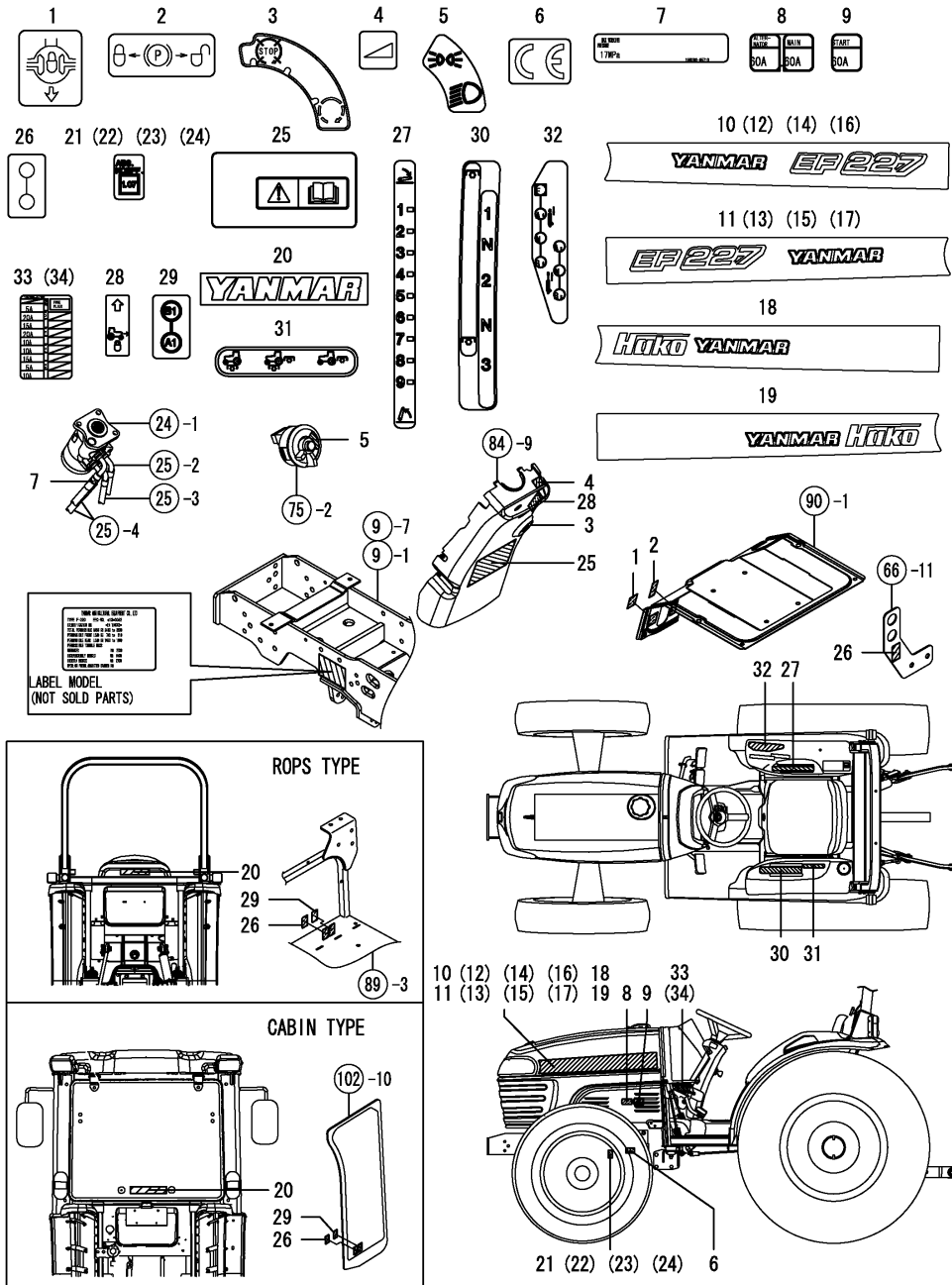
(A)=EF227EH
(B)=EF230EH
(C)=EF233EH

(D)=EF235EH
(E)=
(F)=



REF.	LEV.	PARTS NO.	DESCRIPTION	QTY						I	R
				(A)	(B)	(C)	(D)	(E)	(F)		
1	1	194990-22140	NUT W/WASHER 8	1	1	1	1				
2	1	1A7100-64110	MIRROR ASSY	1	1	1	1				
3	1	198280-64120	SHAFT, MIRROR	1	1	1	1				
4	1	198280-64150	STAY, MIRROR	1	1	1	1				
5	1	198093-82510	BOLT M8X25,COLLAR	1	1	1	1				
6	1	198460-83350	BOLT M8X16,BC COLLAR	2	2	2	2				
7	1	22351-060032	SPRING PIN 6X32	1	1	1	1				

Fig.92. LABELS

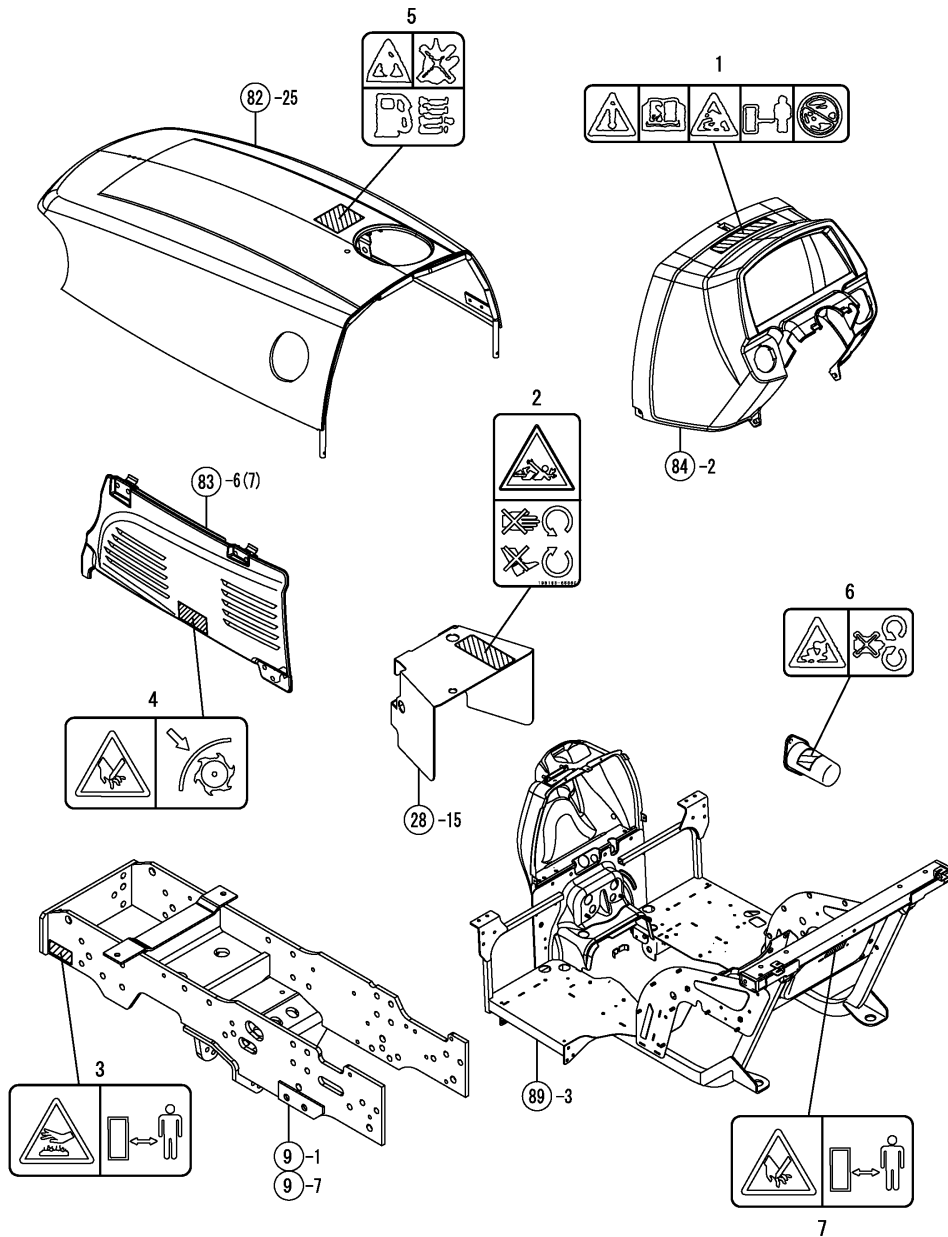


(A)=EF227EH
(B)=EF230EH
(C)=EF233EH

(D)=EF235EH
(E)=
(F)=

REF.	LEV.	PARTS NO.	DESCRIPTION	QTY						I	R
				(A)	(B)	(C)	(D)	(E)	(F)		
1	1	194240-65441	LABEL, DIFF. LOCK	1	1	1	1				
2	1	198036-65470	LABEL, BRAKE LOCK	1	1	1	1				
3	1	1A6640-65510	LABEL,KEY SWITCH	1	1	1	1				
4	1	1A6640-65530	LABEL,THROTTLE	1	1	1	1				
5	1	198280-65580	LABEL,	1	1	1	1				
6	1	198165-65590	DECAL,CE	1	1	1	1				
7	1	198280-65710	LABEL, H.P. HOSE	4	4	4	4				
8	1	198280-65770	LABEL,	1	1	1	1				
9	1	198280-65790	LABEL,	1	1	1	1				
10	1	198280-65110	LABEL, NAME	1							
11	1	198280-65120	LABEL, NAME	1							
12	1	198282-65110	LABEL, NAME		1						
13	1	198282-65120	LABEL, NAME		1						
14	1	198284-65110	LABEL, NAME			1					
15	1	198284-65120	LABEL, NAME			1					
16	1	198287-65110	LABEL, NAME					1			
17	1	198287-65120	LABEL, NAME					1			
18	1	198280-65160	LABEL, NAME HAKO L	1	1	1	1				
19	1	198280-65170	LABEL, NAME HAKO R	1	1	1	1				
20	1	198208-65890	LABEL, ROOF	1	1	1	1				
21	1	198280-65570	LABEL,	1							
22	1	198282-65570	LABEL,		1						
23	1	198284-65570	LABEL,			1					
24	1	198287-65570	LABEL,					1			
25	1	198280-65300	LABEL,OPERATION G	1	1	1	1				
26	1	1A6641-65470	LABEL, SCV REAR	2	2	2	2				
27	1	198280-65510	LABEL, POSITION	1	1	1	1				
28	1	198280-65630	LABEL,	1	1	1	1				
29	1	198280-65640	LABEL,SCV COUPLER	1	1	1	1				
30	1	198280-65660	LABEL, RANGE-PTO	1	1	1	1				
31	1	198280-65670	LABEL, MBR	1	1	1	1				
32	1	198280-65680	LABEL,	1	1	1	1				
33	1	198280-65780	LABEL,	1	1	1	1				
34	1	198287-65780	LABEL,	1	1	1	1				

Fig.93. LABELS(SAFETY)



0CNP4-G32200 93. LABELS(SAFETY)

(A)=EF227EH
(B)=EF230EH
(C)=EF233EH

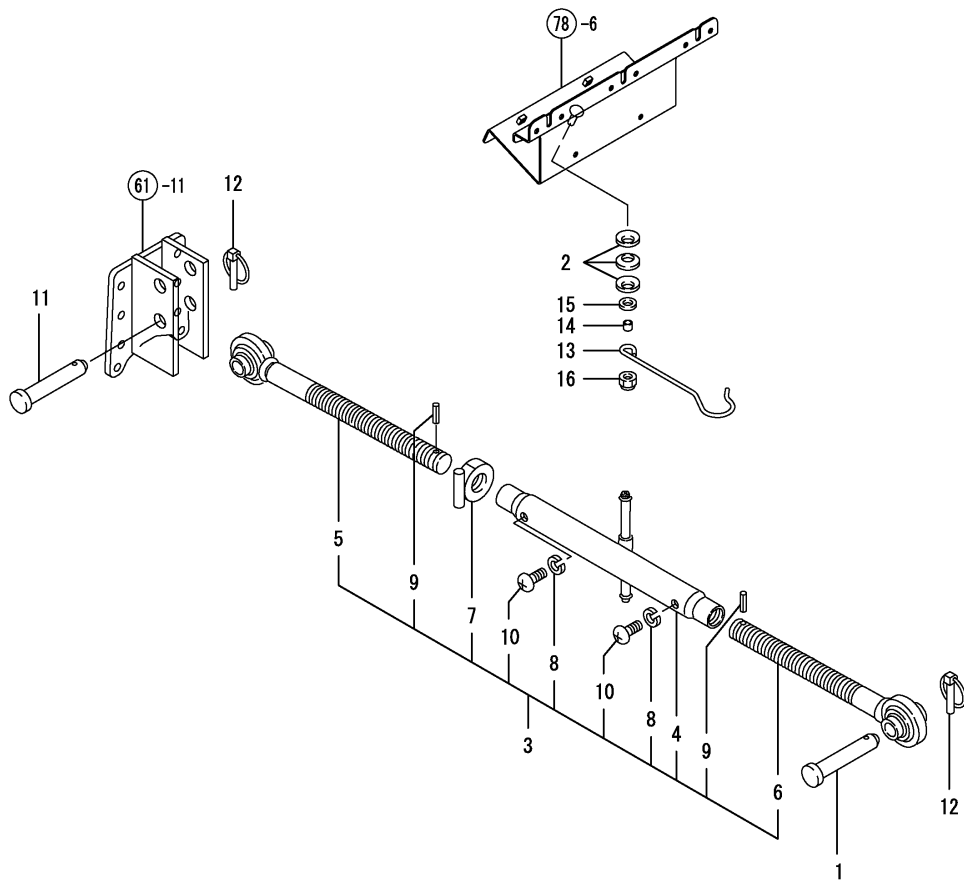
(D)=EF235EH
(E)=
(F)=

REF.	LEV.	PARTS NO.	DESCRIPTION	QTY						I	R
				(A)	(B)	(C)	(D)	(E)	(F)		
1	1	198163-65310	LABEL, SAFETY	1	1	1	1				
2	1	198163-65350	DANGER, ROTAT. SHAFT	1	1	1	1				
3	1	198163-65930	CAUTION, MUFFLER	1	1	1	1				
4	1	198163-65940	CAUTION, SAFETY COVER	2	2	2	2				
5	1	1A6150-91251	LABEL, RAKE CAUTION	1	1	1	1				
6	1	1A6150-93151	LABEL, COVER	1	1	1	1				
7	1	198280-65610	LABEL, 3P	1	1	1	1				

Fig.94. TOP LINK

(A)=EF227EH
(B)=EF230EH
(C)=EF233EH

(D)=EF235EH
(E)=
(F)=

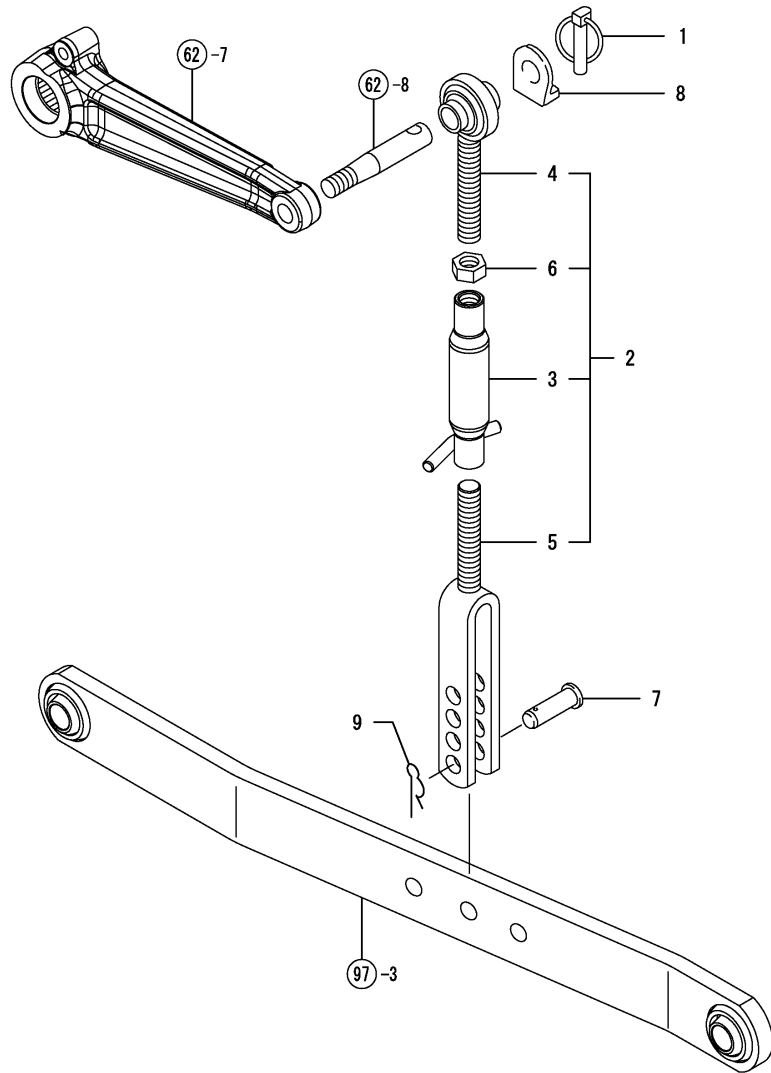


REF.	LEV.	PARTS NO.	DESCRIPTION	Q'TY						I	R
				(A)	(B)	(C)	(D)	(E)	(F)		
1	1	195080-15060	PIN, HITCH	1	1	1	1				
2	1	198072-18320	SPRING 12	3	3	3	3				
3	1	198220-71100	LINK ASSY, TOP	1	1	1	1				
4	2	194275-71500	BODY, TOP LINK	1	1	1	1				
5	2	194145-71600	LINK (R), TOP	1	1	1	1				
6	2	194145-71700	LINK (L), TOP	1	1	1	1				
7	2	198092-71750	NUT 24, CMP	1	1	1	1				
8	2	22217-060000	SPRING WASHER 6	2	2	2	2				
9	2	22351-040024	SPRING PIN 4X24	2	2	2	2				
10	2	26557-060062	SCREW M 6X 6	2	2	2	2				
11	1	194150-71230	PIN, TOP LINK	1	1	1	1				
12	1	198220-71410	PIN ASSY, LOCK	2	2	2	2				
13	1	198280-71710	HOOK, TOP LINK	1	1	1	1				
14	1	198092-71720	COLLAR, 8.1X10.5X9.3	1	1	1	1				
15	1	22137-080000	WASHER 8, POLISHED	1	1	1	1				
16	1	26346-080002	U-NUT M 8 PLATED	1	1	1	1				

Fig.95. LIFT LINK R

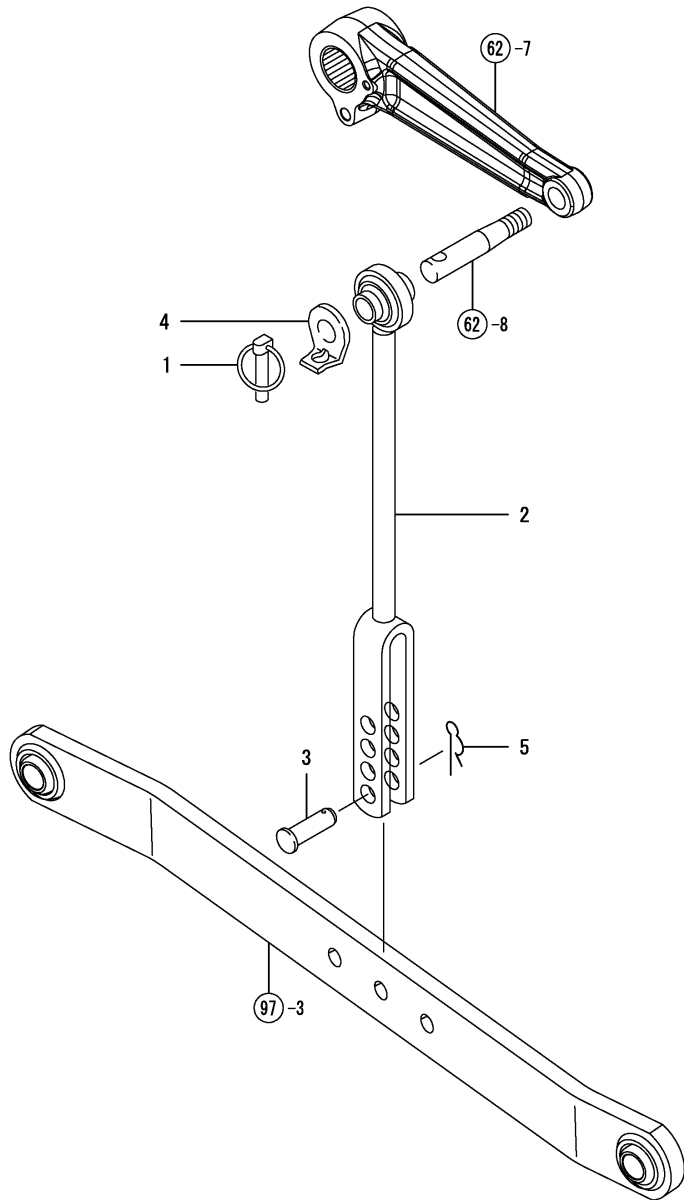
(A)=EF227EH
(B)=EF230EH
(C)=EF233EH

(D)=EF235EH
(E)=
(F)=



REF.	LEV.	PARTS NO.	DESCRIPTION	Q'TY						I	R
				(A)	(B)	(C)	(D)	(E)	(F)		
1	1	194130-71410	PIN ASSY,BALL SOCKET	1	1	1	1				
2	1	198200-72101	LINK KIT, LIFT R	1	1	1	1				
3	2	198200-72210	TURNBUCKLE,LIFT LINK	1	1	1	1				
4	2	198200-72250	BOLT ASSY, EYE	1	1	1	1				
5	2	198200-72451	YOKE, LIFT LINK	1	1	1	1				
6	2	26777-180002	LOCK NUT M18	1	1	1	1				
7	1	194150-72460	PIN, LIFT YOKE	1	1	1	1				
8	1	198071-74970	COLLAR,BALL & SOCKET	1	1	1	1				
9	1	22372-160000	SNAP PIN 16	1	1	1	1				

Fig.96. LIFT LINK



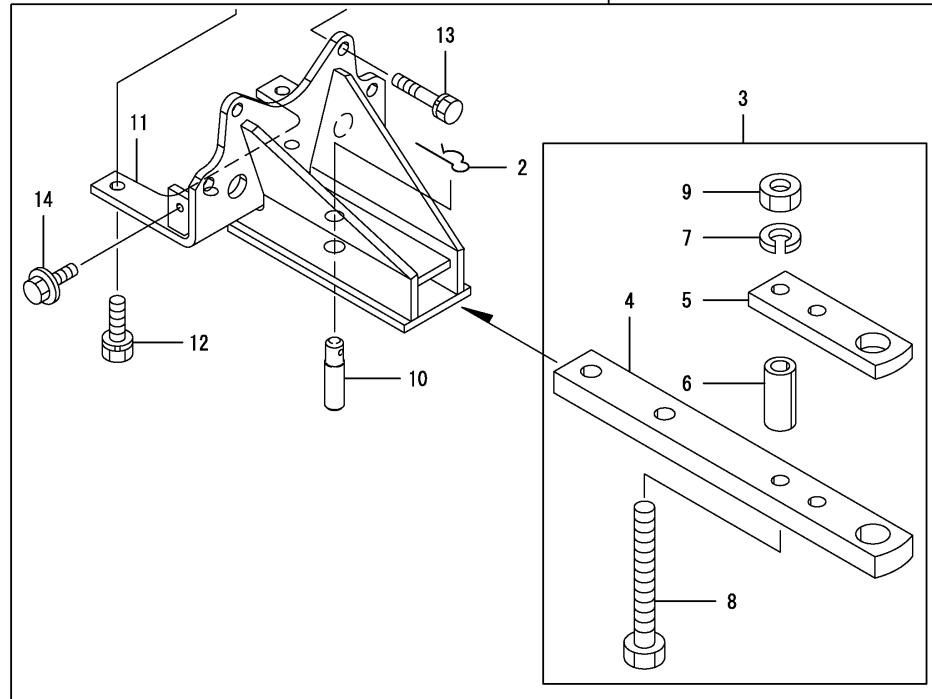
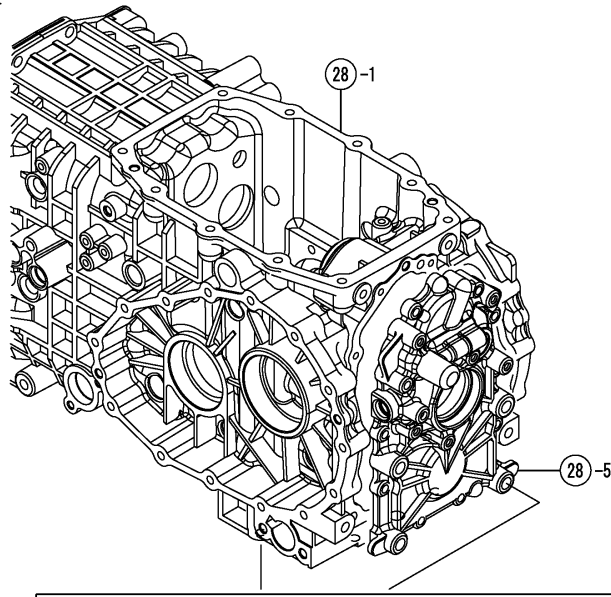
0CNP4-G32200 96. LIFT LINK

(A)=EF227EH
(B)=EF230EH
(C)=EF233EH

(D)=EF235EH
(E)=
(F)=

REF.	LEV.	PARTS NO.	DESCRIPTION	Q'TY						I	R
				(A)	(B)	(C)	(D)	(E)	(F)		
1	1	194130-71410	PIN ASSY,BALL SOCKET	1	1	1	1				
2	1	198200-72300	LINK ASSY, LIFT L.H.	1	1	1	1				
3	1	194150-72460	PIN, LIFT YOKE	1	1	1	1				
4	1	198071-74970	COLLAR,BALL & SOCKET	1	1	1	1				
5	1	22372-160000	SNAP PIN 16	1	1	1	1				

Fig.98. DRAWBAR HITCH



(A)=EF227EH
(B)=EF230EH
(C)=EF233EH

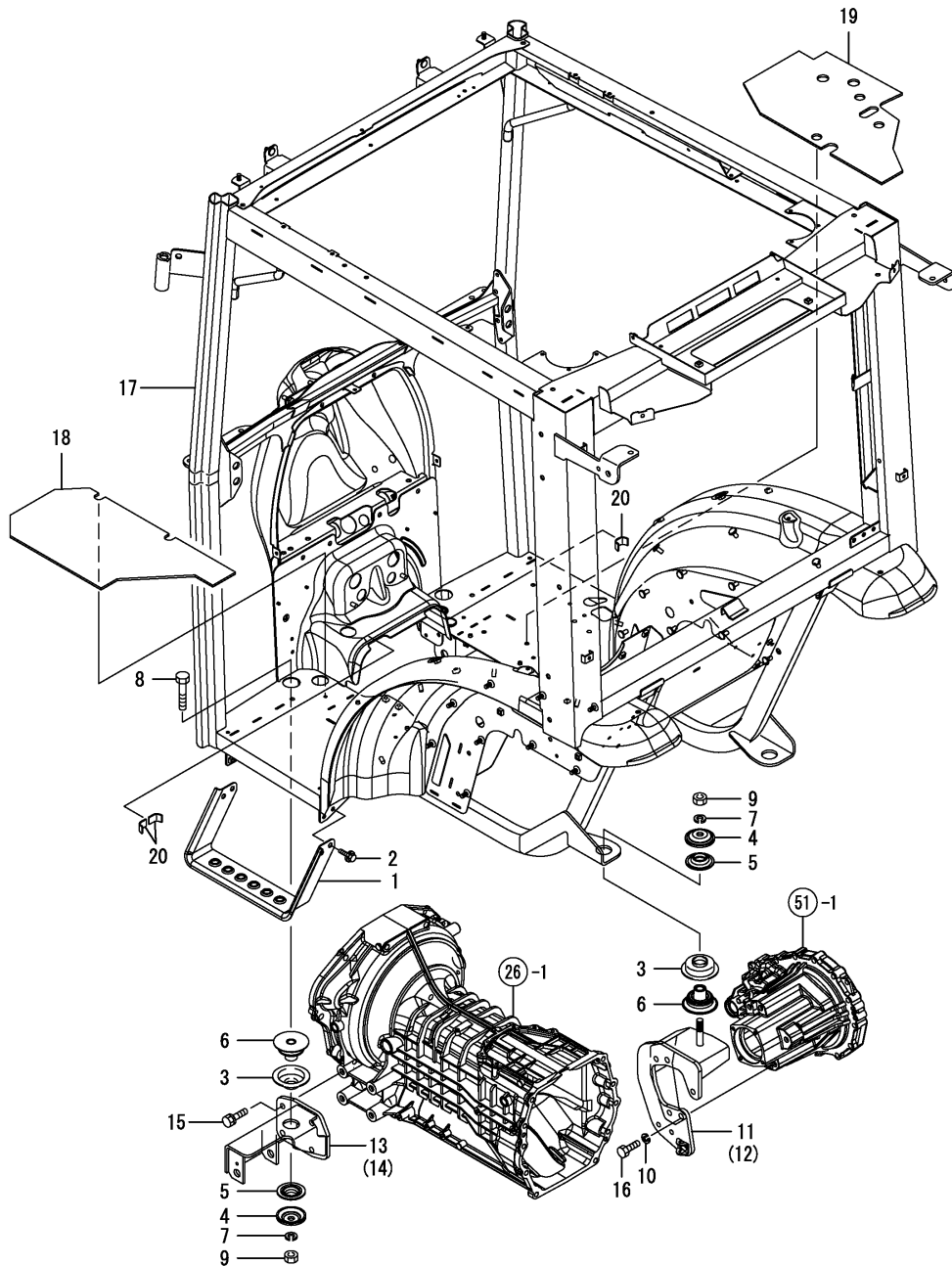
(D)=EF235EH
(E)=
(F)=

REF.	LEV.	PARTS NO.	DESCRIPTION	QTY						I	R
				(A)	(B)	(C)	(D)	(E)	(F)		
1	1	198280-75700	HITCH KIT,DRAWBER	1	1	1	1				
2	2	195230-17260	PIN 22, SNAP	1	1	1	1				
3	2	198280-75200	DRAWBER ASSY,	1	1	1	1				
4	3	198280-75210	DRAWBER	1	1	1	1				
5	3	198280-75250	PLATE,CLEVIS	1	1	1	1				
6	3	198280-75260	SPACER,CLEVIS	2	2	2	2				
7	3	22217-160000	SPRING WASHER 16	2	2	2	2				
8	3	26116-161302	BOLT M16X130 PLATED	2	2	2	2				
9	3	26716-160002	NUT M16	2	2	2	2				
10	2	198253-75430	PIN, HITCH	1	1	1	1				
11	2	198280-75750	BRACKET ASSY,DRAWBER	1	1	1	1				
12	2	26013-120352	BOLT M12X 35	5	5	5	5				
13	2	26013-120652	BOLT M12X 65	2	2	2	2				
14	2	26106-100202	BOLT M10X 20 PLATED	2	2	2	2				

Fig.100. CABIN FRAME

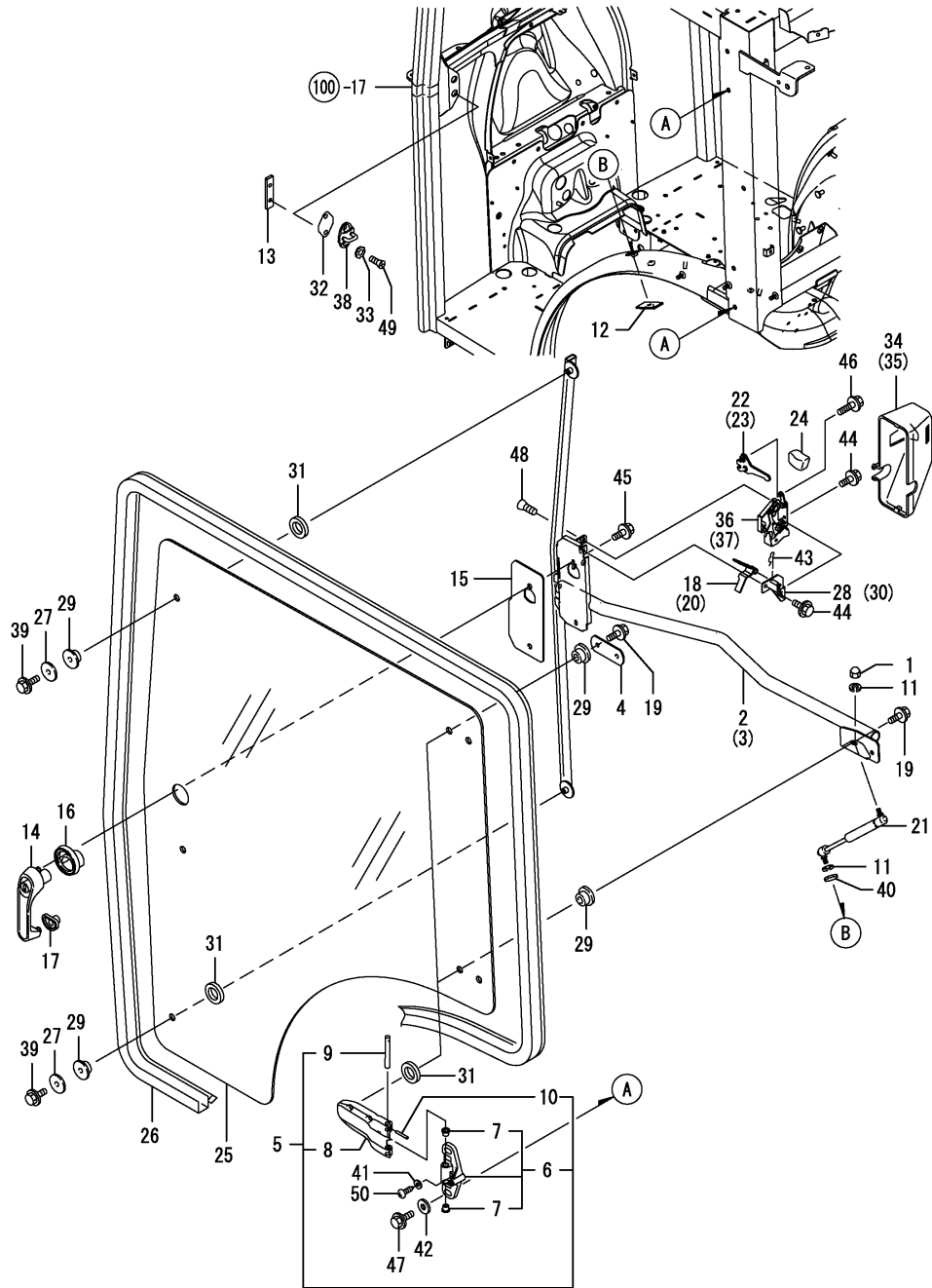
(A)=EF227EH
(B)=EF230EH
(C)=EF233EH

(D)=EF235EH
(E)=
(F)=



REF.	LEV.	PARTS NO.	DESCRIPTION	QTY						I	R
				(A)	(B)	(C)	(D)	(E)	(F)		
1	1	198200-62560	SUB-STEP,	1	1	1	1				
2	1	26106-080162	BOLT M 8X 16 PLATED	4	4	4	4				
3	1	198071-62900	STOPPER,MOUNT	4	4	4	4				
4	1	198200-62910	STOPPER, U	4	4	4	4				
5	1	198200-62970	MOUNT, UPPER	4	4	4	4				
6	1	198208-62990	MOUNT, LOWER	4	4	4	4				
7	1	22217-140000	SPRING WASHER 14	4	4	4	4				
8	1	26116-140752	BOLT M14X 75 PLATED	2	2	2	2				
9	1	26716-140002	NUT M14	4	4	4	4				
10	1	194274-13580	SPRING WASHER 12	10	10	10	10				
11	1	198280-62630	MOUNT ASSY, REAR L	1	1	1	1				
12	1	198280-62640	MOUNT ASSY, REAR R	1	1	1	1				
13	1	198280-62850	MOUNT ASSY, FRONT L	1	1	1	1				
14	1	198280-62860	MOUNT ASSY, FRONT R	1	1	1	1				
15	1	26013-120402	BOLT M12X 40	8	8	8	8				
16	1	26116-120402	BOLT M12X 40	10	10	10	10				
17	1	198287-80090	CABIN M ASSY	1	1	1	1				
18	1	198287-84280	DAMPING, L FLOOR	1	1	1	1				
19	1	198287-84290	DAMPING, R FLOOR	1	1	1	1				
20	1	198093-84810	SEAL,FENDER	3	3	3	3				

Fig.101. DOOR

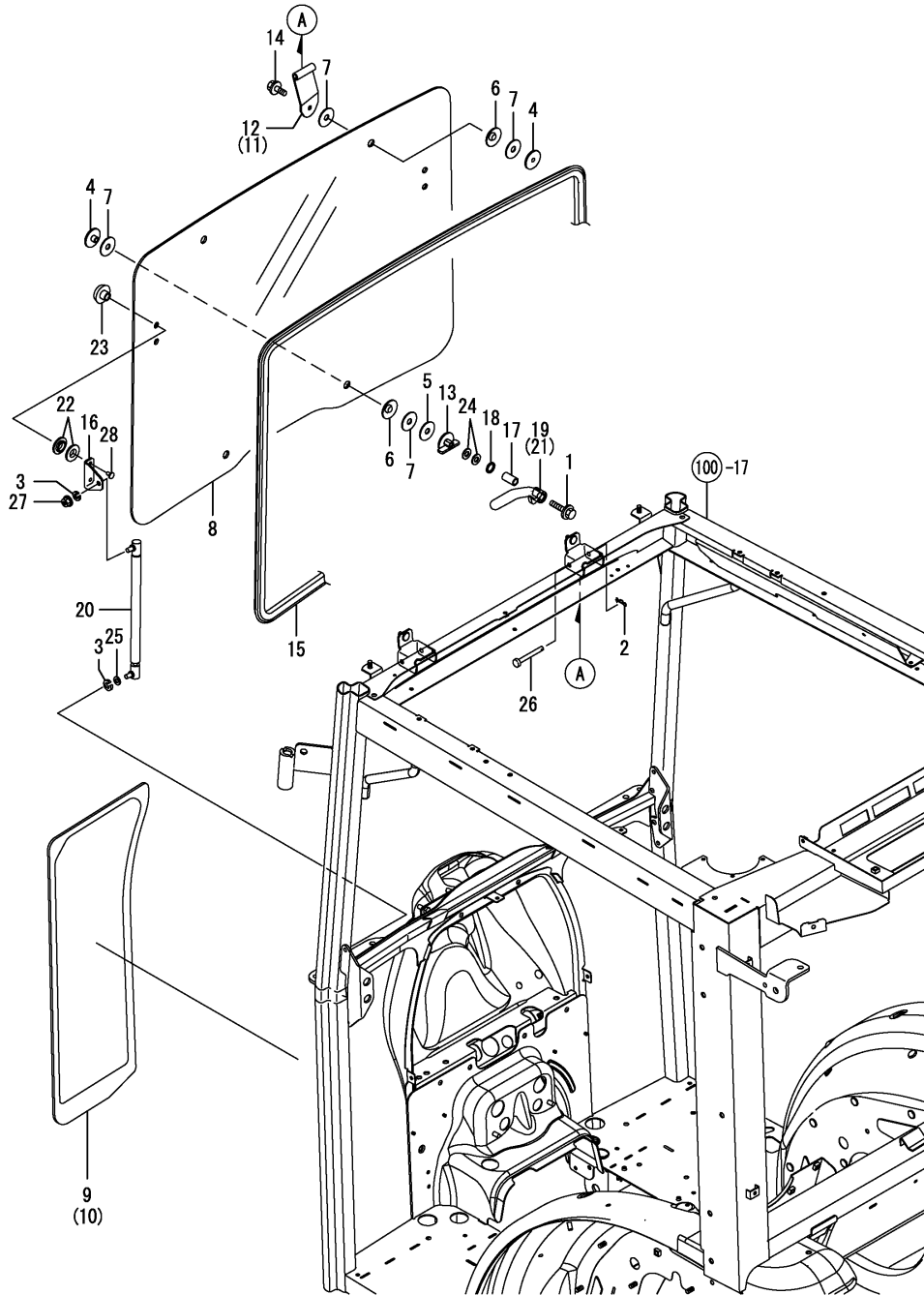


(A)=EF227EH
(B)=EF230EH
(C)=EF233EH

(D)=EF235EH
(E)=
(F)=

REF.	LEV.	PARTS NO.	DESCRIPTION	QTY						I	R
				(A)	(B)	(C)	(D)	(E)	(F)		
1	1	194697-47150	NUT M8,HIGH CAP	2	2	2	2				
2	1	198208-82110	FRAME ASSY, DOOR L	1	1	1	1				
3	1	198208-82120	FRAME ASSY, DOOR R	1	1	1	1				
4	1	198492-82150	PLATE, DOOR FRAME	2	2	2	2				
5	1	198208-82200	HINGE ASSY, DOOR	4	4	4	4				
6	2	198208-82220	HINGE B ASSY, DOOR	4	4	4	4				
7	3	1C1011-33990	BUSH 10,COLLAR	8	8	8	8				
8	2	198208-82250	HINGE, A DOOR	4	4	4	4				
9	2	198208-82260	PIN, DOOR HINGE	4	4	4	4				
10	2	22351-030020	SPRING PIN 3X20	4	4	4	4				
11	1	198268-82270	SPRING WASHER 8	4	4	4	4				
12	1	198208-82320	STAY, DOOR DAMPER	2	2	2	2				
13	1	198463-82350	PLATE, DOOR LOCK	2	2	2	2				
14	1	1A7320-82400	HANDLE ASSY, OUTER	2	2	2	2				
15	1	1A7320-82440	GASKET, LATCH COVER	2	2	2	2				
16	1	198153-82470	PACKING A,HANDLE	2	2	2	2				
17	1	198153-82480	PACKING B,HANDLE	2	2	2	2				
18	1	1A7320-82510	LEVER, OPEN OUTSIDE	1	1	1	1				
19	1	198093-82510	BOLT M8X25,COLLAR	8	8	8	8				
20	1	1A7320-82520	LEVER, OPEN OUTSIDE	1	1	1	1				
21	1	198463-82550	DAMPER, GAS DOOR	2	2	2	2				
22	1	1A7320-82570	LEVER, DOOR INSIDE L	1	1	1	1				
23	1	1A7320-82580	LEVER, DOOR INSIDE R	1	1	1	1				
24	1	198492-82590	KNOB, DOOR HANDLE	2	2	2	2				
25	1	198287-82610	GLASS, DOOR	2	2	2	2				
26	1	198287-82630	WEATHER-STRIP, DG	2	2	2	2				
27	1	198255-82640	STAY,HINGE PLATE	4	4	4	4				
28	1	1A7320-82650	BRACKET, LEVER L.H.	1	1	1	1				
29	1	198255-82650	RUBBER A,GL.CUSHION	12	12	12	12				
30	1	1A7320-82660	BRACKET, LEVER R.H.	1	1	1	1				
31	1	198255-82660	RUBBER B,GL.CUSHION	12	12	12	12				
32	1	198255-82690	SPACER,STRIKER	2	2	2	2				
33	1	198255-82700	WASHER 8	4	4	4	4				
34	1	1A7320-82710	COVER, LATCH L.H.	1	1	1	1				
35	1	1A7320-82720	COVER, LATCH R.H.	1	1	1	1				
36	1	1A7320-82750	LOCK ASSY, DOOR L.H.	1	1	1	1				
37	1	1A7320-82760	LOCK ASSY, DOOR R.H.	1	1	1	1				
38	1	1A7320-82770	STRIKER, DOOR LOCK	2	2	2	2				
39	1	198460-83350	BOLT M8X16,BC COLLAR	4	4	4	4				
40	1	198255-83350	WASHER 8,BC,PLAIN	2	2	2	2				
41	1	22117-060000	WASHER 6	4	4	4	4				
42	1	22137-100000	WASHER 10,POLISHED	8	8	8	8				
43	1	22372-080000	SNAP PIN (JASO 8)	2	2	2	2				
44	1	26106-060122	BOLT M 6X 12 PLATED	4	4	4	4				
45	1	26106-060122	BOLT M 6X 12 PLATED	4	4	4	4				
46	1	26106-060252	BOLT M 6X 25 PLATED	2	2	2	2				
47	1	26106-100252	BOLT M10X 25 PLATED	8	8	8	8				
48	1	26577-060202	SCREW M 6X 20	6	6	6	6				
49	1	26577-080252	SCREW M 8X 25	4	4	4	4				
50	1	26587-060122	SCREW M 6X 12	4	4	4	4				

Fig.102. FRONT WINDOW



(A)=EF227EH
(B)=EF230EH
(C)=EF233EH

(D)=EF235EH
(E)=
(F)=

REF.	LEV.	PARTS NO.	DESCRIPTION	QTY						I	R
				(A)	(B)	(C)	(D)	(E)	(F)		
1	1	194697-28270	BOLT M8X35,COLLAR HD	2	2	2	2				
2	1	1C6281-52310	PIN 6,COME-OFF SNAP	2	2	2	2				
3	1	198268-82270	SPRING WASHER 8	4	4	4	4				
4	1	198094-82550	BOLT	2	2	2	2				
5	1	198255-82640	STAY,HINGE PLATE	2	2	2	2				
6	1	198255-82650	RUBBER A,GL.CUSHION	4	4	4	4				
7	1	198255-82660	RUBBER B,GL.CUSHION	8	8	8	8				
8	1	198287-83110	GLASS, FRONT	1	1	1	1				
9	1	198208-83120	GLASS, L FRONT LOWER	1	1	1	1				
10	1	198208-83130	GLASS, R FRONT LOWER	1	1	1	1				
11	1	198287-83150	HINGE, L FRONT	1	1	1	1				
12	1	198287-83160	HINGE, R FRONT	1	1	1	1				
13	1	198287-83340	BRACKET, FRONT LOCK	2	2	2	2				
14	1	198460-83350	BOLT M8X16,BC COLLAR	4	4	4	4				
15	1	198208-83640	WEATHER-STRIP, RG	1	1	1	1				
16	1	198208-83650	STAY, GAS DAMPER	2	2	2	2				
17	1	198153-83710	COLLAR 8.4X12X22.5	2	2	2	2				
18	1	198153-83720	WASHER 12,WAVE	2	2	2	2				
19	1	198153-83730	HANDLE,REAR GLASS	1	1	1	1				
20	1	198093-83751	SPRING	2	2	2	2				
21	1	198463-83760	HANDLE, SIDE GLASS L	1	1	1	1				
22	1	197820-84740	LINER	8	8	8	8				
23	1	197820-84750	RETAINER	4	4	4	4				
24	1	22137-080000	WASHER 8, POLISHED	4	4	4	4				
25	1	22137-080000	WASHER 8, POLISHED	2	2	2	2				
26	1	22487-080600	PIN 8X 60	2	2	2	2				
27	1	26366-080002	NUT M 8	2	2	2	2				
28	1	26589-060102	SCREW M 6X 10	4	4	4	4				

Fig.103. REAR WINDOW

(A)=EF227EH

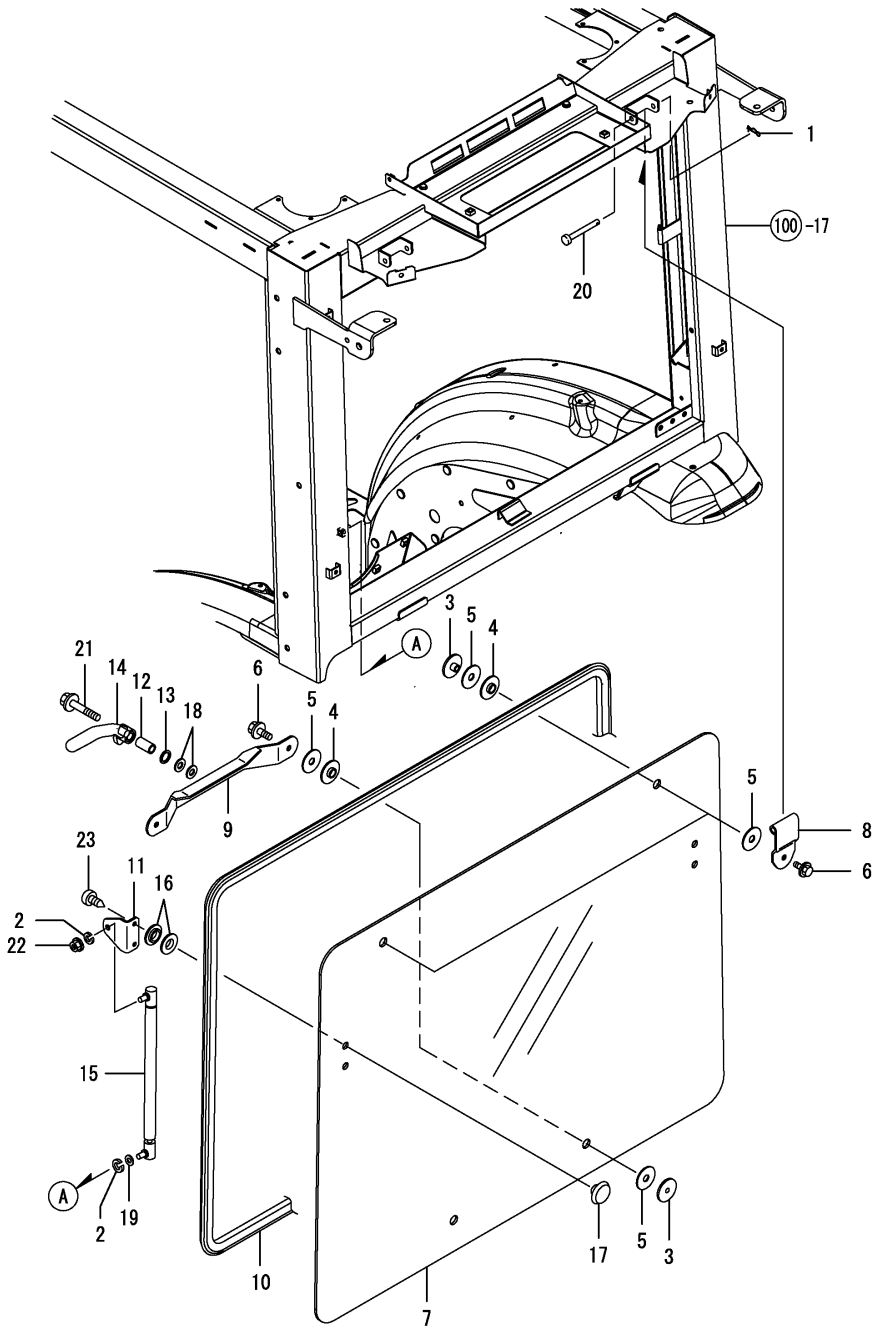
(B)=EF230EH

(C)=EF233EH

(D)=EF235EH

(E)=

(F)=

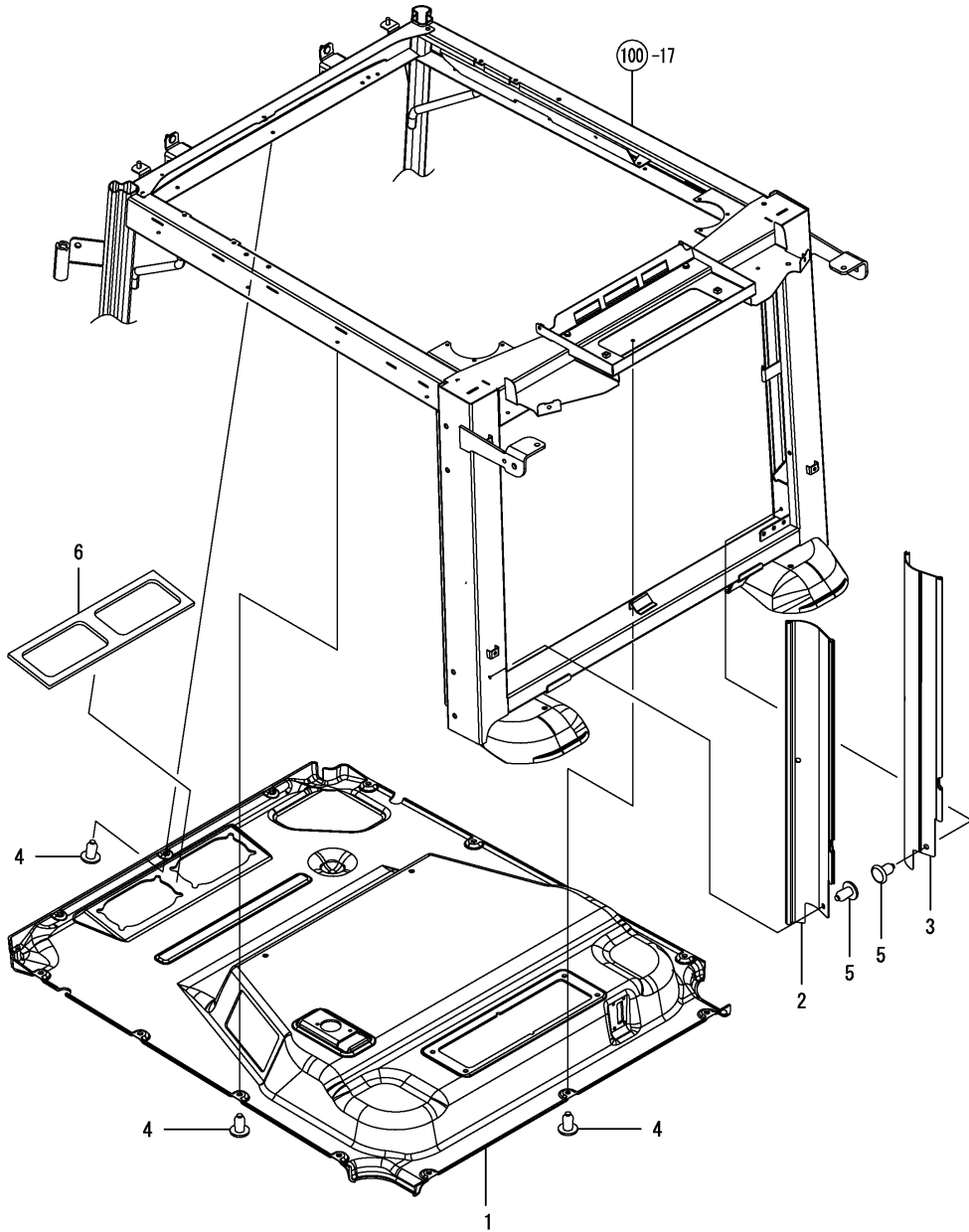


REF.	LEV.	PARTS NO.	DESCRIPTION	Q'TY						I	R
				(A)	(B)	(C)	(D)	(E)	(F)		
1	1	1C6281-52310	PIN 6,COME-OFF SNAP	2	2	2	2				
2	1	198268-82270	SPRING WASHER 8	4	4	4	4				
3	1	198094-82550	BOLT	4	4	4	4				
4	1	198255-82650	RUBBER A,GL.CUSHION	4	4	4	4				
5	1	198255-82660	RUBBER B,GL.CUSHION	8	8	8	8				
6	1	198460-83350	BOLT M8X16,BC COLLAR	4	4	4	4				
7	1	198287-83610	GLASS, REAR	1	1	1	1				
8	1	198208-83630	HINGE, REAR	2	2	2	2				
9	1	198094-83640	BRACKET,REAR LOCK	1	1	1	1				
10	1	198287-83640	WEATHER-STRIP, RG	1	1	1	1				
11	1	198208-83650	STAY, GAS DAMPER	2	2	2	2				
12	1	198153-83710	COLLAR 8.4X12X22.5	1	1	1	1				
13	1	198153-83720	WASHER 12,WAVE	1	1	1	1				
14	1	198153-83730	HANDLE,REAR GLASS	1	1	1	1				
15	1	198093-83751	SPRING	2	2	2	2				
16	1	197820-84740	LINER	8	8	8	8				
17	1	197820-84750	RETAINER	4	4	4	4				
18	1	22137-080000	WASHER 8, POLISHED	2	2	2	2				
19	1	22137-080000	WASHER 8, POLISHED	2	2	2	2				
20	1	22487-080600	PIN 8X 60	2	2	2	2				
21	1	26106-080452	BOLT M 8X 45 PLATED	1	1	1	1				
22	1	26366-080002	NUT M 8	2	2	2	2				
23	1	26589-060102	SCREW M 6X 10	4	4	4	4				

Fig.104. INTERIORS

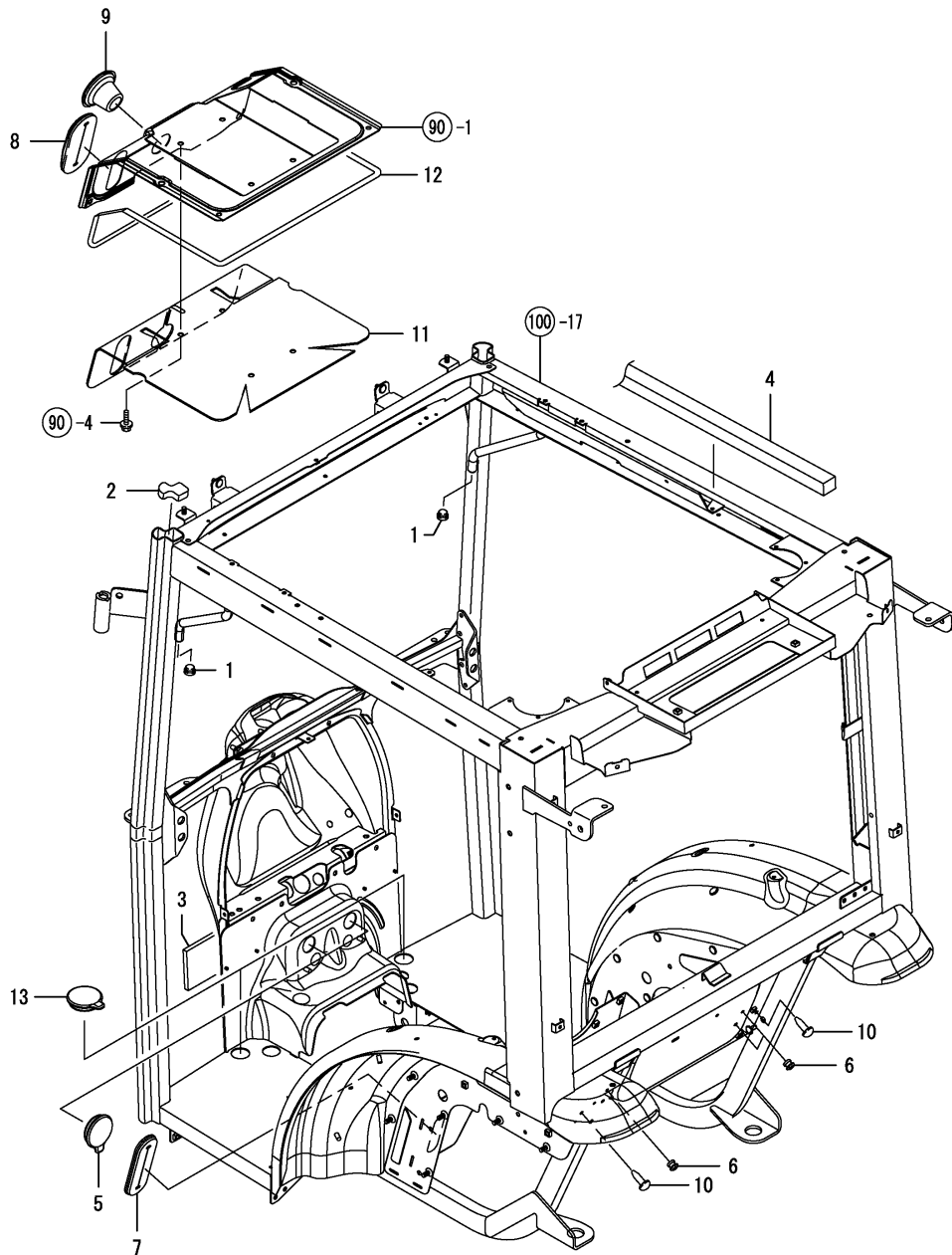
(A)=EF227EH
(B)=EF230EH
(C)=EF233EH

(D)=EF235EH
(E)=
(F)=



REF.	LEV.	PARTS NO.	DESCRIPTION	Q'TY						I	R
				(A)	(B)	(C)	(D)	(E)	(F)		
1	1	198287-84100	ROOF, INNER	1	1	1	1				
2	1	198287-85480	COVER, REAR PILLAR L	1	1	1	1				
3	1	198287-85490	COVER, REAR PILLAR R	1	1	1	1				
4	1	198010-85810	RIVET	16	16	16	16				
5	1	198010-85810	RIVET	4	4	4	4				
6	1	1A7030-87260	SEAT, GRILL FRONT	1	1	1	1				

Fig.105. CABIN SEAL



(A)=EF227EH
(B)=EF230EH
(C)=EF233EH

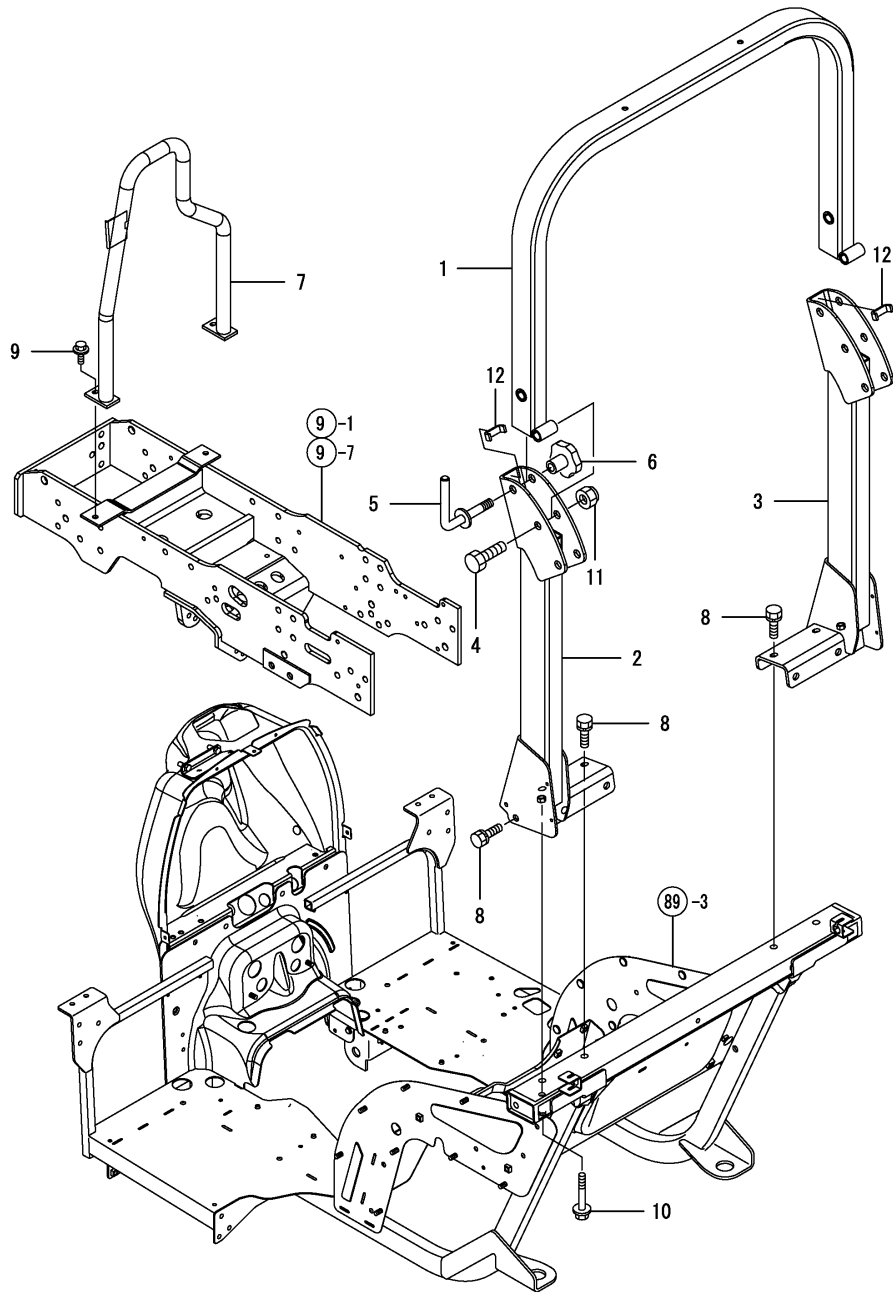
(D)=EF235EH
(E)=
(F)=

REF.	LEV.	PARTS NO.	DESCRIPTION	QTY						I	R
				(A)	(B)	(C)	(D)	(E)	(F)		
1	1	194145-64430	GROMMET 12	2	2	2	2				
2	1	198208-84190	SEAL, FRONT PIPE	2	2	2	2				
3	1	198208-84570	SEAL, AIRCUT	1	1	1	1				
4	1	198208-85590	SEAL, OUTER ROOF	1	1	1	1				
5	1	198094-85710	GROMMET 38	2	2	2	2				
6	1	1C6053-26020	CAP, RUBBER	3	3	3	3				
7	1	198208-62810	GROMMET, PEDAL	1	1	1	1				
8	1	198287-62810	GROMMET, BRAKE	1	1	1	1				
9	1	198208-62920	BOOT, STOP LEVER	1	1	1	1				
10	1	1E6760-74150	CAP 8,HOLE	2	2	2	2				
11	1	198287-84540	DAMPING, DUST B	1	1	1	1				
12	1	1A7320-84650	SEAL, DUST COVER	1	1	1	1				
13	1	198094-85710	GROMMET 38	2	2	2	2				

Fig.106. SAFETY FRAME(REAR)

(A)=EF227EH
(B)=EF230EH
(C)=EF233EH

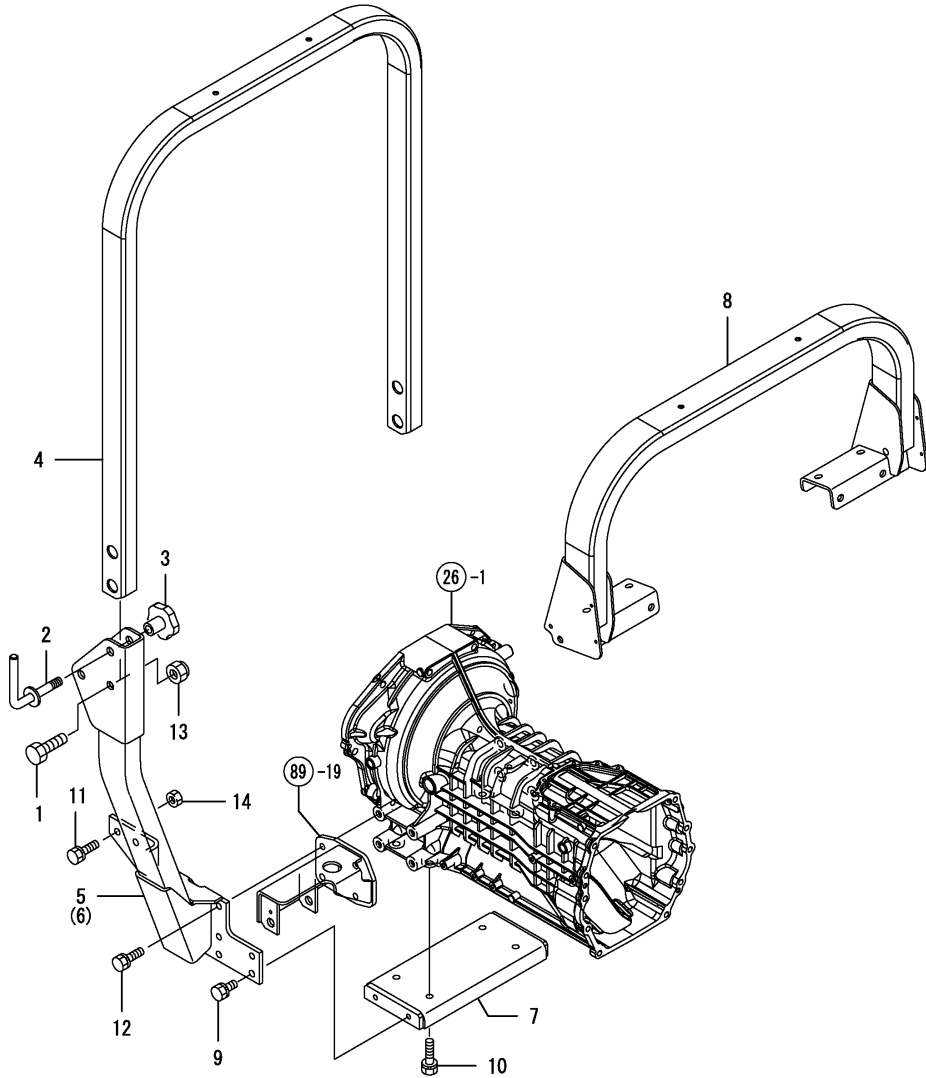
(D)=EF235EH
(E)=
(F)=



REF.	LEV.	PARTS NO.	DESCRIPTION	QTY						I	R
				(A)	(B)	(C)	(D)	(E)	(F)		
1	1	198280-85100	FRAME ASSY, UPPER	1	1	1	1				
2	1	198280-85150	FRAME ASSY, LOW	1	1	1	1				
3	1	198280-85160	FRAME ASSY, R LOW	1	1	1	1				
4	1	198200-85400	BOLT, 16 X 85	2	2	2	2				
5	1	198280-85410	HANDLE ASSY,	2	2	2	2				
6	1	198163-85630	KNOB M16	2	2	2	2				
7	1	198280-85710	FRAME ASSY,FRONT	1	1	1	1				
8	1	26013-120352	BOLT M12X 35	10	10	10	10				
9	1	26106-080202	BOLT M 8X 20 PLATED	4	4	4	4				
10	1	26106-100652	BOLT M10X 65 PLATED	2	2	2	2				
11	1	26356-160002	U-NUT M16	2	2	2	2				
12	1	198162-61370	SEAL E,LADIATOR	2	2	2	2				W

(A)=*2008.06.) (B)=*2008.06.) (C)=*2008.06.) (D)=*2008.06.)

Fig.107. SAFETY FRAME(FRONT)

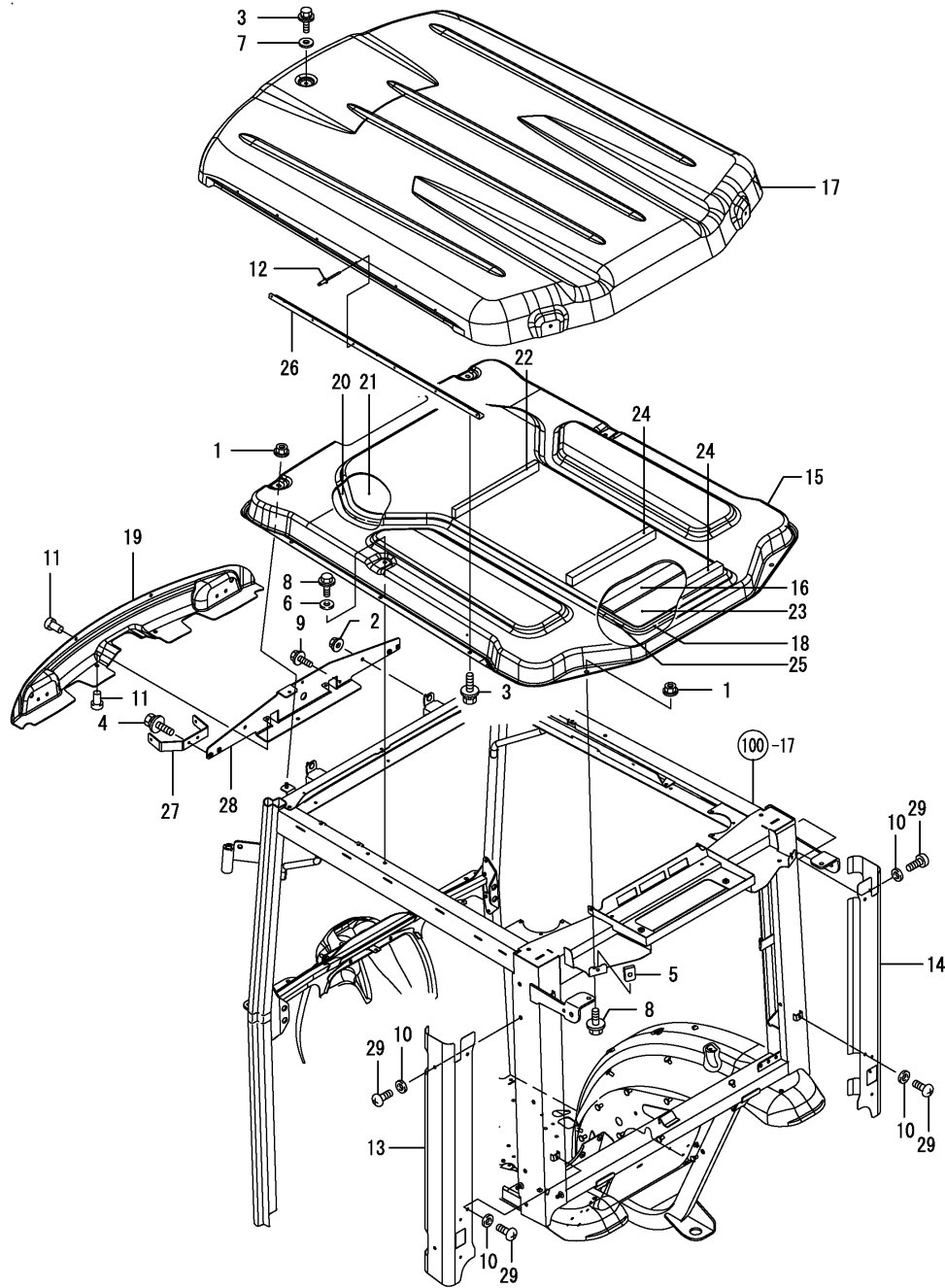


(A)=EF227EH
(B)=EF230EH
(C)=EF233EH

(D)=EF235EH
(E)=
(F)=

REF.	LEV.	PARTS NO.	DESCRIPTION	Q'TY						I	R
				(A)	(B)	(C)	(D)	(E)	(F)		
1	1	198200-85400	BOLT, 16 X 85	4	4	4	4				
2	1	198280-85410	HANDLE ASSY,	1	1	1	1				
3	1	198163-85630	KNOB M16	1	1	1	1				
4	1	198282-85800	FRAME ASSY,UPPER	1	1	1	1				
5	1	198282-85820	FRAME L ASSY,MAIN	1	1	1	1				
6	1	198282-85830	FRAME R ASSY,MAIN	1	1	1	1				
7	1	198282-85900	PLATE ASSY,UNDER	1	1	1	1				
8	1	198282-85950	GUARD ASSY, REAR	1	1	1	1				
9	1	26013-120252	BOLT M12X 25	4	4	4	4				
10	1	26013-120352	BOLT M12X 35	4	4	4	4				
11	1	26013-120402	BOLT M12X 40	4	4	4	4				
12	1	26013-120452	BOLT M12X 45	6	6	6	6				
13	1	26356-160002	U-NUT M16	4	4	4	4				
14	1	26716-120002	NUT 12	4	4	4	4				

Fig.108. ROOF

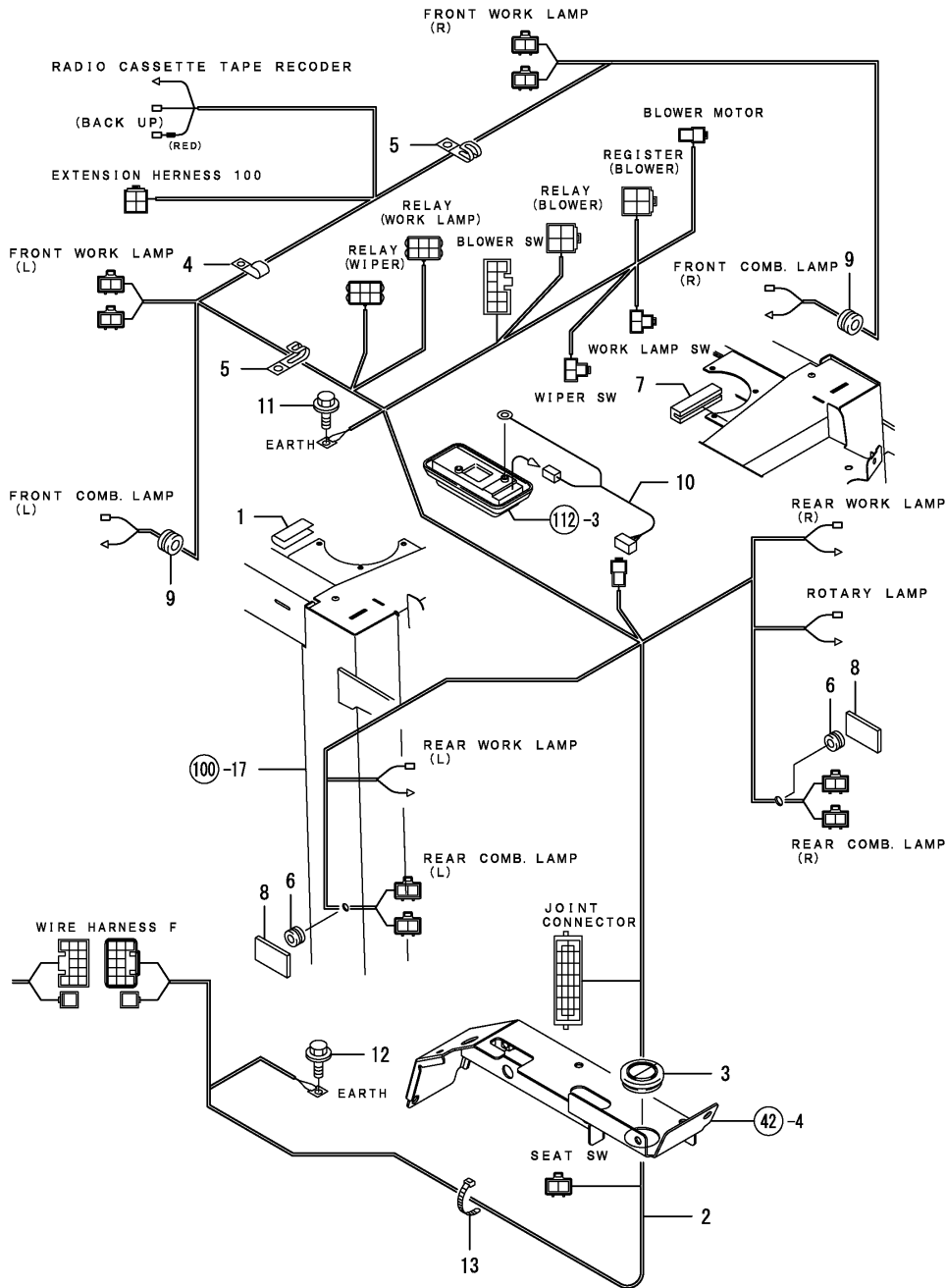


(A)=EF227EH
(B)=EF230EH
(C)=EF233EH

(D)=EF235EH
(E)=
(F)=

REF.	LEV.	PARTS NO.	DESCRIPTION	QTY						I	R
				(A)	(B)	(C)	(D)	(E)	(F)		
1	1	194990-22140	NUT W/WASHER 8	4	4	4	4				
2	1	194990-22140	NUT W/WASHER 8	2	2	2	2				
3	1	198461-60590	BOLT 6* 20	9	9	9	9				
4	1	198461-60590	BOLT 6* 20	4	4	4	4				
5	1	198071-61890	NUT 6,SPEED	2	2	2	2				
6	1	198220-62150	WASHER	2	2	2	2				
7	1	198220-62150	WASHER	1	1	1	1				
8	1	198460-83350	BOLT M8X16,BC COLLAR	4	4	4	4				
9	1	198460-83350	BOLT M8X16,BC COLLAR	1	1	1	1				
10	1	198255-83510	WASHER 6,BC,PLAIN	8	8	8	8				
11	1	197810-84840	RIVET	4	4	4	4				
12	1	198287-85320	RIVET, BLACK	12	12	12	12				
13	1	198287-85450	COVER, OUTER L	1	1	1	1				
14	1	198287-85460	COVER, OUTER R	1	1	1	1				
15	1	198287-85550	ROOF, OUTER	1	1	1	1				
16	1	198208-85570	SEAL, OUTSIDE AIR	1	1	1	1				
17	1	198287-85570	COVER, OUTER	1	1	1	1				
18	1	198208-85580	SEAL, ROOF REAR	1	1	1	1				
19	1	198287-85590	COVER, FRONT	1	1	1	1				
20	1	198208-85600	SEAL, A AIR CON	1	1	1	1				
21	1	198208-85610	INSULATOR, A	1	1	1	1				
22	1	198287-85610	URETHAN, A ROOF	1	1	1	1				
23	1	198208-85620	INSULATOR, B	1	1	1	1				
24	1	198287-85620	URETHAN, B ROOF	2	2	2	2				
25	1	198208-85630	SEAL, ROOF SIDE	2	2	2	2				
26	1	198287-85650	STAY ASSY,COVER	2	2	2	2				
27	1	198287-86260	STY, WORK LAMP	2	2	2	2				
28	1	198287-86350	STY ASSY, WIPER	1	1	1	1				
29	1	26589-060102	SCREW M 6X 10	8	8	8	8				

Fig.111. WIRE HARNESS(CABIN)



(A)=EF227EH
(B)=EF230EH
(C)=EF233EH

(D)=EF235EH
(E)=
(F)=

REF.	LEV.	PARTS NO.	DESCRIPTION	QTY						I	R
				(A)	(B)	(C)	(D)	(E)	(F)		
1	1	195616-24930	TRIM	1	1	1	1				
2	1	198287-51250	WIRING HARNESS, CAB	1	1	1	1				
3	1	198133-51350	GROMMET 38A	1	1	1	1				
4	1	194197-51630	CLAMP 51	1	1	1	1				
5	1	194440-51630	CLAMP, WIRE HARNESS	2	2	2	2				
6	1	198071-58810	GROMMET 8	2	2	2	2				
7	1	198230-61560	GUIDE,HOSE	1	1	1	1				
8	1	198093-84810	SEAL,FENDER	2	2	2	2				
9	1	197830-85490	GROMMET 8,RUBBER	2	2	2	2				
10	1	198146-86120	WIRE, LEAD	1	1	1	1				
11	1	26106-080122	BOLT M 8X 12 PLATED	1	1	1	1				
12	1	26106-080122	BOLT M 8X 12 PLATED	1	1	1	1				
13	1	29622-250001	BAND RF 250	2	2	2	2				

Fig.113. SWITCHES(CABIN)

(A)=EF227EH
 (B)=EF230EH
 (C)=EF233EH

(D)=EF235EH
 (E)=
 (F)=

REF.	LEV.	PARTS NO.	DESCRIPTION	Q'TY						I	R
				(A)	(B)	(C)	(D)	(E)	(F)		
1	1	194990-22130	NUT W/WASHER 6	1	1	1	1				
2	1	198461-52950	RELAY CA,TYPE C	2	2	2	2				
3	1	197821-85430	SWITCH,WIPER	1	1	1	1				
4	1	198094-86410	SWITCH, WORK LAMP	1	1	1	1				
5	1	26106-060162	BOLT M 6X 16 PLATED	1	1	1	1				

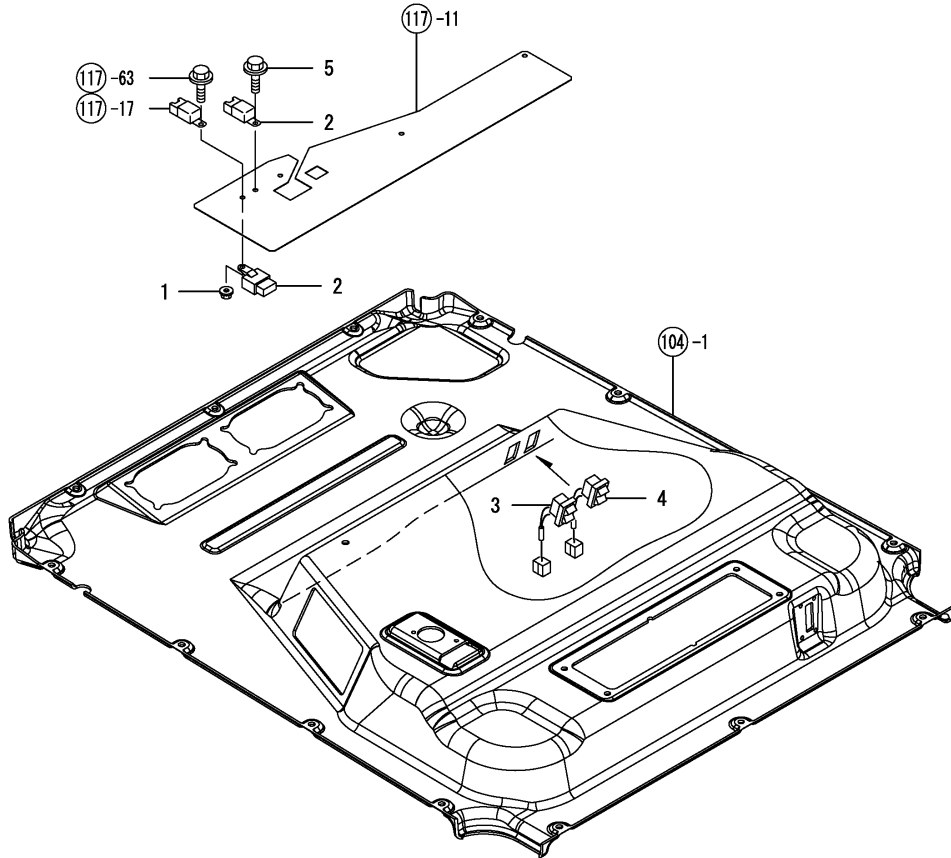
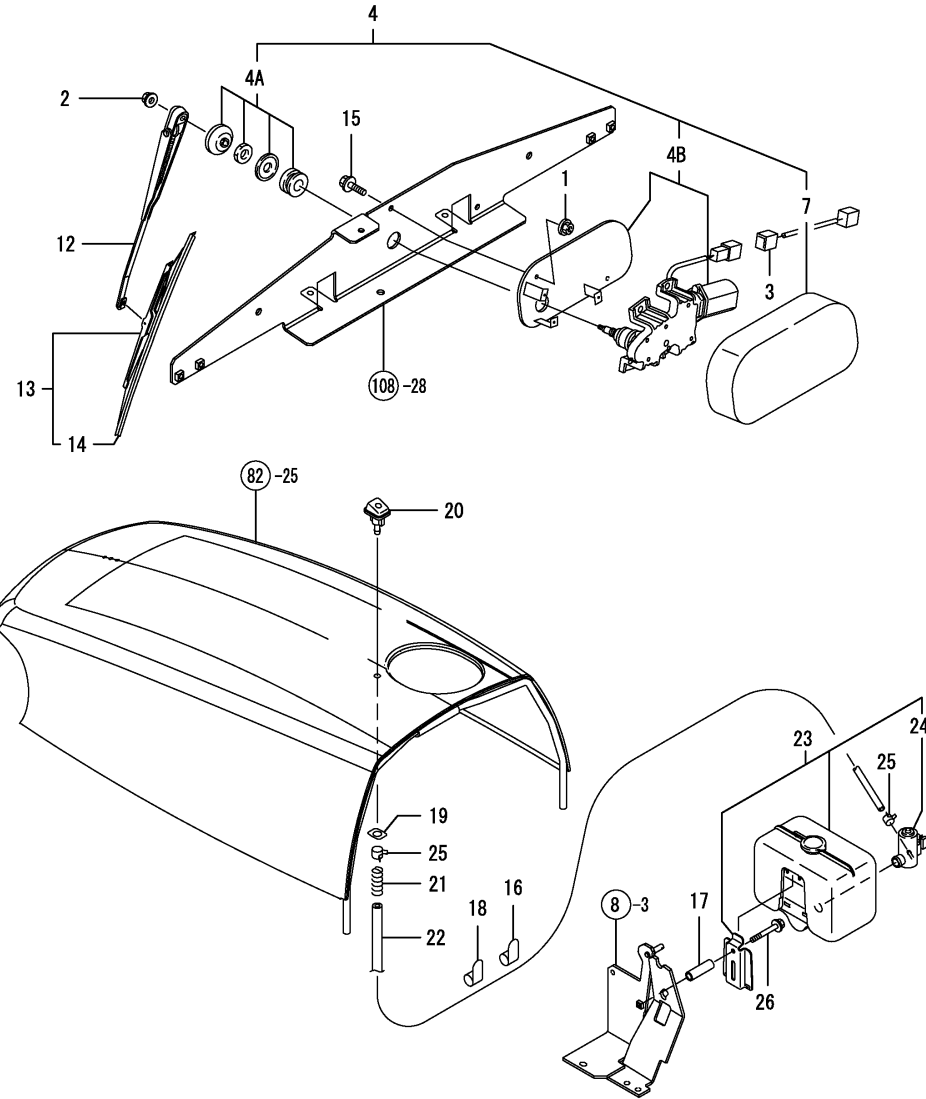


Fig.114. FRONT WIPER

(A)=EF227EH
(B)=EF230EH
(C)=EF233EH

(D)=EF235EH
(E)=
(F)=

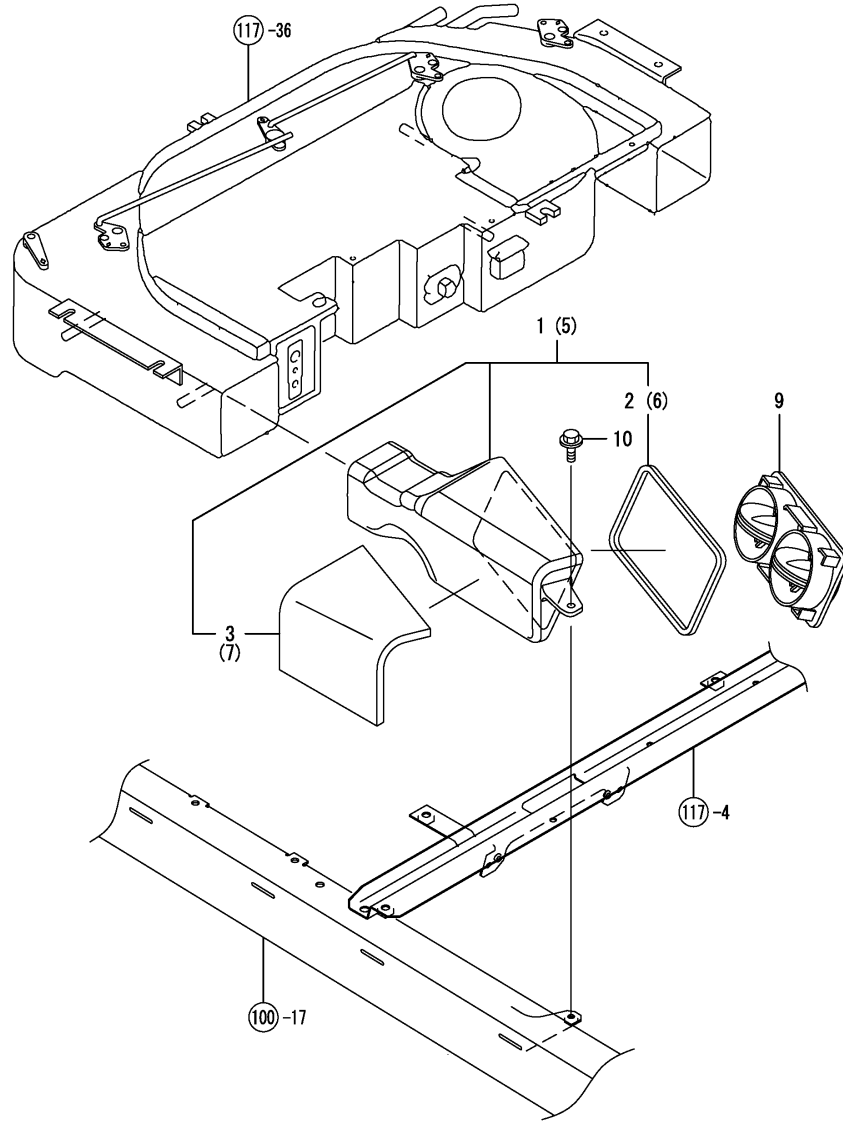


REF.	LEV.	PARTS NO.	DESCRIPTION	Q'TY						I	R
				(A)	(B)	(C)	(D)	(E)	(F)		
1	1	194990-22130	NUT W/WASHER 6	2	2	2	2				
2	1	194990-22130	NUT W/WASHER 6	1	1	1	1				
3	1	198287-51270	EXTENSION HARNESS100	1	1	1	1				
4	1	1A7320-86300	MOTOR ASSY, WIPER	1	1	1	1				
4A	2	198535-86450	COVER KIT,MOTOR	1	1	1	1				
4B	2	198535-86460	MOTOR KIT,A	1	1	1	1				
7	2	198535-86340	COVER	1	1	1	1				
12	1	198550-86540	WIPER ARM	1	1	1	1				
13	1	198550-86590	WIPER BLADE	1	1	1	1				
14	2	198550-86570	RUBBER	1	1	1	1				
15	1	26106-060162	BOLT M 6X 16 PLATED	2	2	2	2				
16	1	172010-07810	STICKER, WIRE	1	1	1	1				
17	1	195715-22590	COLLER, LEVER STAY	1	1	1	1				
18	1	194242-51660	CLAMP, WIRE HARNESS	1	1	1	1				
19	1	1A7320-61140	SPASA (WASHER-NOZZLE	1	1	1	1				
20	1	198094-86060	WASHER,NOZZLE	1	1	1	1				
21	1	198094-86560	SPRING	1	1	1	1				
22	1	198287-86570	HOSE, FRONT WASHER	1	1	1	1				
23	1	1A7030-86651	WASHER TANK ASSY	1	1	1	1				
24	2	198127-86710	PUMP,WASHER	1	1	1	1				
25	1	23080-007000	HOSE CLAMP 7	1	1	1	1				
26	1	26106-060452	BOLT M 6X 45 PLATED	1	1	1	1				

Fig.115. DUCT

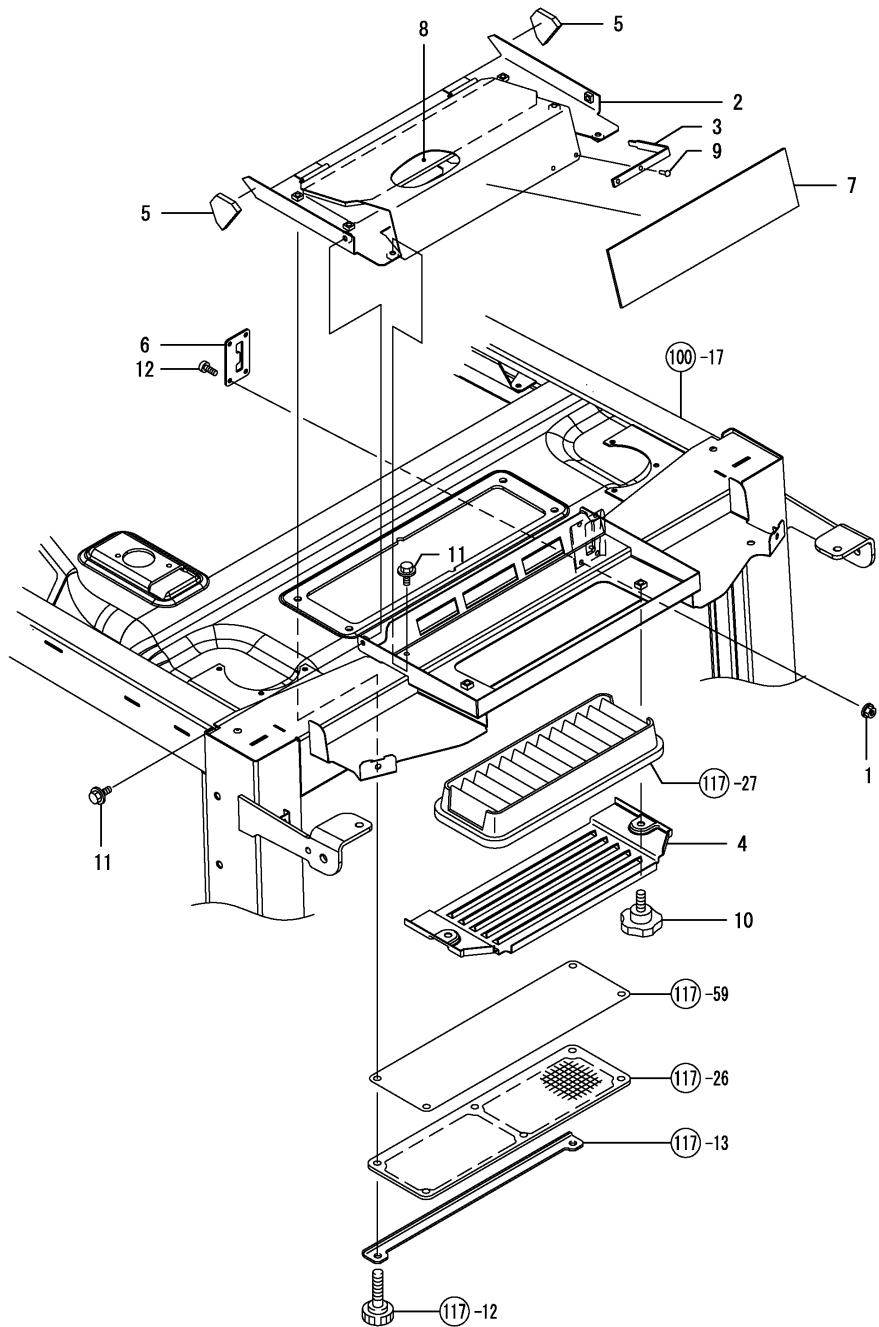
(A)=EF227EH
(B)=EF230EH
(C)=EF233EH

(D)=EF235EH
(E)=
(F)=



REF.	LEV.	PARTS NO.	DESCRIPTION	Q'TY						I	R
				(A)	(B)	(C)	(D)	(E)	(F)		
1	1	198208-87360	DUCT ASSY, SIDE L	1	1	1	1				
2	2	1A7030-87320	SEAL, DUCT SIDE	1	1	1	1				
3	2	198208-87380	FORM, DUCT SIDE L	1	1	1	1				
5	1	198208-87370	DUCT ASSY, SIDE R	1	1	1	1				
6	2	1A7030-87320	SEAL, DUCT SIDE	1	1	1	1				
7	2	198208-87390	FORM, DUCT SIDE R	1	1	1	1				
9	1	1A7030-87411	AIR-CON GRILL CMP	2	2	2	2				
10	1	26106-060162	BOLT M 6X 16 PLATED	2	2	2	2				

Fig.116. OUTSIDE AIR INTAKE



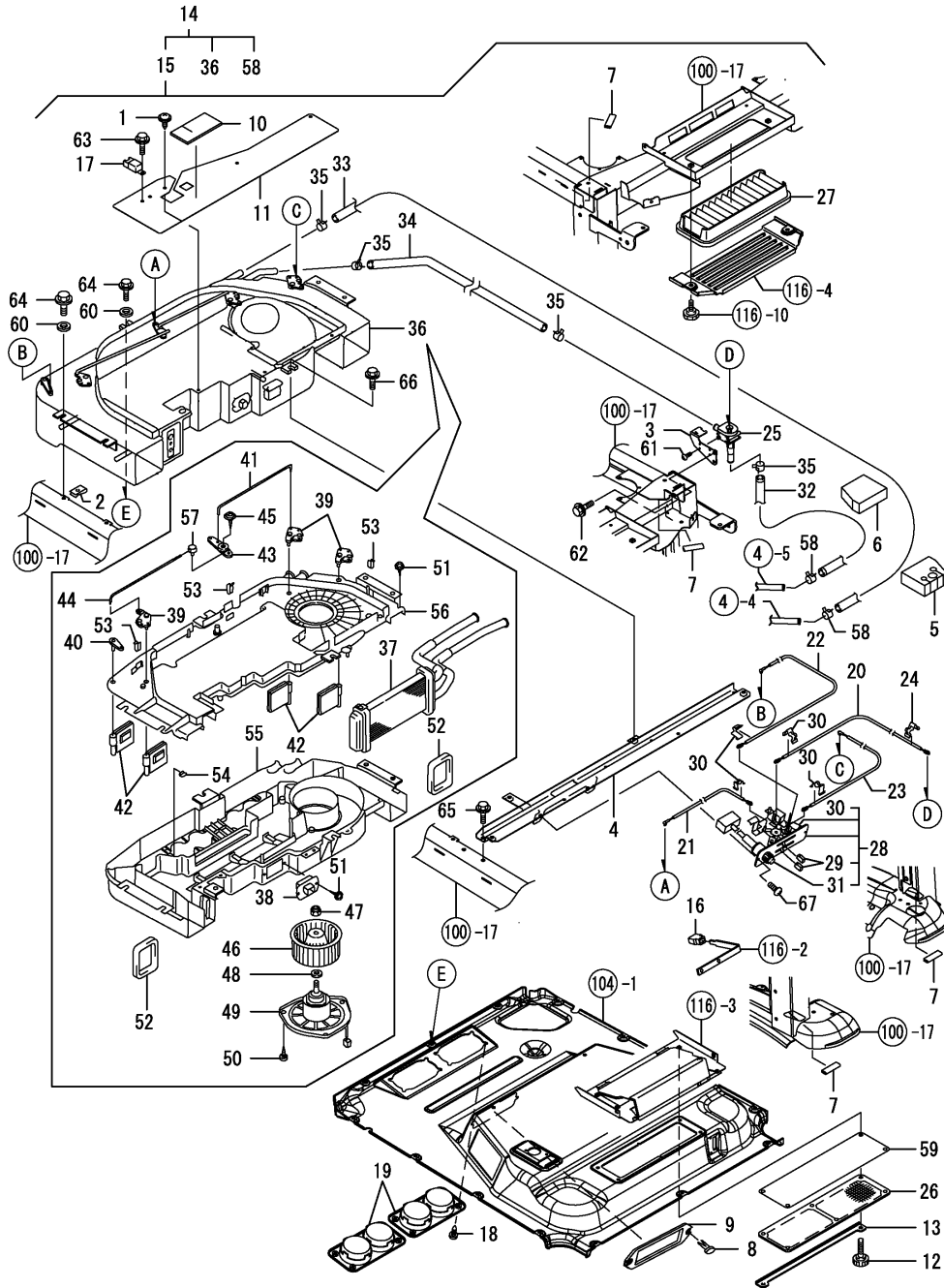
OCNP4-G32200 116. OUTSIDE AIR INTAKE

(A)=EF227EH
(B)=EF230EH
(C)=EF233EH

(D)=EF235EH
(E)=
(F)=

REF.	LEV.	PARTS NO.	DESCRIPTION	Q'TY						I	R
				(A)	(B)	(C)	(D)	(E)	(F)		
1	1	194990-22120	NUT W/WASHER 5	4	4	4	4				
2	1	198208-87560	SHUTTER ASSY,	1	1	1	1				
3	1	198208-87610	ARM, OUTSIDE AIR	1	1	1	1				
4	1	1A7030-87650	COVER, FILTER	1	1	1	1				
5	1	198208-87840	URETHANE, SHUTTER	2	2	2	2				
6	1	198208-87850	GUIDE,	1	1	1	1				
7	1	198208-87860	URETHANE, OUTSIDE	1	1	1	1				
8	1	198208-87870	URETHANE,	1	1	1	1				
9	1	22697-480641	RIVET, 4.8 X 6.4	2	2	2	2				
10	1	26064-080201	WING BOLT M 8X 20	2	2	2	2				
11	1	26106-060122	BOLT M 6X 12 PLATED	4	4	4	4				
12	1	26559-050162	SCREW	4	4	4	4				

Fig.117. HEATER



(A)=EF227EH
(B)=EF230EH
(C)=EF233EH

(D)=EF235EH
(E)=
(F)=

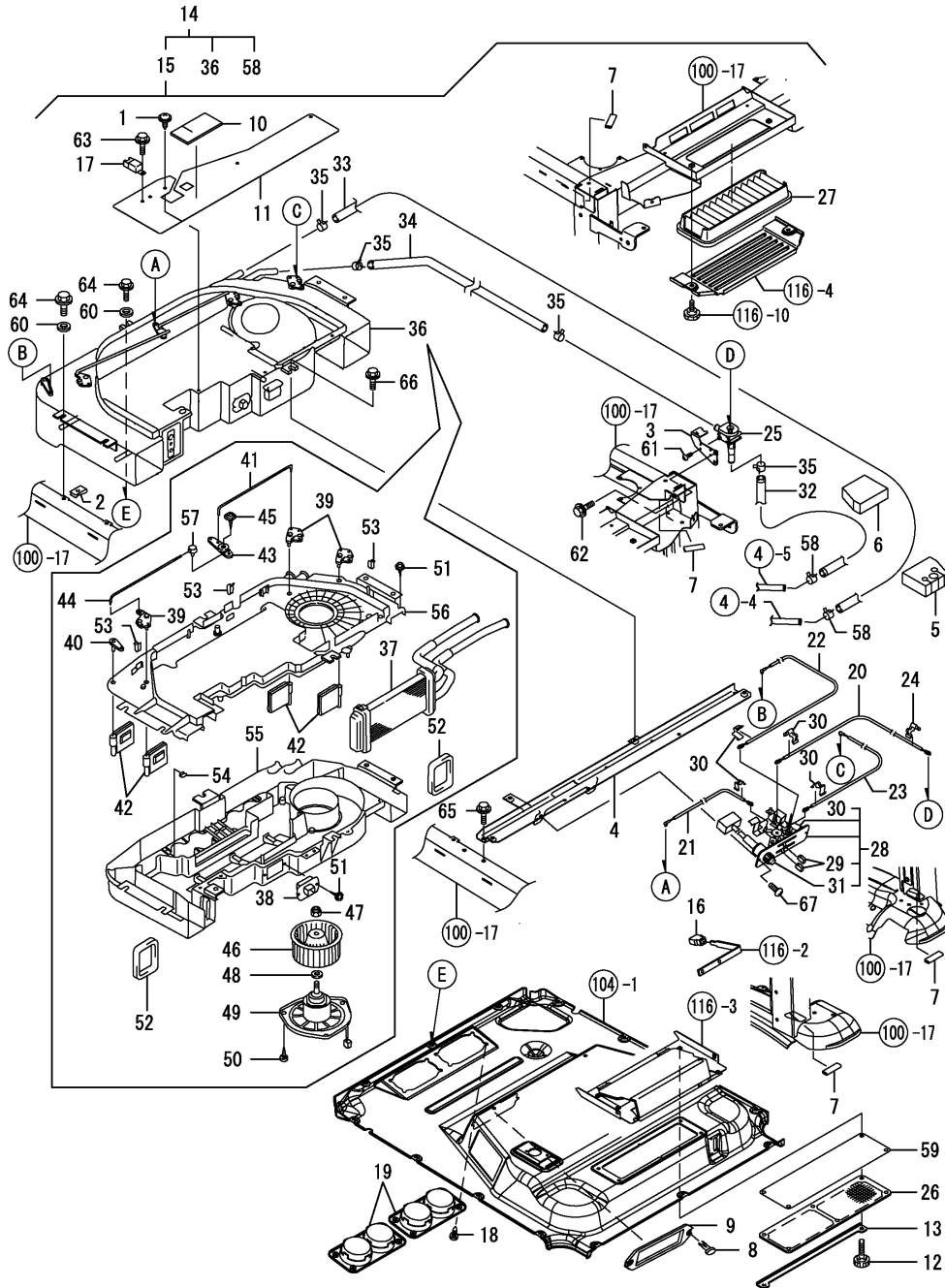
REF.	LEV.	PARTS NO.	DESCRIPTION	QTY						I	R
				(A)	(B)	(C)	(D)	(E)	(F)		
1	1	194940-61790	SCREW 5X16	3	3	3	3				
2	1	198071-61890	NUT 6,SPEED	4	4	4	4				
3	1	198208-80950	BRACKET ASSY, VALVE	1	1	1	1				
4	1	198208-81190	STAY ASSY,	1	1	1	1				
5	1	198208-84170	BOOT, STOP LEVER	2	2	2	2				
6	1	198287-84170	SEAL, A/C HOSE	1	1	1	1				
7	1	198093-84810	SEAL,FENDER	3	3	3	3				
8	1	198010-85810	RIVET	2	2	2	2				
9	1	1A7030-86870	COVER, AIR-CON PANEL	1	1	1	1				
10	1	198208-87280	SEAL, AIR CON PANEL	1	1	1	1				
11	1	198208-87450	PLATE, SEAL AIR CON	1	1	1	1				
12	1	198463-87630	KNOB, FILTER	4	4	4	4				
13	1	1A7030-87720	STAY, FILTER	1	1	1	1				
14	1	198287-88000	HEATER SYSTEM KIT,	1	1	1	1				
15	2	198287-88030	HEATER ASSY, B	1	1	1	1				
16	3	1E8545-80080	KNOB,CONTROL	1	1	1	1				
17	3	1A7030-86980	RELEY, AIR-CON	1	1	1	1				
18	3	1A7030-87040	SCREW, TAPPING 5X20	8	8	8	8				
19	3	198208-87410	GRILL ASSY, AIR CON	2	2	2	2				
20	3	198208-87740	CABLE, M/V	1	1	1	1				
21	3	198208-87760	CABLE, MIX	1	1	1	1				
22	3	198208-87770	CABLE, FACE L	1	1	1	1				
23	3	198208-87780	CABLE, FACE R	1	1	1	1				
24	3	1A7030-87790	CLAMP	1	1	1	1				
25	3	198208-87810	VALVE ASSY, WATER	1	1	1	1				
26	3	1A7030-87970	FILTER	1	1	1	1				
27	3	1A7030-87990	FILTER,	1	1	1	1				
28	3	198287-88150	CONTROL ASSY,	1	1	1	1				
29	4	1E8545-80080	KNOB,CONTROL	2	2	2	2				
30	4	1A7030-87790	CLAMP	4	4	4	4				
31	4	198287-88180	SWITCH ASSY, HEATER	1	1	1	1				
32	3	198208-88630	HOSE, HEATER W/V-E/G	1	1	1	1				
33	3	198208-88640	HOSE, HEATER E/G-A/U	1	1	1	1				
34	3	198208-88650	HOSE, HEATER A/U-W/V	1	1	1	1				
35	3	1A7030-88710	CLIP,HOSE	4	4	4	4				
36	2	198287-88200	HEATER UNIT ASSY,	1	1	1	1				
37	3	1A7030-87240	CORE,HEATER	1	1	1	1				
38	3	1A7030-87250	RESISTOR	1	1	1	1				
39	3	1A7030-87270	LEVER ASSY, MIX DOOR	3	3	3	3				
40	3	1A7030-87280	LEVER ASSY, MODE DOO	1	1	1	1				
41	3	1A7030-87290	SHAFT	1	1	1	1				
42	3	1A7030-87300	DOOR ASSY	4	4	4	4				
43	3	1A7030-87310	LEVER ASSY, MIX LINK	1	1	1	1				
44	3	1A7030-87330	SHAFT	1	1	1	1				
45	3	1A7030-87340	SCREW, TAPPING WASHE	1	1	1	1				
46	3	1A7030-87350	FAN, BLOWER	1	1	1	1				
47	3	1A7030-87360	NUT	1	1	1	1				
48	3	1A7030-88070	WASHER	1	1	1	1				
49	3	198287-88080	MOTOR ASSY, BLOWER	1	1	1	1				
50	3	1A7030-88090	SCREW, TAPPING WASHE	3	3	3	3				
51	3	1A7030-88130	SCREW,TAPPING	22	22	22	22				

N:Old $\frac{Yes}{No}$ New, Q:Old $\frac{No}{Yes}$ New, R:Old $\frac{Yes}{Yes}$ New, S:Old $\frac{No}{No}$ New, W:Add, Z:Discontinued, F:Interchangeable by set, K:Q'ty Change

++ CONTINUE ++

(C)Copy Rights YANMAR CO.,LTD.

Fig.117. HEATER



(A)=EF227EH
(B)=EF230EH
(C)=EF233EH

(D)=EF235EH
(E)=
(F)=

REF.	LEV.	PARTS NO.	DESCRIPTION	QTY						I	R
				(A)	(B)	(C)	(D)	(E)	(F)		
52	3	1A7030-88140	GASKET	2	2	2	2				
53	3	1A7030-88150	CLAMP, LOCK D 6	3	3	3	3				
54	3	1A7030-88170	NUT, SPEED GRILL	8	8	8	8				
55	3	198287-88210	CASE, LOWER	1	1	1	1				
56	3	198287-88220	CASE, UPPER	1	1	1	1				
57	3	1A7030-88250	CLAMP	1	1	1	1				
58	2	1A7030-88710	CLIP,HOSE	4	4	4	4				
59	1	1A7030-88680	FILTER	1	1	1	1				
60	1	22157-060000	WASHER 6	5	5	5	5				
61	1	22857-400100	SCREW 4X10	2	2	2	2				
62	1	26106-060122	BOLT M 6X 12 PLATED	2	2	2	2				
63	1	26106-060162	BOLT M 6X 16 PLATED	1	1	1	1				
64	1	26106-060202	BOLT M 6X 20 PLATED	5	5	5	5				
65	1	26106-080162	BOLT M 8X 16 PLATED	2	2	2	2				
66	1	26106-080202	BOLT M 8X 20 PLATED	2	2	2	2				
67	1	26559-050162	SCREW	2	2	2	2				

Fig.118. ACCESSORIES

0CNP4-G32200 118. ACCESSORIES

(A)=EF227EH
(B)=EF230EH
(C)=EF233EH

(D)=EF235EH
(E)=
(F)=

REF.	LEV.	PARTS NO.	DESCRIPTION	Q'TY						I	R
				(A)	(B)	(C)	(D)	(E)	(F)		
1	1	41812-011980	MANUAL, OPERATOR	1	1	1	1				

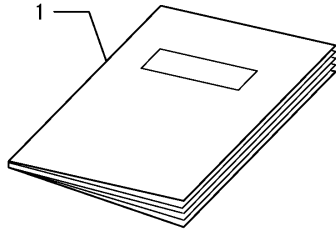
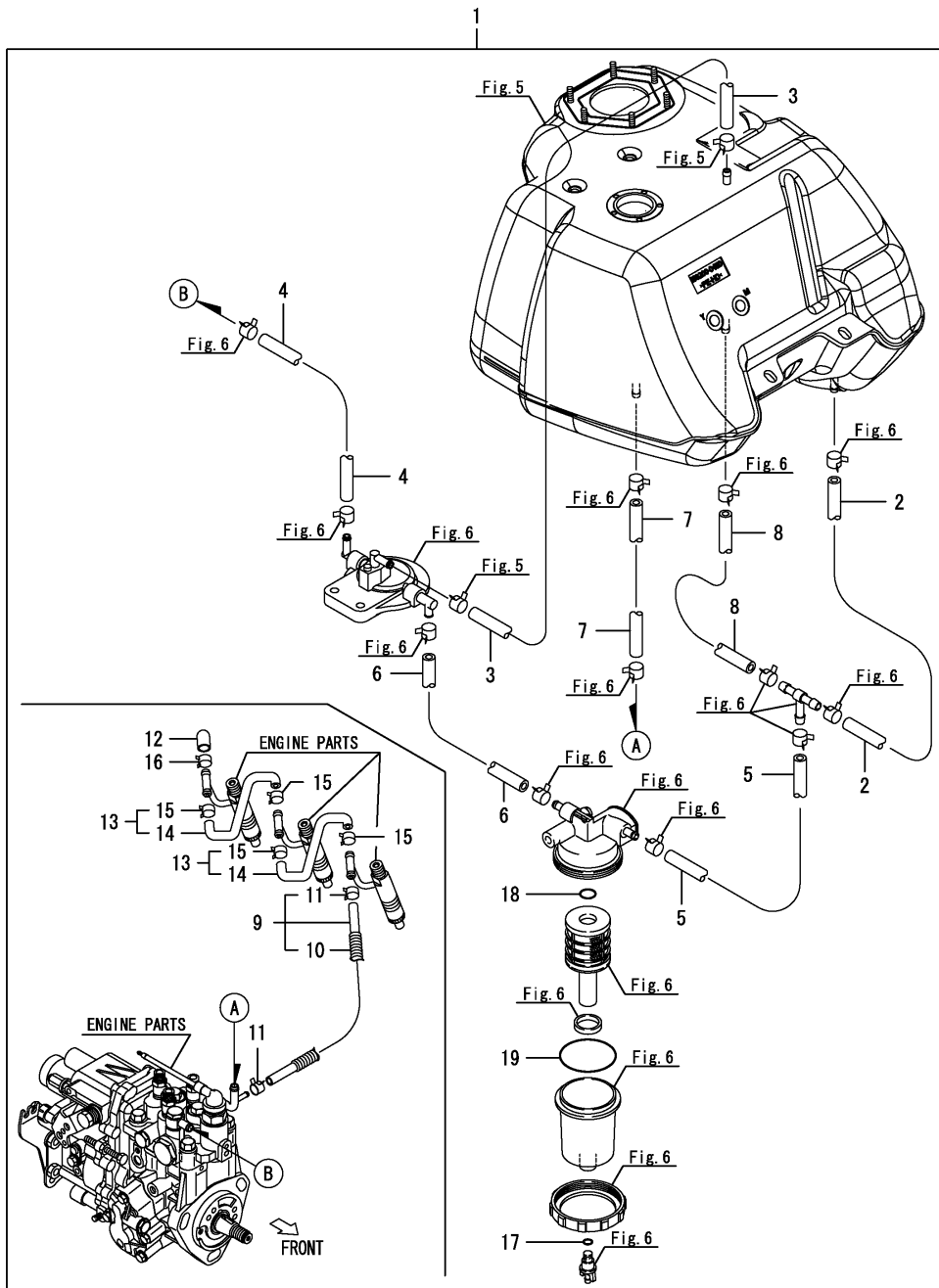


Fig.120. FUEL HOSE(ROPS)

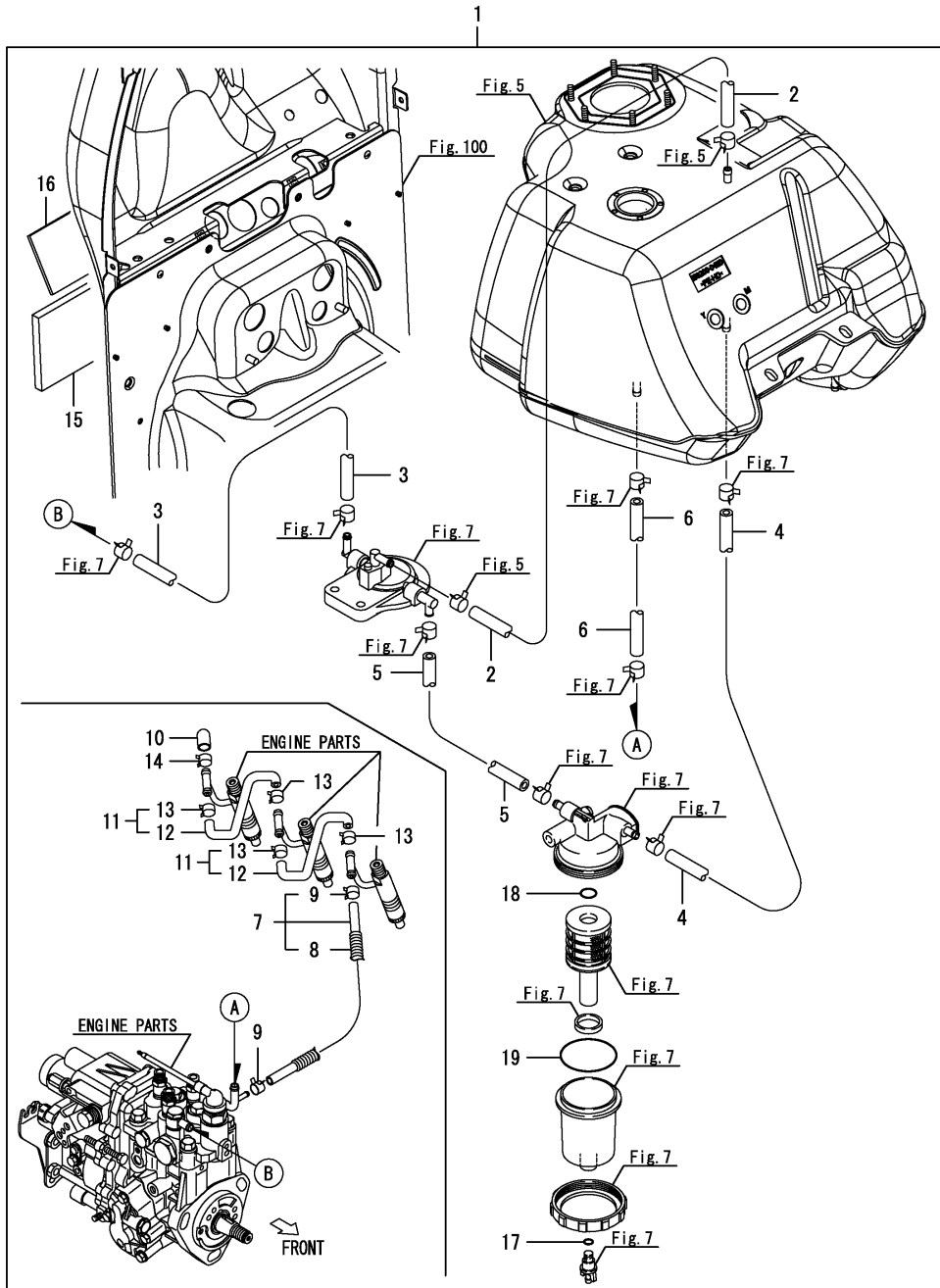
(A)=EF227EH
(B)=EF230EH
(C)=EF233EH

(D)=EF235EH
(E)=
(F)=



REF.	LEV.	PARTS NO.	DESCRIPTION	QTY						I	R
				(A)	(B)	(C)	(D)	(E)	(F)		
1	1	198280-04250	HOSE KIT, FUEL	1	1	1	1				
2	2	198280-04260	HOSE, FUEL	2	2	2	2				
3	2	198280-04270	HOSE, AIR VENT	1	1	1	1				
4	2	198280-04280	HOSE, FUEL	1	1	1	1				
5	2	198280-04290	HOSE, FUEL	1	1	1	1				
6	2	198280-04300	HOSE, FUEL	1	1	1	1				
7	2	198280-04310	HOSE, FUEL	1	1	1	1				
8	2	198280-04320	HOSE, FUEL	1	1	1	1				
9	2	129268-59551	PIPE ASSY, RETURN	1	1	1	1				
10	3	129237-59120	PROTECTOR,HOSE	1	1	1	1				
11	3	124060-77680	CLAMP 10	2	2	2	2				
12	2	119593-59581	CAP	1	1	1	1				
13	2	129486-59581	HOSE, FUEL RETURN	2	2	2	2				
14	3	129486-59521	PIPE, FUEL RETURN	2	2	2	2				
15	3	124060-77680	CLAMP 10	4	4	4	4				
16	2	124060-77680	CLAMP 10	1	1	1	1				
17	2	24316-000070	O-RING 4D P-7.0	1	1	1	1				
18	2	24316-000160	O-RING 4D P-16.0	1	1	1	1				
19	2	24326-000650	O-RING, 4D G65	1	1	1	1				

Fig.121. FUEL HOSE(CABIN)



(A)=EF227EH
(B)=EF230EH
(C)=EF233EH

(D)=EF235EH
(E)=
(F)=

REF.	LEV.	PARTS NO.	DESCRIPTION	QTY						I	R
				(A)	(B)	(C)	(D)	(E)	(F)		
1	1	198287-04250	HOSE KIT, FUEL	1	1	1	1				
2	2	198280-04270	HOSE, AIR VENT	1	1	1	1				
3	2	198280-04280	HOSE, FUEL	1	1	1	1				
4	2	198280-04290	HOSE, FUEL	1	1	1	1				
5	2	198280-04300	HOSE, FUEL	1	1	1	1				
6	2	198280-04310	HOSE, FUEL	1	1	1	1				
7	2	129268-59551	PIPE ASSY, RETURN	1	1	1	1				
8	3	129237-59120	PROTECTOR,HOSE	1	1	1	1				
9	3	124060-77680	CLAMP 10	2	2	2	2				
10	2	119593-59581	CAP	1	1	1	1				
11	2	129486-59581	HOSE, FUEL RETURN	2	2	2	2				
12	3	129486-59521	PIPE, FUEL RETURN	2	2	2	2				
13	3	124060-77680	CLAMP 10	4	4	4	4				
14	2	124060-77680	CLAMP 10	1	1	1	1				
15	2	198208-84570	SEAL, AIRCUT	1	1	1	1				
16	2	198208-84620	COVER, FUEL HOSE	1	1	1	1				
17	2	24316-000070	O-RING 4D P-7.0	1	1	1	1				
18	2	24316-000160	O-RING 4D P-16.0	1	1	1	1				
19	2	24326-000650	O-RING, 4D G65	1	1	1	1				

Part Number Index

All parts are stipulated in the order of part numbers.

(Depending on the area in which the part is used.)

This index will display the location of the part according to each part number.

PARTS No. INDEX

PARTS No.	Fig.	Ref.No.
119593-59581	120	12
	121	10
119629-59910	6	5
119650-77910	1	3
119650-77930	1	5
119802-55700	6	16
	7	17
119802-55710	6	18
	7	19
119802-55800	6	21
	7	22
119808-12520	8	6
		26
119808-12540	8	9
		30
119852-55611	6	15
	7	16
119852-77910	1	6
119866-12530	8	27
119866-12540	8	10
121450-44531	1	24
121470-44581	1	27
124060-77680	120	11
		15
		16
	121	9
		13
		14
124450-44560	1	25
124550-77030	72	22
	73	22
124756-77040	72	23
		24
	73	23
		24
124766-59050	1	32
		33
	5	18
	6	4
	7	6
129051-12530	8	7
		28
129052-13550	4	3
129052-77920	1	4
129055-44501	1	8
129100-55690	6	17
	7	18
129150-49081	1	29
129150-49101	1	28
129237-59120	120	10

PARTS No.	Fig.	Ref.No.
129237-59120	121	8
129263-44510	1	22
129268-59551	120	9
	121	7
129418-12530	8	8
		29
129461-59580	7	7
129486-59521	120	14
	121	12
129486-59581	120	13
	121	11
129612-12650	8	12
		32
1682B4-01020	64	4
172010-07810	114	16
172112-77360	64	26
172156-72330	23	21
172156-72340	23	22
172165-71200	27	2
172510-74410	65	20
172510-74440	65	21
172510-74450	65	22
172510-74530	64	19
174501-07060	82	2
174840-61680	22	16
174845-27700	37	3
	42	17
175022-49730	1	31
	69	9
177432-03450	19	1
178073-01200	63	13
	64	5
178073-04310	64	7
178076-02230	63	7
178076-04610	63	8
178076-07210	44	1
178076-12400	63	9
178076-26100	64	8
178076-26110	64	9
178076-26120	64	10
178076-26130	64	11
178076-26140	64	12
178076-26160	64	13
178076-26170	64	14
178076-26180	64	15
178076-26190	64	16
178076-40010	63	12
178076-40100	63	20
178076-40110	63	21
178076-40200	63	14

PARTS No.	Fig.	Ref.No.
178076-40250	63	22
178076-40300	63	23
178076-40400	63	24
178076-40410	63	25
178076-40500	63	26
178076-40530	63	27
178076-40600	63	28
194065-17470	23	15
		20
194080-74621	97	6
194080-74631	97	7
194130-44480	62	8
194130-47851	86	2
194130-71410	95	1
	96	1
194136-12880	21	4
	55	4
194145-27450	39	2
194145-64430	105	1
194145-71600	94	5
194145-71700	94	6
194150-22480	40	2
		8
194150-45320	63	32
194150-71230	94	11
194150-72460	95	7
	96	3
194151-04260	82	51
194151-36670	19	12
194170-45220	63	29
194170-45230	63	30
		31
194170-45310	63	16
194170-45321	63	33
194170-45350	63	35
194170-45360	63	36
194170-45420	63	18
194170-45430	63	37
194170-45520	63	38
194170-45530	63	39
194170-45550	63	40
194170-45710	63	43
194170-45720	63	44
194170-45730	63	45
194170-45740	63	46
194170-47440	68	10
194170-51210	6	2
	25	6
	72	11
	73	11

PARTS No.	Fig.	Ref.No.
194180-12470	23	1
194180-51640	61	17
	74	5
194180-61980	1	39
194181-11560	10	6
194190-26840	43	9
194191-28350	31	11
194197-51630	111	4
194197-56350	82	17
194240-65441	92	1
194242-51660	72	12
	73	12
	75	1
	114	18
194250-11140	11	3
194250-32530	35	18
194250-47490	40	5
		11
194250-51420	72	19
	73	19
194274-13580	56	1
	89	16
	100	10
194275-45340	63	34
194275-71500	94	4
194279-14220	54	7
194300-25790	43	3
194300-31550	15	4
194300-31560	15	5
194300-31610	15	6
194300-31620	15	7
194300-33200	52	4
194310-25100	30	1
	32	3
194310-46350	63	47
194310-46380	63	48
194312-27770	57	15
194312-27780	57	2
	58	4
194312-46630	63	51
194321-17870	66	1
	71	1
194327-45630	64	17
194327-45640	63	41
194327-45650	63	42
	64	18
194330-62530	57	20
194370-26350	34	8
194420-33150	52	2
194420-61640	82	30

PARTS No. INDEX

PARTS No.	Fig.	Ref.No.
194420-61640	82	31
194421-13640	15	10
194430-24190	32	2
194430-25460	34	3
194440-25810	43	4
194440-32580	54	1
194440-51620	6	3
	7	5
	72	20
	73	20
194440-51630	74	4
	78	3
	111	5
194447-13860	34	1
		2
	35	1
		2
		3
194450-12551	23	10
194450-12552	23	3
194450-12561	23	4
		11
194450-21980	54	8
194451-11960	10	2
194464-01190	22	26
	49	1
194464-52190	75	21
		22
194515-25530	43	1
194515-25540	43	2
194515-31610	50	4
194515-31850	50	7
194521-41570	60	2
		7
194525-31520	50	3
194555-25880	31	8
194555-26520	27	8
194555-42280	61	8
194555-47350	68	7
194555-65130	82	34
194555-77120	63	19
194556-13790	20	1
194556-42220	63	15
194630-43230	63	5
194640-46410	63	49
194640-46420	63	50
194641-11630	10	7
194680-27540	41	1
194680-51670	76	5
194697-28270	102	1

PARTS No.	Fig.	Ref.No.
194697-29580	46	12
194697-47150	101	1
194697-62560	87	7
194730-57220	13	4
		10
194740-00160	22	5
194765-46980	63	73
194820-27370	46	8
194850-13690	10	4 -1
194850-26330	32	31
	43	5
194850-26340	43	6
194850-26360	43	7
194850-26370	43	8
194850-26850	35	16
194850-26870	35	17
194850-32340	50	14
194850-42180	63	1
194850-42190	63	2
194850-42500	61	9
194850-49290	63	53
	66	12
194881-12650	20	10
	54	6
194940-47210	68	2
194940-47220	68	4
194940-52110	75	11
194940-52300	75	23
194940-61790	79	11
	117	1
194940-65590	82	35
194990-20170	46	6
194990-22050	68	1
194990-22120	76	1
		19
	77	1
		16
	78	1
	112	1
	116	1
194990-22130	58	1
	72	14
	73	14
	74	1
		2
	76	2
	77	2
	78	2
	82	3
	83	4

PARTS No.	Fig.	Ref.No.
194990-22130	113	1
	114	1
		2
194990-22140	4	4
	22	15
	46	1
	57	1
	72	15
	73	15
	76	3
	77	3
	82	4
		5
		52
		53
	85	1
		5
	88	1
		2
		3
	91	1
	108	1
		2
194990-22150	81	1
194990-22830	13	9
194990-22840	13	3
194990-85561	67	9
195080-15060	94	1
195230-17260	98	2
195616-24930	111	1
195715-22590	114	17
197810-84840	89	6
	108	11
197820-84740	102	22
	103	16
197820-84750	102	23
	103	17
197820-88750	112	3
197820-88770	112	4
197820-88780	112	5
197821-85430	113	3
197830-85490	111	9
198010-41211	69	1
198010-85810	104	4
		5
	117	8
198036-65470	92	2
198071-01160	3	5
198071-13760	19	4
198071-14650	16	5

PARTS No.	Fig.	Ref.No.
198071-24350	28	7
198071-37510	58	8
198071-43320	62	2
198071-43330	62	3
198071-48390	71	7
198071-52190	75	16
198071-58810	3	2
	111	6
198071-61890	84	4
		10
	108	5
	117	2
198071-62900	89	9
	100	3
198071-65610	82	36
198071-74970	95	8
	96	4
198072-17550	24	1 A
198072-18320	8	15
	94	2
198072-27650	39	7
198072-27880	68	34
198072-28260	43	12
198072-48340	69	5
198072-60590	84	1
		6
198092-71720	8	16
	94	14
198092-71750	94	7
198093-82510	82	37
	91	5
	101	19
198093-83751	102	20
	103	15
198093-84810	9	18
	89	5
	100	20
	111	8
	117	7
198093-85650	78	7
198094-82550	102	4
	103	3
198094-83640	103	9
198094-85710	87	8
	105	5
		13
198094-86060	114	20
198094-86410	113	4
198094-86560	114	21
198119-27150	39	1

PARTS No. INDEX

PARTS No.	Fig.	Ref.No.
198119-27570	39	4
198119-48310	69	26
198121-28160	40	4
198121-28380	41	7
198121-47110	86	1
198121-63560	85	8
198121-74720	97	9
198124-65630	110	3
198127-86710	114	24
198129-27281	48	1
198129-27290	46	7
198129-29300	71	3
198129-29310	71	4
198133-15700	22	20
198133-15740	22	21
198133-15780	22	22
198133-22510	58	2
198133-22530	58	3
198133-46890	67	3
198133-51350	74	13
	111	3
198133-61950	82	32
198133-72670	23	18
		23
198146-86120	111	10
198153-82470	101	16
198153-82480	101	17
198153-83710	102	17
	103	12
198153-83720	102	18
	103	13
198153-83730	102	19
	103	14
	106	12
198162-61370	106	12
198163-52110	81	3
198163-52120	81	4
198163-52150	81	2
198163-65310	93	1
198163-65350	93	2
198163-65930	93	3
198163-65940	93	4
198163-85630	106	6
	107	3
198165-46130	65	2
198165-46140	65	3
198165-46150	65	4
198165-46200	65	7
198165-46210	65	8
198165-46220	65	9
198165-46310	65	10

PARTS No.	Fig.	Ref.No.
198165-46320	65	11
198165-46330	65	12
198165-46340	65	13
198165-46350	65	14
198165-46360	65	15
198165-46370	65	16
198165-46410	65	17
198165-46420	65	18
198165-46450	65	19
198165-48560	63	52
198165-52600	74	6
198165-65590	92	6
198172-11640	10	3 -1
198172-41110	60	1
198190-13240	10	10
198196-34140	54	3
198200-00610	1	11
198200-01110	22	6
198200-01150	3	1
198200-01170	22	1
198200-01260	22	7
198200-01440	1	13
198200-01570	83	1
198200-01580	83	2
198200-01600	83	3
198200-03110	4	1
198200-04020	5	1
198200-04030	5	2
198200-04040	5	3
198200-04061	5	4
198200-04070	5	5
198200-04080	5	6
198200-04090	5	7
198200-04101	5	8
198200-04120	5	13
198200-04130	5	14
198200-04210	5	15
198200-04251	82	1
198200-04260	5	16
198200-04270	5	17
198200-06010	8	1
198200-06150	8	2
198200-11250	6	13
	7	14
198200-11351	1	21
198200-13050	10	1
198200-13060	10	5
198200-13061	10	5 -1
198200-13170	14	1
198200-13200	15	1

PARTS No.	Fig.	Ref.No.
198200-13210	15	2
198200-13220	15	3
198200-13250	15	9
198200-13280	16	1
198200-13320	10	11
198200-13330	10	12
198200-13350	10	10 -1
198200-13520	17	1
198200-13570	17	2
198200-13580	17	3
198200-13610	18	1
198200-13730	19	2
198200-13750	19	3
198200-13760	19	5
198200-13780	19	6
198200-13791	19	7
198200-13810	19	27
198200-13820	19	28
198200-13830	19	29
198200-13911	19	8
198200-14110	20	2
198200-14120	20	3
198200-14130	20	4
198200-14210	20	5
198200-14670	16	6
198200-14741	21	2
198200-14910	16	7
198200-15180	22	9
198200-15250	22	14
198200-17230	18	2
198200-17300	23	2
198200-17340	23	5
198200-17410	23	7
198200-17440	23	9
198200-17450	23	14
198200-17470	23	16
198200-17500	24	1
198200-17750	25	1
198200-17830	25	4
198200-17910	25	5
198200-17950	9	4
198200-19130	75	14
198200-21140	26	2
198200-24120	28	4
198200-24170	28	9
198200-24190	28	11
198200-25490	31	1
198200-27810	42	18
198200-27811	42	18 -1
198200-27910	37	4

PARTS No.	Fig.	Ref.No.
198200-27910	42	19
198200-27911	37	4 -1
	42	19 -1
198200-28250	31	9
198200-28322	43	14
198200-28340	43	16
198200-28390	43	18
198200-28450	43	19
198200-31510	50	2
198200-31810	50	5
198200-31820	50	6
198200-32110	50	8
198200-32320	50	13
198200-32600	51	1
198200-32630	51	3
198200-32660	51	4
198200-32730	51	6
198200-33111	52	1
198200-33150	52	3
198200-33250	52	10
198200-33410	53	1
198200-33420	53	2
198200-33510	53	4
198200-34130	54	9
198200-34741	55	2
198200-36310	56	3
198200-36340	56	4
198200-36380	56	7
198200-36410	56	8
198200-36421	56	9
198200-37270	57	4
198200-37370	58	6
198200-37460	58	7
198200-37610	57	13
198200-37640	47	3
198200-37660	57	17
198200-37700	58	9
198200-37740	58	13
198200-37840	58	14
198200-42100	61	1
198200-42130	61	2
198200-42140	61	3
198200-42150	61	4
198200-42180	61	5
198200-42190	61	6
198200-42710	61	10
198200-43110	63	3
198200-43210	63	4
198200-43310	62	1
198200-43410	62	4

PARTS No. INDEX

PARTS No.	Fig.	Ref.No.
198200-44110	62	5
198200-44210	62	6
198200-44420	62	7
198200-45100	63	6
198200-45150	63	72
198200-45510	64	6
198200-47110	68	35
198200-47411	68	8
198200-47460	68	11
198200-47510	68	13
198200-47650	68	19
198200-47810	68	36
198200-48110	69	2
198200-48140	63	74
198200-48160	69	4
198200-48350	69	27
198200-48810	69	7
198200-51510	72	29
	73	29
198200-52140	75	2
198200-52520	72	9
	73	9
198200-53210	82	13
198200-53230	82	15
198200-56050	79	6
198200-56060	79	8
198200-56600	5	10
198200-56630	5	11
198200-60910	82	21
198200-60990	83	5
198200-61152	82	22
198200-61162	82	23
198200-61250	82	54
198200-61320	82	55
198200-61340	82	26
198200-61400	82	63
198200-61410	82	27
198200-61420	82	28
198200-61430	82	29
198200-61490	82	56
198200-61530	82	58
198200-61550	82	64
198200-61580	82	59
198200-61620	84	3
198200-61670	84	9
198200-61930	69	31
198200-61950	1	38
198200-61980	1	40
198200-62100	85	2
198200-62110	85	3

PARTS No.	Fig.	Ref.No.
198200-62300	89	2
198200-62320	87	1
198200-62560	89	7
	100	1
198200-62910	89	10
	100	4
198200-62970	89	11
	100	5
198200-62990	89	12
198200-63620	84	5
	86	6
198200-63640	86	7
198200-63660	86	8
198200-63670	99	1
198200-65010	82	69
198200-72101	95	2
198200-72210	95	3
198200-72250	95	4
198200-72300	96	2
198200-72451	95	5
198200-73150	97	15
198200-73210	97	16
198200-85400	106	4
	107	1
198204-01410	1	12
198204-01510	1	17
198206-34111	54	2
198206-60950	1	36
198208-01451	1	14
198208-01480	1	16
198208-01510	1	48
198208-03111	4	8
198208-04210	5	28
198208-06010	8	22
198208-11210	9	10
198208-11220	9	11
198208-11310	9	12
	10	16
198208-28311	43	13
198208-48110	69	23
198208-48160	69	24
198208-61930	69	33
198208-62270	88	8
198208-62290	88	9
198208-62810	105	7
198208-62920	105	9
198208-62990	100	6
198208-65250	82	33 -1
198208-65260	82	70
198208-65790	110	4

PARTS No.	Fig.	Ref.No.
198208-65890	92	20
198208-80950	117	3
198208-81190	117	4
198208-82110	101	2
198208-82120	101	3
198208-82200	101	5
198208-82220	101	6
198208-82250	101	8
198208-82260	101	9
198208-82320	101	12
198208-83120	102	9
198208-83130	102	10
198208-83630	103	8
198208-83640	102	15
198208-83650	102	16
	103	11
198208-84170	117	5
198208-84190	105	2
198208-84260	112	2
198208-84570	105	3
	121	15
198208-84590	84	11
198208-84620	121	16
198208-85570	108	16
198208-85580	108	18
198208-85590	105	4
198208-85600	108	20
198208-85610	108	21
198208-85620	108	23
198208-85630	108	25
198208-87280	117	10
198208-87360	115	1
198208-87370	115	5
198208-87380	115	3
198208-87390	115	7
198208-87410	117	19
198208-87450	117	11
198208-87560	116	2
198208-87610	116	3
198208-87740	117	20
198208-87760	117	21
198208-87770	117	22
198208-87780	117	23
198208-87810	117	25
198208-87840	116	5
198208-87850	116	6
198208-87860	116	7
198208-87870	116	8
198208-88630	117	32
198208-88640	117	33

PARTS No.	Fig.	Ref.No.
198208-88650	117	34
198208-89530	2	3
198220-12310	13	1
198220-37900	58	15
198220-46500	66	5
198220-48140	69	3
198220-48750	71	11
198220-51870	72	21
	73	21
198220-52180	1	1
198220-62150	108	6
		7
198220-63340	109	1
198220-71100	94	3
198220-71410	94	12
198221-13410	32	1
198223-46250	66	3
198223-46280	66	4
198223-52150	75	3
		18
198230-61560	111	7
198230-61960	82	60
198240-12590	13	6
		12
198240-18120	13	8
198240-18130	13	2
198240-48850	69	8
198245-51210	25	7
198253-75430	98	10
198255-24460	28	13
198255-82640	101	27
	102	5
198255-82650	101	29
	102	6
	103	4
198255-82660	101	31
	102	7
	103	5
198255-82690	101	32
198255-82700	101	33
198255-83510	108	10
198255-83550	88	11
	101	40
198255-86250	112	8
	119	4
198255-86270	112	9
	119	5
198265-48200	64	1
198268-82270	101	11
	102	3

PARTS No. INDEX

PARTS No.	Fig.	Ref.No.
198268-82270	103	2
198269-52190	75	21 -1
		22 -1
198280-01470	1	15
198280-04250	120	1
198280-04260	120	2
198280-04270	120	3
	121	2
198280-04280	120	4
	121	3
198280-04290	120	5
	121	4
198280-04300	120	6
	121	5
198280-04310	120	7
	121	6
198280-04320	120	8
198280-04330	7	1
198280-04370	7	2
198280-04410	7	3
198280-05510	4	2
198280-06200	8	3
198280-06300	8	4
198280-06410	8	14
198280-11100	9	1
198280-11240	11	2
198280-11250	11	4
198280-11370	6	14
	7	15
198280-11710	11	1
198280-11810	12	1
198280-11830	12	2
198280-11840	12	3
198280-13310	16	2
198280-13920	19	9
198280-14630	16	4
198280-14740	21	1
198280-14760	21	3
198280-15090	22	4
198280-15100	22	8
198280-17810	25	2
198280-17820	25	3
198280-21110	26	1
198280-21170	26	3
198280-21250	27	1
198280-21520	26	4
198280-22110	27	7
198280-24100	28	1
198280-24150	28	5
198280-24180	28	10

PARTS No.	Fig.	Ref.No.
198280-24250	28	12
198280-24300	29	2
198280-24340	45	1
198280-24350	45	2
198280-24380	29	6
198280-24390	29	7
198280-24510	28	14
198280-25150	45	3
198280-25420	30	2
198280-25520	31	2
198280-25530	31	3
198280-25540	31	4
198280-25550	31	5
198280-25590	31	6
198280-25650	30	3
198280-25660	30	4
198280-25810	31	7
198280-26010	32	4
198280-26020	32	5
198280-26030	32	6
198280-26040	32	28
198280-26050	32	29
198280-26090	32	30
198280-26250	33	1
198280-26310	34	4
198280-26320	34	5
198280-26330	34	6
198280-26340	34	7
198280-26350	34	9
198280-26410	35	4
198280-26420	35	5
198280-26430	35	6
198280-26440	35	7
198280-26450	35	8
198280-26510	35	9
198280-26520	35	10
198280-26530	35	11
198280-26540	35	12
198280-26550	35	13
198280-26560	35	14
198280-26580	35	15
198280-26600	36	1
198280-26610	37	1
198280-26710	36	4
198280-26900	28	15
198280-27220	45	48
198280-27400	49	2
198280-27410	49	3
198280-27440	49	4
198280-27470	47	1

PARTS No.	Fig.	Ref.No.
198280-27490	47	2
198280-27500	49	6
198280-27510	49	7
198280-27520	39	3
198280-27570	39	5
198280-27580	39	6
198280-27610	42	2
198280-27650	40	1
198280-27660	40	3
198280-27710	41	2
198280-27740	41	3
198280-27770	41	4
198280-27780	41	5
198280-27790	41	6
198280-27800	42	1
198280-27810	42	4
198280-27860	42	5
198280-27870	42	6
198280-27880	42	7
198280-27960	40	7
198280-27970	40	9
198280-28000	40	10
198280-28160	38	1
198280-28190	43	10
198280-28260	31	10
198280-28350	43	15
198280-28530	44	2
198280-28550	44	1 -1
198280-28700	42	9
198280-29000	48	2
198280-29030	45	49
198280-29040	45	50
198280-29080	48	3
198280-29150	48	7
198280-29200	48	8
198280-29250	46	2
198280-29340	46	3
198280-29390	46	5
198280-29400	46	9
198280-29430	46	11
198280-29490	48	10
198280-29700	46	13
198280-29810	48	13
198280-29830	45	23
198280-29840	45	33
198280-29850	45	34
198280-29860	45	35
198280-29870	45	36
198280-29880	45	26
198280-29890	45	37

PARTS No.	Fig.	Ref.No.
198280-29900	45	38
198280-29910	45	39
198280-29920	45	40
198280-29930	45	27
198280-29940	45	41
198280-29950	45	42
198280-29960	45	28
198280-31400	50	1
198280-33210	52	5
198280-34720	55	1
198280-34760	55	3
198280-36350	56	5
198280-36360	56	6
198280-37200	57	3
198280-37220	58	5
198280-37300	57	6
198280-37400	57	7
198280-37550	57	9
198280-37710	58	11
198280-38510	59	1
198280-38710	59	2
198280-38810	59	5
198280-38840	59	6
198280-38850	59	7
198280-38910	59	8
198280-38950	59	9
198280-41150	60	6
198280-42250	61	7
198280-42810	61	11
198280-46110	65	1
198280-46500	66	2
198280-46501	66	2 -1
198280-46502	66	2 -2
198280-46510	66	6
198280-46560	66	7
198280-46610	66	8
198280-46611	66	8 -1
198280-46660	66	9
198280-46710	66	10
198280-46750	66	11
198280-46810	67	1
198280-46870	67	2
198280-46910	67	4
198280-46940	67	6
198280-47210	68	3
198280-47310	68	5
198280-47430	68	9
198280-47500	68	12
198280-47540	68	14
198280-47550	68	15

PARTS No. INDEX

PARTS No.	Fig.	Ref.No.
198280-47580	68	17
198280-48300	71	2
198280-48410	71	8
198280-48500	64	3
198280-48610	71	9
198280-48650	71	10
198280-48950	71	5
198280-48960	71	12
198280-49100	70	1
198280-51110	72	16
	73	16
198280-51130	74	3
198280-51131	74	3 -1
198280-51150	72	4
198280-51170	72	1
	73	1
198280-51180	74	11
198280-51190	74	12
198280-51200	72	10
	73	10
198280-51410	72	17
	73	17
198280-51540	72	28
	73	28
198280-51900	72	28 -1
	73	28 -1
198280-52130	75	3 -1
198280-52160	75	20
198280-52200	75	5
198280-52210	75	6
198280-52600	74	6 -1
198280-53150	82	9
198280-53170	82	10
198280-53180	82	11
198280-53190	82	12
198280-53210	82	14
198280-53300	76	6
	77	5
198280-53330	76	8
	77	7
198280-53350	76	9
	77	8
198280-53360	76	10
198280-53400	76	11
	77	9
198280-53510	76	14
	77	12
198280-53520	76	15
	77	13
198280-53710	78	6

PARTS No.	Fig.	Ref.No.
198280-56010	79	1
198280-56011	79	1 -1
198280-56012	79	1 -2
198280-56013	79	1 -3
198280-57340	81	5
198280-58100	75	28
198280-60710	1	34
198280-60750	1	35
198280-61000	83	6
198280-61010	83	7
198280-61210	82	24
198280-61260	82	25
198280-61500	82	57
198280-61600	84	2
198280-61910	69	30
198280-62210	85	6
198280-62211	85	6 -1
198280-62212	85	6 -2
198280-62220	85	7
198280-62221	85	7 -1
198280-62250	76	20
	77	17
198280-62260	76	20 -1
	77	17 -1
198280-62270	76	21
	77	18
198280-62330	87	2
198280-62350	87	3
198280-62360	87	4
198280-62490	89	3
198280-62630	89	17
	100	11
198280-62640	89	18
	100	12
198280-62850	89	19
	100	13
198280-62860	89	20
	100	14
198280-62910	90	1
198280-63110	90	2
198280-63500	86	4
198280-63600	86	5
198280-64120	91	3
198280-64150	91	4
198280-65110	92	10
198280-65120	92	11
198280-65160	92	18
198280-65170	92	19
198280-65300	92	25
198280-65510	92	27

PARTS No.	Fig.	Ref.No.
198280-65570	92	21
198280-65580	92	5
198280-65610	93	7
198280-65630	92	28
198280-65640	92	29
198280-65660	92	30
198280-65670	92	31
198280-65680	92	32
198280-65710	92	7
198280-65770	92	8
198280-65780	92	33
198280-65790	92	9
198280-71710	94	13
198280-73100	97	2
198280-73170	28	18
198280-73250	28	19
198280-73500	97	3
198280-74100	97	4
198280-74550	97	5
198280-74800	97	10
198280-75200	98	3
198280-75210	98	4
198280-75250	98	5
198280-75260	98	6
198280-75700	98	1
198280-75750	98	11
198280-85100	106	1
198280-85150	106	2
198280-85160	106	3
198280-85410	106	5
	107	2
198280-85710	106	7
198280-89500	2	2
198282-01510	1	48 -1
198282-65110	92	12
198282-65120	92	13
198282-65570	92	22
198282-85800	107	4
198282-85820	107	5
198282-85830	107	6
198282-85900	107	7
198282-85950	107	8
198283-13050	10	1 -1
198283-13051	10	1 -2
198283-13330	10	12 -1
198283-13380	10	2 -1
198283-60100	82	71
198284-65110	92	14
198284-65120	92	15
198284-65570	92	23

PARTS No.	Fig.	Ref.No.
198287-04250	121	1
198287-06200	8	23
198287-06300	8	24
198287-11100	9	7
198287-11210	9	15
198287-11230	9	16
198287-26110	32	7
198287-26120	32	8
198287-26130	32	9
198287-26140	32	10
198287-26150	32	11
198287-26160	32	12
198287-26170	32	13
198287-26180	32	14
198287-26190	32	15
198287-26200	32	16
198287-26210	32	17
198287-26220	32	18
198287-26230	32	19
198287-26240	32	20
198287-26250	32	21
198287-26260	32	22
198287-26270	32	23
198287-26280	32	24
198287-51150	73	4
198287-51250	111	2
198287-51270	114	3
198287-62210	88	4
198287-62220	88	5
198287-62230	88	6
198287-62240	88	7
198287-62360	87	5
198287-62370	87	6
198287-62810	105	8
198287-65110	92	16
198287-65120	92	17
198287-65570	92	24
198287-65780	92	34
198287-80090	100	17
198287-82610	101	25
198287-82630	101	26
198287-83110	102	8
198287-83150	102	11
198287-83160	102	12
198287-83340	102	13
198287-83610	103	7
198287-83640	103	10
198287-84100	104	1
198287-84170	117	6
198287-84280	100	18

PARTS No. INDEX

PARTS No.	Fig.	Ref.No.
198287-84290	100	19
198287-84540	105	11
198287-85320	108	12
198287-85450	108	13
198287-85460	108	14
198287-85480	104	2
198287-85490	104	3
198287-85550	108	15
198287-85570	108	17
198287-85590	108	19
198287-85610	108	22
198287-85620	108	24
198287-85650	108	26
198287-85830	109	3
198287-86100	119	1
198287-86260	108	27
198287-86350	108	28
198287-86570	114	22
198287-88000	117	14
198287-88030	117	15
198287-88080	117	49
198287-88150	117	28
198287-88180	117	31
198287-88200	117	36
198287-88210	117	55
198287-88220	117	56
198287-89500	2	5
198290-32750	51	2
198291-13240	10	3
198310-27370	57	14
198327-53280	82	16
198327-57200	75	8
198330-48410	69	6
198360-03260	22	2
198360-03270	22	3
198360-52160	75	12
198360-74670	97	8
198360-86840	69	11
198421-65030	82	33
198431-47340	68	6
198435-45410	63	17
198448-33390	76	4
	77	4
198448-37360	57	5
		8
198448-37450	49	8
	57	16
198448-38400	59	4
198448-56150	79	7
198448-61620	1	37

PARTS No.	Fig.	Ref.No.
198451-28750	43	20
198460-83350	88	10
	91	6
	101	39
	102	14
	103	6
	108	8
		9
	119	3
198461-52950	1	2
	72	2
	73	2
	75	7
		27
	113	2
198461-60590	47	5
	76	16
	82	18
		19
	84	8
	86	3
	108	3
		4
		7
	112	7
	119	2
198463-65610	110	1
198463-65620	110	2
198463-82350	101	13
198463-82550	101	21
198463-83760	102	21
198463-86260	119	6
198463-87630	117	12
198475-32660	20	6
	51	5
198475-37690	47	4
198492-82150	101	4
198492-82590	101	24
198535-52110	72	5
	73	5
198535-52120	72	6
	73	6
198535-52130	72	7
	73	7
198535-52140	72	8
	73	8
198535-62780	12	4
198535-86340	114	7
198535-86450	114	4 A
198535-86460	114	4 B
198550-86540	114	12

PARTS No.	Fig.	Ref.No.
198550-86570	114	14
198550-86590	114	13
1A1040-28470	28	8
1A6030-47880	23	12
1A6150-91251	93	5
1A6150-93151	93	6
1A6640-65510	92	3
1A6640-65530	92	4
1A6641-65470	92	26
1A6660-24250	29	1
	69	25
1A6750-29850	63	10
		11
1A6780-46160	65	5
1A6780-46170	65	6
1A7000-15720	22	23
1A7000-52820	72	18
	73	18
1A7030-86651	114	23
1A7030-86870	117	9
1A7030-86980	117	17
1A7030-87040	117	18
1A7030-87240	117	37
1A7030-87250	117	38
1A7030-87260	104	6
1A7030-87270	117	39
1A7030-87280	117	40
1A7030-87290	117	41
1A7030-87300	117	42
1A7030-87310	117	43
1A7030-87320	115	2
		6
1A7030-87330	117	44
1A7030-87340	117	45
1A7030-87350	117	46
1A7030-87360	117	47
1A7030-87411	115	9
1A7030-87650	116	4
1A7030-87720	117	13
1A7030-87790	117	24
		30
1A7030-87970	117	26
1A7030-87990	117	27
1A7030-88070	117	48
1A7030-88090	117	50
1A7030-88130	117	51
1A7030-88140	117	52
1A7030-88150	117	53
1A7030-88170	117	54
1A7030-88250	117	57

PARTS No.	Fig.	Ref.No.
1A7030-88680	117	59
1A7030-88710	2	1
	117	35
		58
1A7100-26850	34	16
1A7100-53100	82	6
1A7100-53130	82	7
1A7100-53140	82	8
1A7100-53220	76	7
		12
	77	6
		10
1A7100-53230	76	13
	77	11
1A7100-53400	78	4
1A7100-53420	78	5
1A7100-64110	91	2
	109	2
1A7260-46640	63	78
1A7260-46650	63	79
1A7260-60890	82	20
1A7320-61140	114	19
1A7320-82400	101	14
1A7320-82440	101	15
1A7320-82510	101	18
1A7320-82520	101	20
1A7320-82570	101	22
1A7320-82580	101	23
1A7320-82650	101	28
1A7320-82660	101	30
1A7320-82710	101	34
1A7320-82720	101	35
1A7320-82750	101	36
1A7320-82760	101	37
1A7320-82770	101	38
1A7320-84650	105	12
1A7320-86300	114	4
1A7335-52120	75	13
1A7336-47590	66	4 -1
1A7400-29260	45	4
1A7400-29310	45	5
1A7400-29330	45	6
1A7400-29340	45	7
1A7400-29350	45	8
1A7400-29360	45	9
1A7400-29370	45	10
1A7400-29380	45	11
1A7400-29390	45	12
1A7400-29420	45	25
1A7400-29430	45	13

PARTS No. INDEX

PARTS No.	Fig.	Ref.No.
1A7400-29450	45	24
1A7400-29460	45	14
1A7400-29470	45	15
1A7400-29480	45	16
1A7400-29660	45	17
1A7400-29670	45	18
1A7400-29730	45	19
1A7400-29790	45	20
1A7400-29800	45	21
1A7400-29810	45	22
1A7550-91900	72	28 F
	73	28 F
1A8070-74670	97	8 -1
1A8115-11210	9	10 -1
1A8115-11220	9	11 -1
1A8115-61620	84	3 -1
1C1011-33990	101	7
1C6053-26020	89	1
	105	6
1C6280-62240	68	20
1C6281-52310	67	8
	102	2
	103	1
1C6281-52320	57	19
	58	16
1C6360-65700	40	13
		14
	59	10
		11
1C6560-15071	56	2
1C6720-47170	45	51
1C6900-23020	18	3
1C6900-23120	19	10
1C6900-23150	19	11
1C6920-36260	79	5
1C7100-08150	80	1
1E6102-83230	74	7
1E6102-84970	5	19
1E6190-54080	14	2
1E6191-54330	43	11
1E6440-54430	34	10
1E6680-66470	69	10
1E6760-74150	89	4
	105	10
1E8050-05510	6	1
	7	4
1E8545-80080	117	16
		29
1E8770-81320	75	23 -1
1S6489-63330	42	3

PARTS No.	Fig.	Ref.No.
1S6489-63330	42	8
41812-011980	118	1
794130-71410	97	1
933147-10350	35	35

PARTS No.	Fig.	Ref.No.
-----------	------	---------

PARTS No.	Fig.	Ref.No.
-----------	------	---------



YANMAR CO.,LTD.